

# KOHLER® POWER SYSTEMS

## INSTALLATION INSTRUCTIONS

### Remote Voltage Regulator Kit PA-227892 4/5CKMR/7CCKMR Mobile Generator Sets

The remote voltage regulator kit was designed to update the PBIII voltage regulator with the PBV unit. Observe the following safety precautions while installing the kit.



#### Accidental starting.

#### Can cause severe injury or death.

Disconnect battery cables before working on generator set (negative lead first and reconnect it last).

**Accidental starting can cause severe injury or death.** Disconnect battery cables (remove negative lead first and reconnect it last) to disable generator set before working on any equipment connected to generator. The generator set can be started by remote start/stop switch unless this precaution is followed.

<b>⚠ WARNING</b>	
<b>Hazardous voltage.</b>	<b>Moving rotor.</b>
<b>Can cause severe injury or death.</b>	
Do not operate generator set without all guards and electrical enclosures in place.	

**Hazardous voltage can cause severe injury or death.** The heat sink of the voltage regulator contains high voltage. Do not touch voltage regulator heat sink when testing or electrical shock will occur.

**Hazardous voltage can cause severe injury or death.** Short circuits can cause bodily injury and/or equipment damage. Do not contact electrical connections with tools or jewelry while adjustments are made. Remove wristwatch, rings, and jewelry that can cause short circuits.

## INSTALLATION

1. Move the controller Start/Stop switch to STOP. Disconnect the battery cables, negative lead first.
2. Allow the engine to cool completely.
3. Remove the two screws that hold the PBIII voltage regulator to the end plate.
4. Discard the PBIII voltage regulator.
5. Locate a place to mount the PBV voltage regulator within an area that will allow the five-foot long wiring harness to reach the six-pin connector on the generator set without being strained in any way.
6. Mount the voltage regulator using customer-supplied hardware. Route the wiring harness away from any object that could potentially cut or burn it.
7. Connect the lead end of the wiring harness to the voltage regulator. Refer to Figure 1. Use Figure 2 for proper wiring lead numbers.
8. Place the six-pin plug on the other end of the wiring harness to the six-pin connector mounted on the generator set.
9. Connect the single lead from the PBV voltage regulator to L2 or generator lead 8.

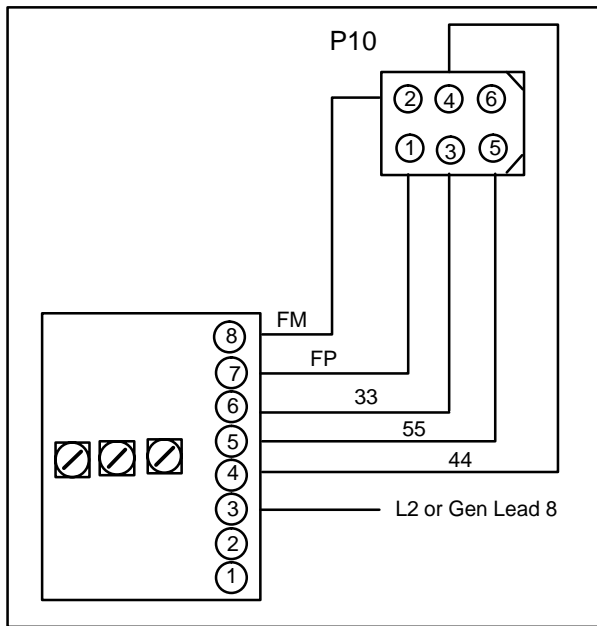
#### NOTE

Connect this lead to the hot side of the circuit breaker.

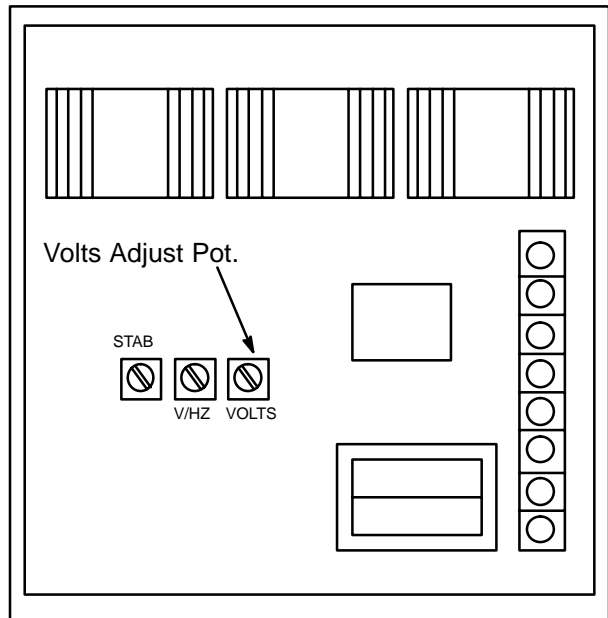
10. Remove the 5-amp regulator fuse and replace it with the 10-amp fuse located in the kit (223316).
11. Reconnect the battery, negative lead last.
12. Start the generator set. Rotate the voltage adjustment pot. clockwise (increase voltage) or counterclockwise (decrease voltage) until the desired output is achieved. No adjustment is needed on the Volts/Hz pot. See Figure 3.
13. Use the five supplied screws to install the voltage regulator cover.

<b>Wiring Lead Numbers</b>	
<b>Wire ID</b>	<b>Voltage Regulator Terminal Number</b>
44	4
55	5
33	6
FP	7
FN	8
Single Lead	L2 or Gen. lead 8

**Figure 2. Wiring Lead Numbers**



**Figure 1. Voltage Regulator Wiring**



**Figure 3. Voltage Adjust for PBV**

<b>Parts List</b>			
<b>PA-227892</b>			
<b>Qty.</b>	<b>Description</b>	<b>Part Number</b>	
1	Regulator Assembly	A-227889	
5	Screw, Philips hex crimp	X-6216-1	
1	Cover, voltage regulator	227888	
1	Harness, wiring	227891	
1	Fuse, 10 amp	223316	