



### Remote Start Panel Assembly

Kit No.	Generator Set Model
A-269299	All RV Models

The remote panel assembly is provided for mounting wherever convenient inside the motor home. A qualified or certified electrician should do the required installation.

#### Installation

#### WARNING

Unintentional Cranking! Disconnect starting battery cables (negative lead first) to prevent unintentional cranking while working on unit.

#### WARNING

Lead-Acid Starting Battery, Dangerous Battery Acid, Explosive Hydrogen Gas! Use extreme care when working around or handling starting battery. Wear protective gloves and clothing and wear eye protection. Do not short circuit battery connections with tools or any other metal objects. Burns and explosion may result. Keep away from sparks, fire or flame. No smoking. Remove wristwatch, rings and any other jewelry before connecting charger. If acid splashes on eyes or skin, flush affected areas with cold water for 15 minutes. In case of eye contact, get immediate medical attention.

1. Make cutout for panel assembly using template in figure 1. The panel requires a depth recess of 2½ inches.
2. Insert the remote panel into the cutout. Attach with two screws (X-798-1).
3. Make final connection between remote panel and six-pin connector on controller with a Kohler 15, 30 or 40 foot harness. For applications where connectors cannot be used see wiring diagram.
4. Reconnect battery, positive lead first.

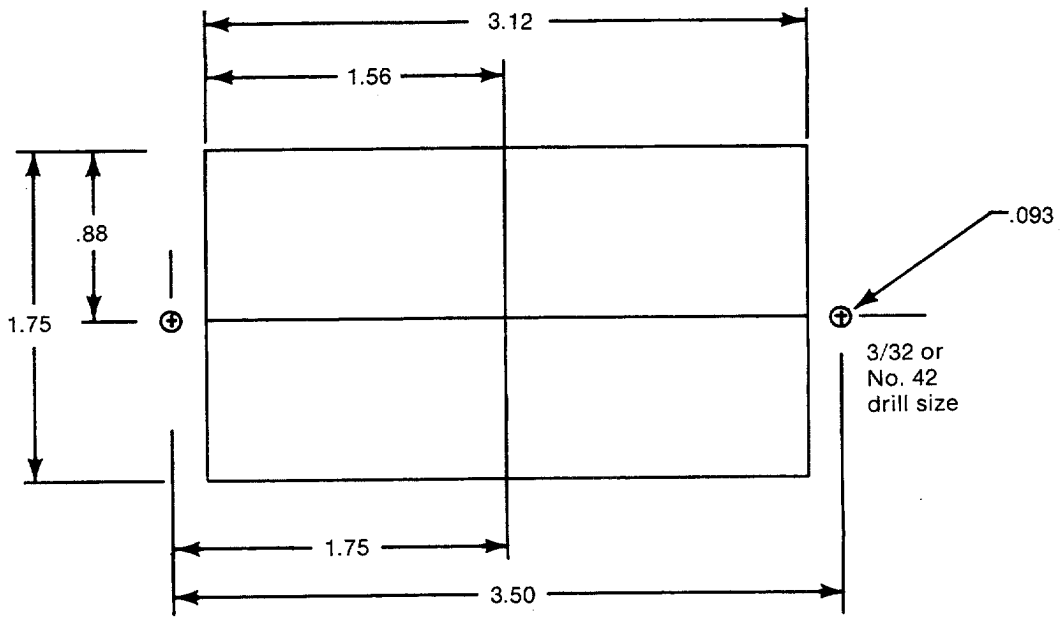


Figure 1. Template

