



Air Intake Duct Kit PA-278151 For 7kW-RV (Kohler K582QS Engine)

This kit is designed to improve generator set operation in hot weather applications. The addition of the air intake duct allows for cooler combustion air to enter carburetor from the compartment door opening. See Figure 1 and use the following instructions to install kit.

⚠ WARNING

UNIT STARTS WITHOUT NOTICE! To prevent accidental starting on units with a remote start/stop switch, always disconnect battery (remove negative lead first and reconnect it last) to disable generator set before working on any equipment connected to generator.

CAUTION

For optimum cold-air intake, the opening of the air duct must be in close proximity (about 1/2 in. [13 mm]) to the compartment door screen. Otherwise, hot air radiated from the generator set will be drawn into the carburetor. If distance exceeds 2 in. (51 mm), it will require fabrication of a duct system to reach the screen for proper outside cold-air induction.

INSTALLATION

1. Disconnect battery, negative lead first.
2. Remove air cleaner wing nut, cover, and element.

3. Align air intake duct under air cleaner base with duct pointing toward compartment door. Mark hole locations on base. Center-to-center distance is 3 in. (76 mm).
4. Remove four screws and lift off base. Drill two .281 in. (5.5 mm) diameter holes in base and deburr holes.
5. Remount base using four screws.
6. Mount air intake duct to base using two screws and lock washers.
7. Reinstall element, cover, and wing nut.
8. Check alignment of compartment door opening to air intake duct. Air intake duct must be facing compartment door screen; otherwise, an opening at least equal to the air duct opening about 3 1/4 in. x 7/8 in. (83 mm x 2 mm) must be cut in the compartment door.
9. Reconnect battery, negative lead last.

PARTS LISTING

Part No.	Description	Quantity
X-19-1	Washer, #10 Lock	2
X-50-21	Screw, #10-32 x 5/16"	2
278132	Duct, Air Intake	1

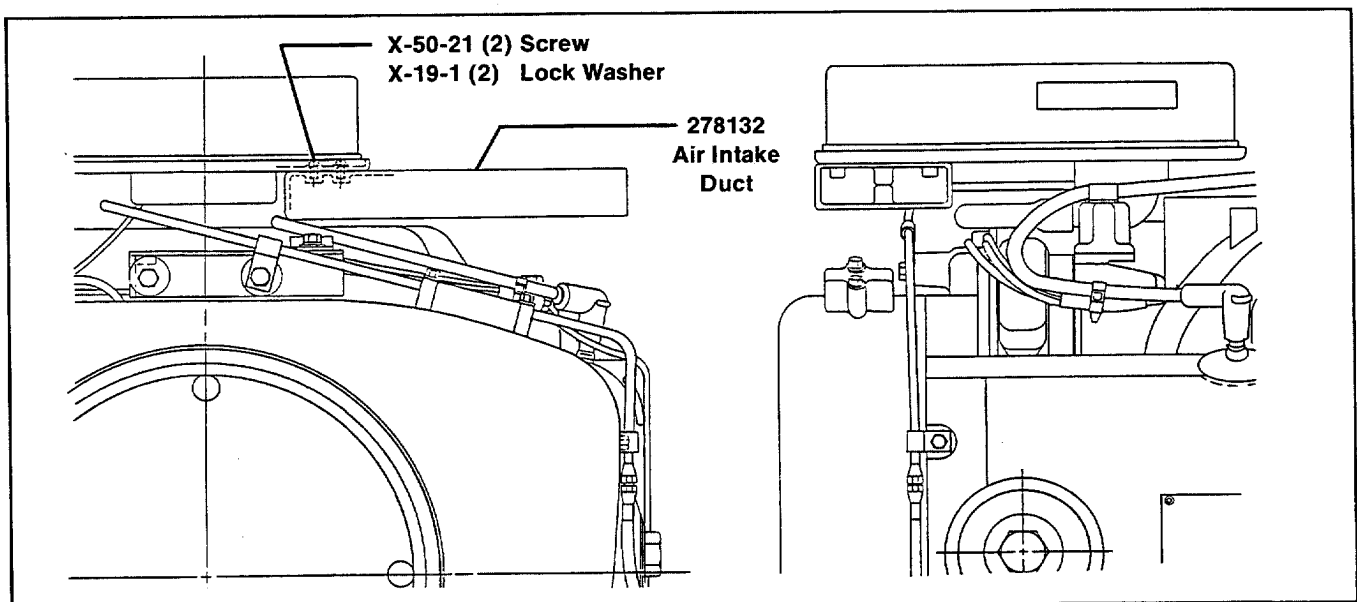


Figure 1. Mounting Air Intake Duct