



Remote Start Panel PAB-249685
9CCO/12.5CCO/14.5CCO
RV Generator Sets

Allows starting/stopping and preheating from a location remote of the generator set. Placing the switch in the STOP/PREHEAT position will allow the preheat feature to function. Generator set comes equipped with a 6-pin connector on controller back panel for connection of the kit. See Figure 1 for panel features.

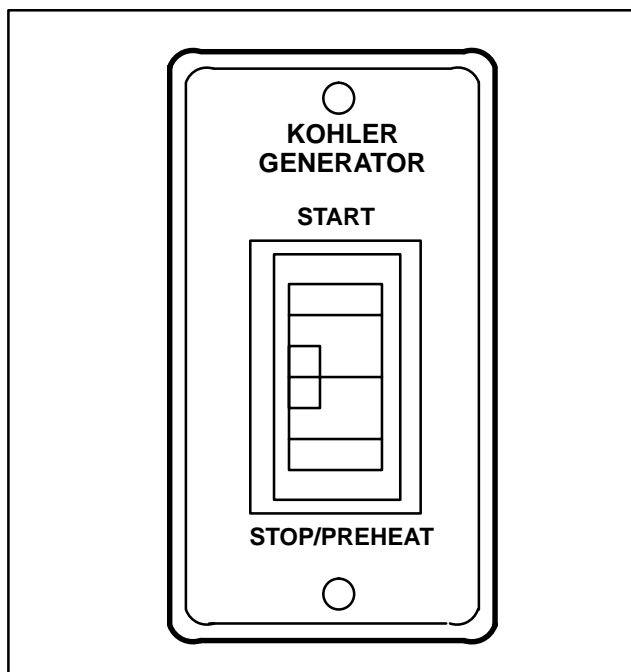


Figure 1. Panel Features

Start/Stop Switch: Rocker-type switch with “ON” light used to start and stop generator set.

Preheat Feature: The exact temperature where use of the preheater is necessary is subject to many variables. Generally, use of the preheater is necessary at temperatures below 40° F (4° C) when the engine turns over rapidly and exhausts white

smoke during an unsuccessful starting attempt. To activate preheater, place the switch in the STOP/PREHEATER position for 15 to 20 seconds. Release switch and initiate starting procedure.

NOTE

This kit is not compatible with early generator sets which are not equipped with the controller connector.

NOTE

This kit requires the use of PA-249687 (15 ft. [4.6 m]) or PA-249686 (25 ft. [6.3 m]). Use no more than a total of four remote harness kits.



Accidental starting can cause death or serious personal injury. Disconnect battery cables (remove negative lead first and reconnect it last) to disable generator set before working on any equipment connected to generator. The generator set can be started by remote start/stop switch unless this precaution is followed.

INSTALLATION

1. Determine where in the coach the remote start panel is to be mounted. This decision will be limited by the length of the wiring harness and the size (including mounting depth) of the panel.

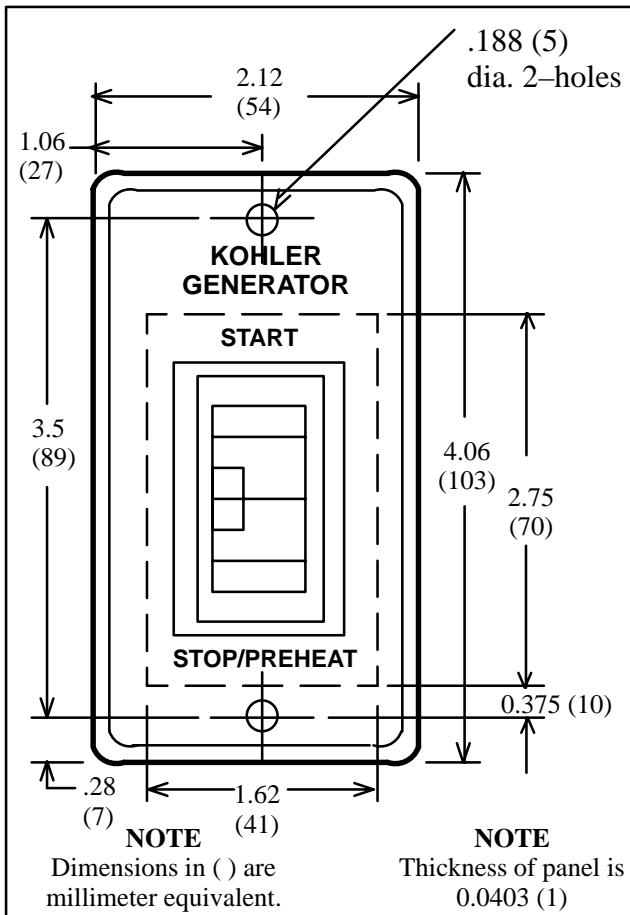


Figure 2. Mounting Dimensions

NOTE

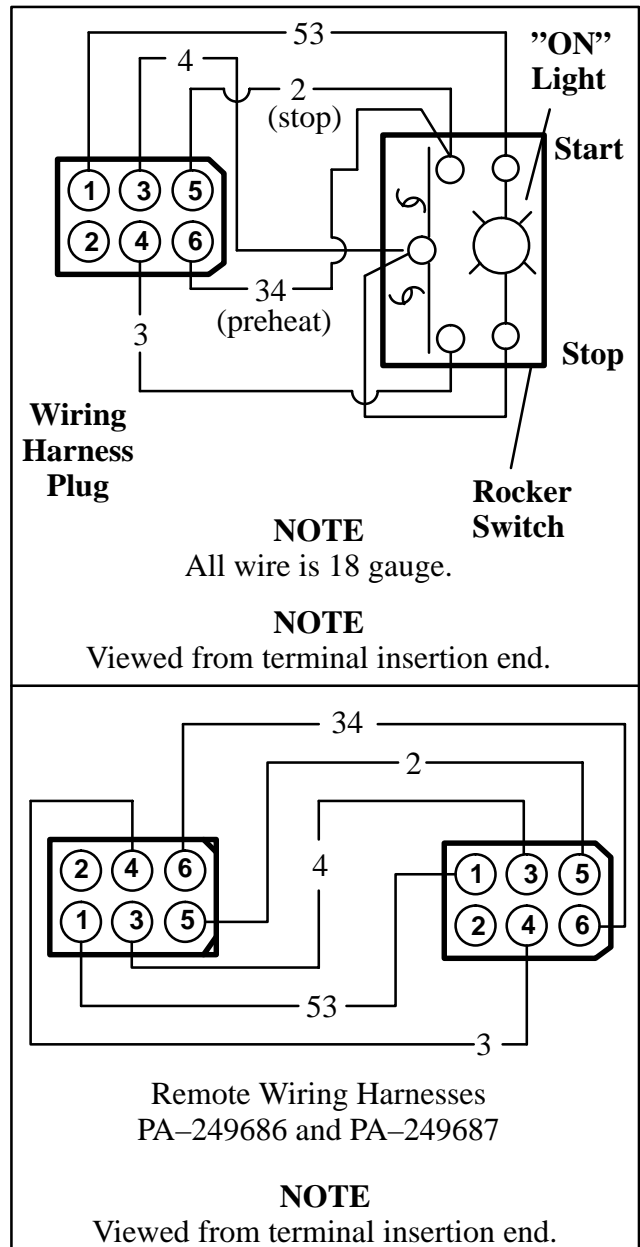
If additional wiring is needed, order Remote Extension Kits. Use no more than a total of four remote harness kits.

- See Figure 2 for mounting dimensions. The minimum mounting clearance beyond the panel is 2-1/4 in. (57 mm). Mount panel using two screws (not supplied).
- Connect Remote Harness to Start Panel connector and then to generator set controller. See Figure 3 for electrical connections.

NOTE

Use rubber grommets and cable ties as necessary to protect and secure wiring harness.

- Remove jumper and connect diode (233959) to controller terminals 1 and 2 as shown in Figure 4. Use leads (LB-1803-5722) when installing diode.



NOTE

All wire is 18 gauge.

NOTE

Viewed from terminal insertion end.

NOTE

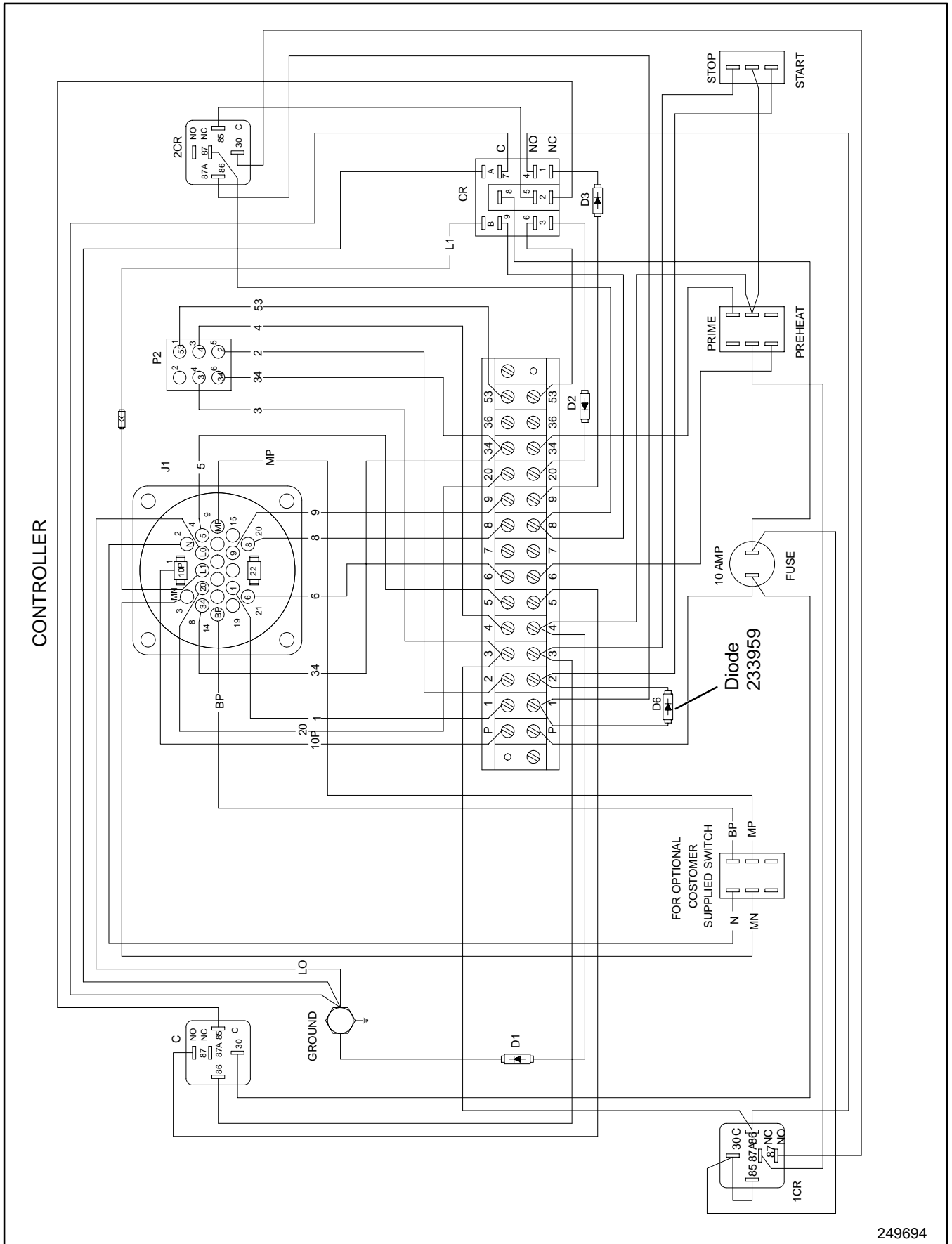
Viewed from terminal insertion end.

Figure 3. Remote Control Panel Wiring

- Start/stop generator set using controller switch and remote switch. STOP generator set.

Parts Listing

Description	Qty.	Part Number
Lead	2	LB-1803-5722
Diode, 6 amp, 100 volt	1	233959
Remote Panel Assembly (Includes *)	1	B-249685
*Panel, remote (plate)	1	260105
*Connector, plug	1	269190
*Switch, rocker	1	269296



CONTROLLER

Figure 4. Diode Installation