



Remote Start Panel PAA-239419 RV Generator Sets

Allows starting/stopping from a location remote of the generator set. Kohler generator sets typically come with either a 4-pin (four square) or 6-pin (in-line) connector on generator set controller for connection of the kit.

Panel includes generator running time hourmeter and wiring harness plug for connection to generator set panel connector or extension harness. PAA-239419 has a 8 in. (203 mm) wiring harness. See Figure 1 for panel features.

For a list and description of available wiring harness extensions and adapters, see Figure 4.

Start/Stop Switch: Rocker-type switch with "ON" light used to start and stop generator set.

Hourmeter: Records total generator set operating hours for reference in maintenance scheduling.

NOTE

If this kit is installed on an existing unit which already has an hourmeter, the existing hourmeter will have accumulated hours and therefore, be different that the remote panel kit. Be sure to use the same hourmeter each time when scheduling maintenance.

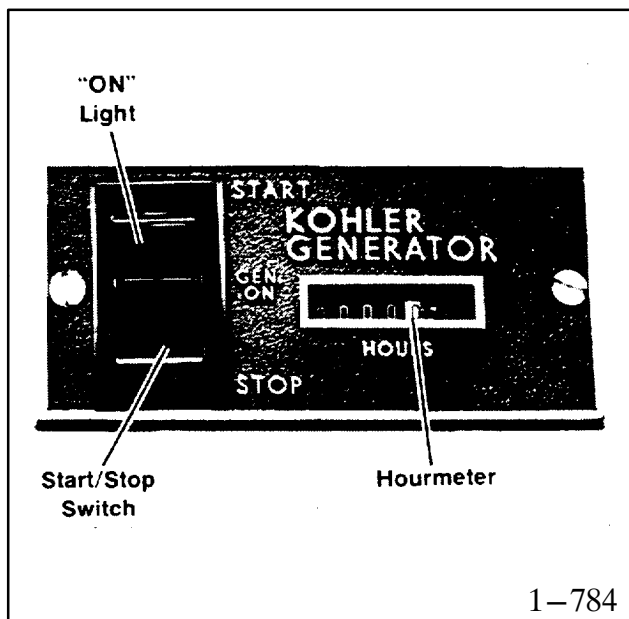


Figure 1. Panel Features



Accidental starting can cause death or serious personal injury. Disconnect battery cables (remove negative lead first and reconnect it last) to disable generator set before working on any equipment connected to generator. The generator set can be started by remote start/stop switch unless this precaution is followed.

INSTALLATION

1. Disconnect battery, negative lead first.
2. Determine where in coach remote panel is to be mounted. This decision will be limited to the size (including mounting depth) of the panel.

3. See Figure 2 for mounting dimensions. The minimum clearance beyond the panel is 2-5/16 in. (59 mm). For electrical connections, see Figure 3.
4. Select proper wiring harness to connect remote panel and generator set. See Figure 4. Use rubber grommets and cable ties, as necessary, to protect and secure wiring harness. Installation must conform to National Electrical Code (NEC).
5. Reconnect battery, negative lead last.
6. Start/stop generator set using controller switch and remote switch. Monitor hourmeter to see that it functions properly. STOP generator set.

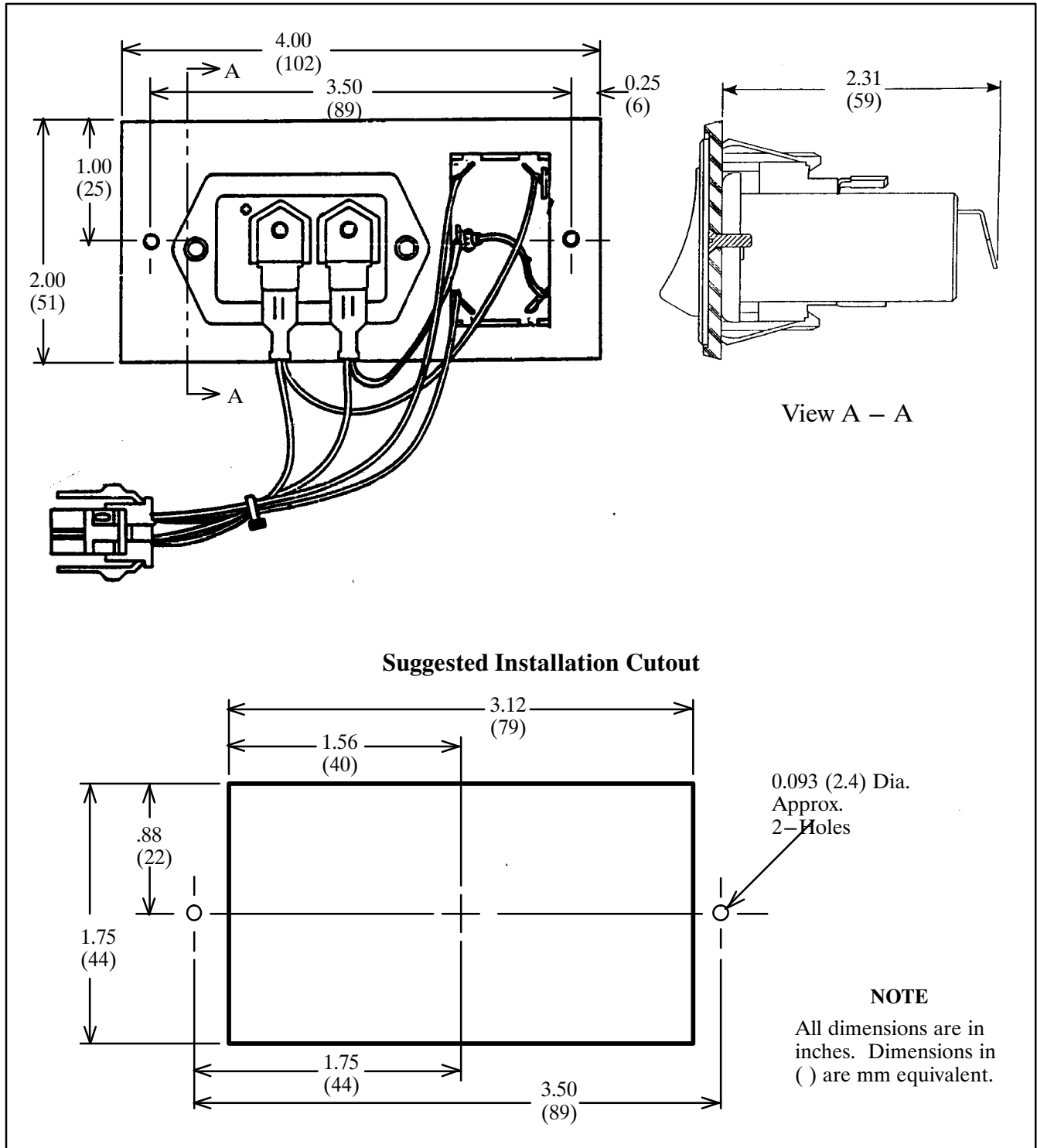


Figure 2. Mounting Dimensions

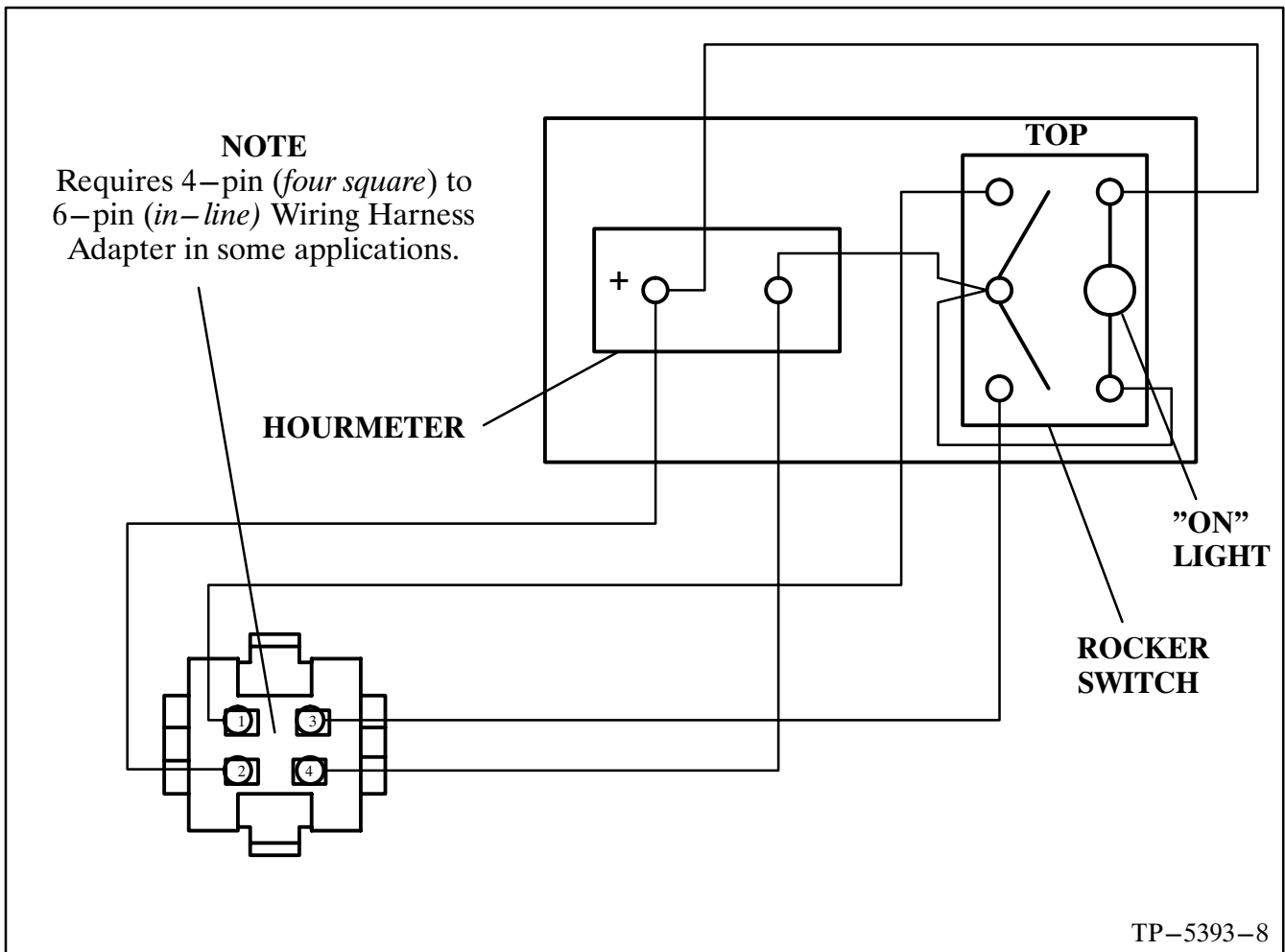
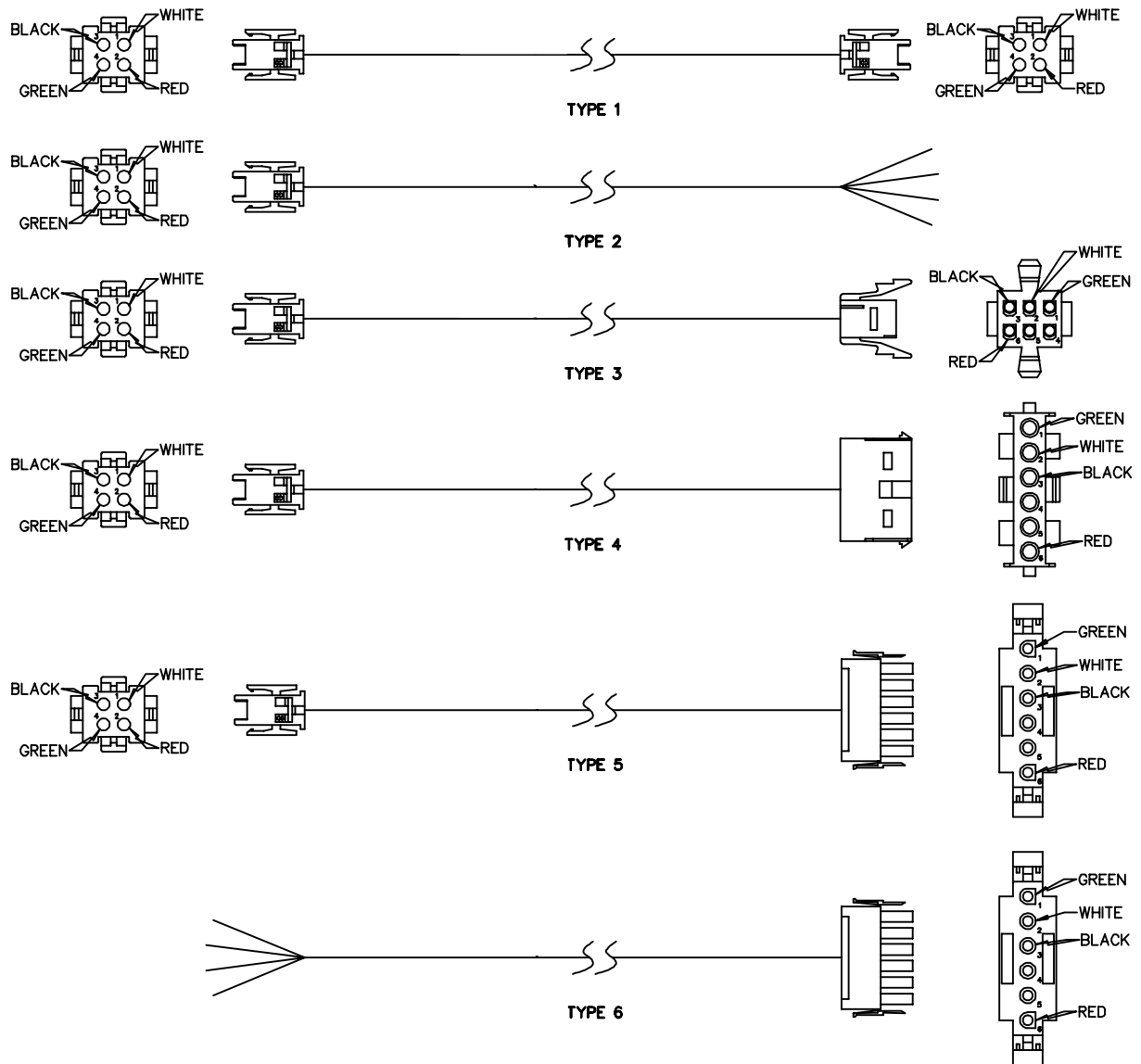


Figure 3. Electrical Connections

PARTS LISTING

Description	Qty.	Part No.
Panel assembly, switch	1	A-239419
Hourmeter	1	238736
Harness, 8 in. wiring	1	239418
Switch, rocker	1	269296
Panel, switch	1	269298
Screw, mounting	2	X-798-1



Part No.	Type	Cable Length
PA-239412	1	30 ft. (914 cm)
PA-239413	1	40 ft. (1219 cm)
PA-239414	1	15 ft. (457 cm)
PA-239430	2	1 ft. (30.5 cm)
PA-239433	3	3 ft. (91 cm)
PA-239436	2	3 ft. (91 cm)
PA-239439	2	5 ft. (152 cm)
PA-278371	4	1 ft. (30.5 cm)
PA-278372	4	3 ft. (91 cm)
PA-278681	6	1 ft. (30.5 cm)
PA-278682	5	3 ft. (91 cm)
PA-278728	5	30 ft. (914 cm)
PA-278729	5	40 ft. (1219 cm)
PA-278730	5	15 ft. (457 cm)

Figure 4. Available Wiring Harnesses