



INSTALLATION INSTRUCTIONS

Below-Floor-Mounting Tray Kits 4/5CKM-RV and 7CCKM-RV Confidant Generator Set (Non-Extended-Shaft Models)

Kit No.	Type
PA-278718	4/5CKM
PA-227840	4/5CKM, 7CCKM

The below-floor-mounting kit provides generator set installation underneath the vehicle floor. The vehicle must be adapted for the below-floor tray and must be constructed to support the weight of the generator set. It is the responsibility of the vehicle manufacturer and the installer to provide a structurally secure frame and provide mounting hardware to attach this kit.

The below-floor-mounting tray kits also permit slide tray installation. Whichever installation method is selected, allow sufficient room for the generator to be easily removed if major service is required. During installation observe the minimum clearances and safety precautions listed below and in the Operation and Installation Manuals (TP-5393 for the 4/5CKM and TP-5571 for the 7CCKM).

Front	0.6 in. (15.2 mm)
Side	0.6 in. (15.2 mm)
Top	0.6 in. (15.2 mm)
Rear	0.6 in. (15.2 mm)

Minimum Clearance Requirements



⚠ WARNING

Accidental starting.

Can cause severe injury or death.

Disconnect battery cables before working on generator set (negative lead first and reconnect it last).

Accidental starting can cause severe injury or death. Disconnect battery cables (remove negative lead first and reconnect it last) to disable generator set before working on any equipment connected to generator. The generator set can be started by remote start/stop switch unless this precaution is followed.


⚠ WARNING



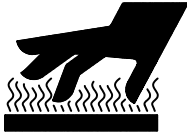
Hot engine and exhaust system. Can cause severe injury or death.

Do not work on generator set until unit is allowed to cool.

Hot parts can cause severe injury or death. Do not touch hot engine parts. An engine gets hot while running and exhaust system components get extremely hot.

⚠ WARNING

<p>Fire. Can cause severe injury or death.</p> <p>Do not smoke or permit flame or spark to occur near fuel or fuel system.</p>

A flash fire can cause severe injury or death. Do not smoke or permit flame or spark to occur near carburetor, fuel line, fuel filter, fuel pump, or other potential sources of spilled fuel or fuel vapors. When removing fuel line or carburetor, use a proper container to catch all fuel.

⚠ WARNING

<p>Hot engine and exhaust system. Can cause severe injury or death.</p> <p>Do not work on generator set until unit is allowed to cool.</p>

Fire can cause severe injury or death. Hot generator can ignite debris in compartment. Keep the compartment and generator set clean and free of debris and combustible materials to minimize chances of fire. Do not block fuel/oil drain opening in generator mounting tray. If sub-flooring is used, cut a corresponding hole in the sub-flooring for drain opening.

INSTALLATION

1. Prior to installation of the kit, the generator set must be removed from the coach. Disconnect the battery of the generator set, negative lead first. Disconnect the fuel line, exhaust system, and load leads.
2. Remove the mounting hardware securing the generator tray to the compartment frame or floor. Depending on the installation, a hoist or lift may be necessary to support the generator during removal of the mounting hardware.
3. Using a hoist or lift, remove the generator set from the support structure.
4. Align the mounting holes in the new tray (A-278717 or A-227839) with those holes in the tray already attached to the generator set. Secure the new tray directly to the existing tray with screws (X-6238-10) and washers (X-25-37). See Figure 1.
5. Reconnect the battery, negative lead last. Reconnect the exhaust system, fuel line, and load leads.
6. Check for proper operation of the generator set. The generator must be securely mounted to avoid unwanted movement from vibration and road shock.

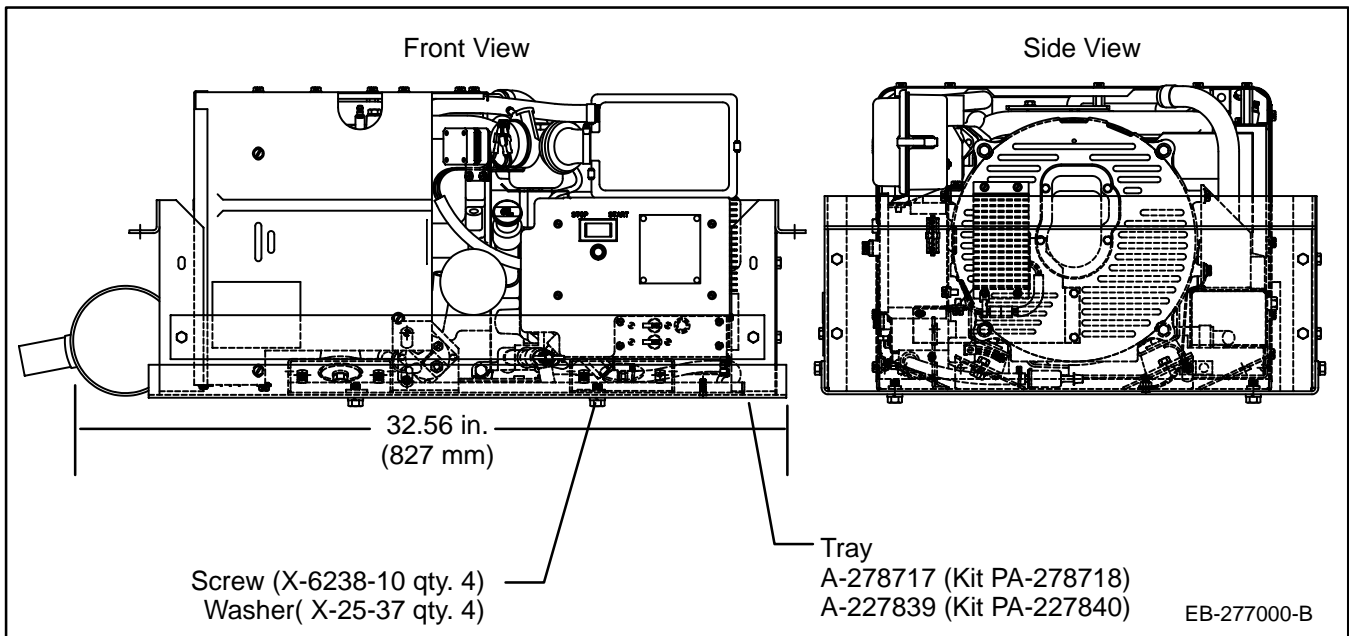


Figure 1. Kit Installation

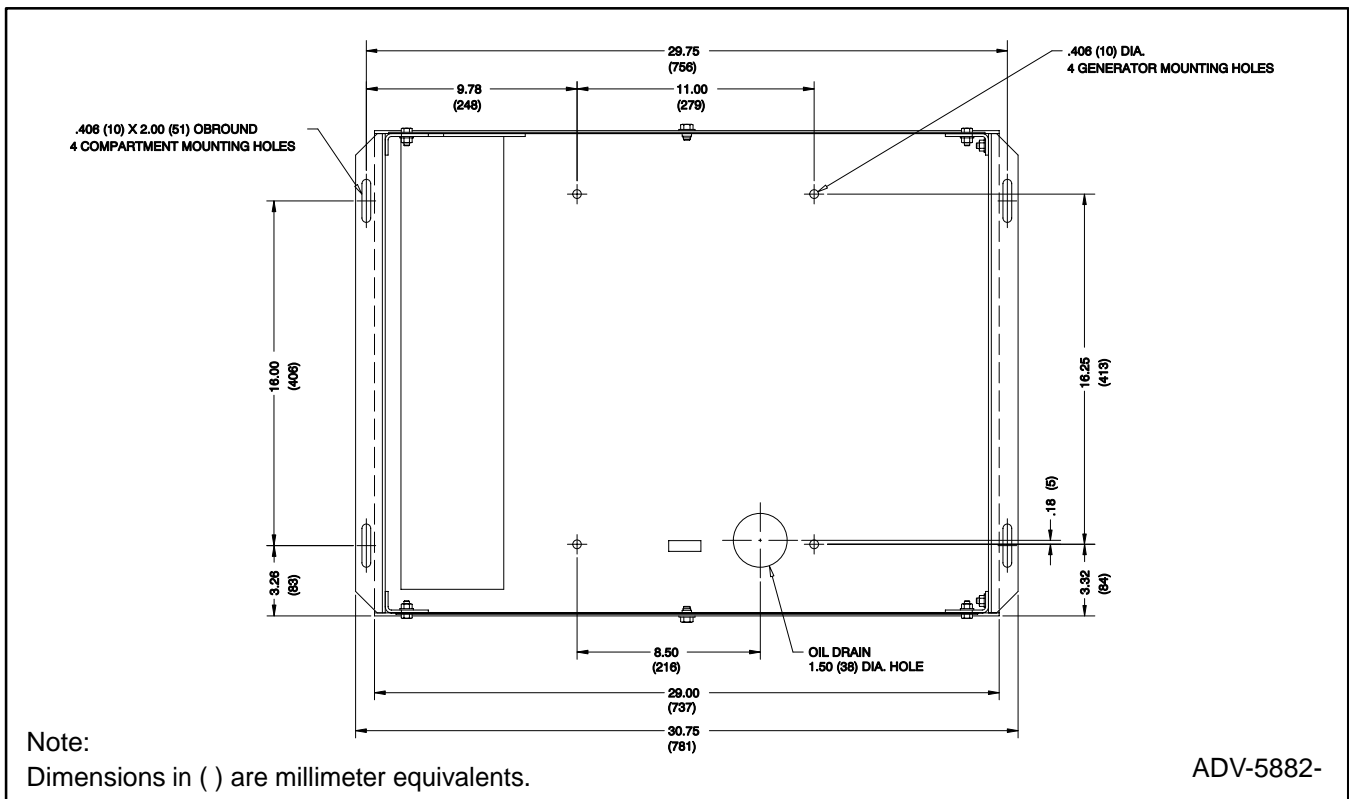


Figure 2. Mounting Hole Dimensions

Parts List for Kit PA-278718

Description	Qty.	Part No.
Washer, 3/8"	4	X-25-37
Screw, H.C. 3/8 16 x 3/4	4	X-6238-10
Tray	1	A-278717

Parts List for Kit PA-227840

Description	Qty.	Part No.
Washer, 3/8"	4	X-25-37
Screw, H.C. 3/8 16 x 3/4	4	X-6238-10
Tray	1	A-227839