



4CKM/5CKM and 7CCKM RV/Mobile Muffler Mounting Kits

KIT NUMBERS

Generator Set Above Floor:

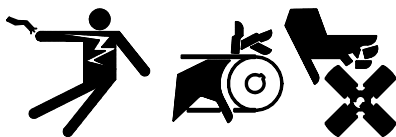
PA-278639/PA-227435 Right-Side Outlet
PA-278638/PA-227436 Left-Side Outlet

Generator Set Below Floor:

PA-278640/PA-278983 Front Outlet
PA-278641/PA-278984 Rear Outlet
PA-278761/PA-278985 Side Outlet
PA-278964/PA-278986 Center-Tap,
Bottom Outlet
PA-278998/PA-227431 Rear Outlet

The exhaust kits available for the 4/5 and 7kW RV and Mobiles are listed above. Because the length varies with most installations a tail pipe is not furnished with the kits. A tail pipe must, however, be installed to direct the exhaust gases beyond the perimeter of the vehicle. Use a tail pipe with gradual bend (not 90°) to avoid excessive back pressure and face tail pipe away from normal air stream. Position tail pipe end so that discharged exhaust gases may not be drawn into the vehicle's interior through windows, doors, air conditioners, etc.

WARNING

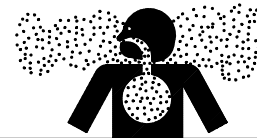


Accidental starting. **Can cause severe injury or death.**

Disconnect battery cables before working on generator set (negative lead first and reconnect it last).

Accidental starting can cause severe injury or death. Disconnect battery cables (remove negative lead first and reconnect it last) to disable generator set before working on any equipment connected to generator. The generator set can be started by remote start/stop switch unless this precaution is followed.

WARNING



Carbon monoxide. **Can cause severe nausea, fainting, or death.**

The exhaust system must be leakproof and routinely inspected.

Carbon monoxide can cause severe nausea, fainting, or death. Install exhaust system tail pipe so discharged exhaust gases will not be drawn into vehicle interior through windows, doors, air conditioners, etc. Do not use flexible tail piping since this type could crack and allow lethal exhaust fumes to enter the vehicle.

Carbon monoxide can cause severe nausea, fainting, or death. Never operate the generator set inside a building unless the exhaust gas is piped safely outside. Never operate in any area where exhaust gas could accumulate and seep back inside an occupied building or vehicle. Be careful when parking your vehicle to avoid obstructing the exhaust outlet. The exhaust gases must discharge freely, otherwise carbon monoxide may deflect into the vehicle. Avoid breathing exhaust fumes when working on or near the generator set. Carbon monoxide is particularly dangerous because it is an odorless, colorless, tasteless, nonirritating gas which can cause death if inhaled for even a short period of time.

NOTE

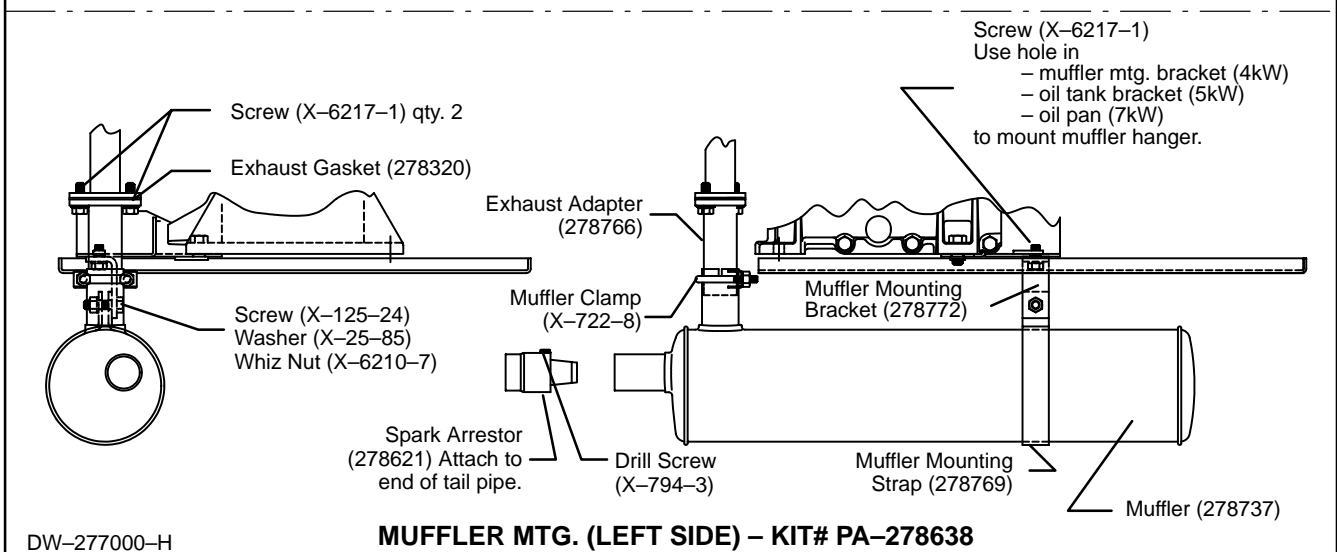
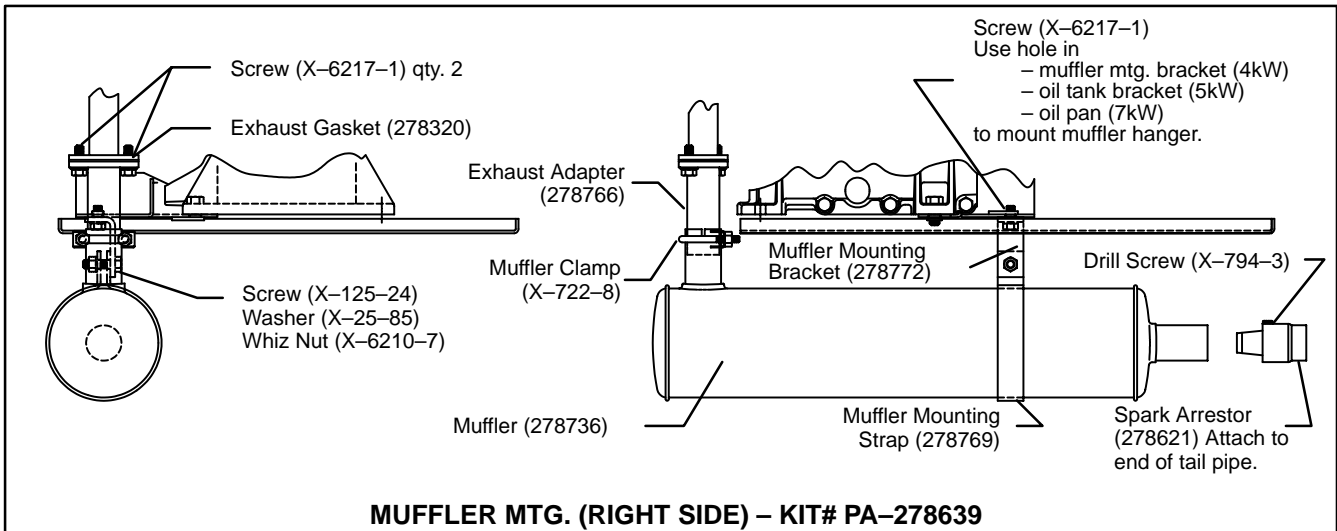
Make sure exhaust system components are position well away from the drain opening in the bottom of the mounting tray. Also make sure the components are not blocking access to the oil drain plug.

NOTE

Do NOT use flexible tail piping as this type could crack or break and allow lethal exhaust fumes to enter the vehicle.

PARTS LISTING FOR 4/5CKM & 7CKM MUFFLER KITS

Description	PA-278638	PA-278639
Hex Screw 5/16-18 x .625	X-6217-1 (3)	X-6217-1 (3)
H.C. Screw 5/16-18 x 1.25	X-125-24	X-125-24
Plain Washer .344 x .687 x .065	X-25-85	X-25-85
Whiz Nut 5/16	X-6210-7	X-6210-7
U-Clamp	X-722-8	X-722-8
Muffler Mtg. Strap	278769	278769
Muffler Mtg. Bracket	278772	278772
Drill Screw	X-794-3	X-794-3
Exhaust Gasket	278320	278320
Exhaust Adapter	278766	278766
Spark Arrester	278621	278621
Muffler	278737	278736

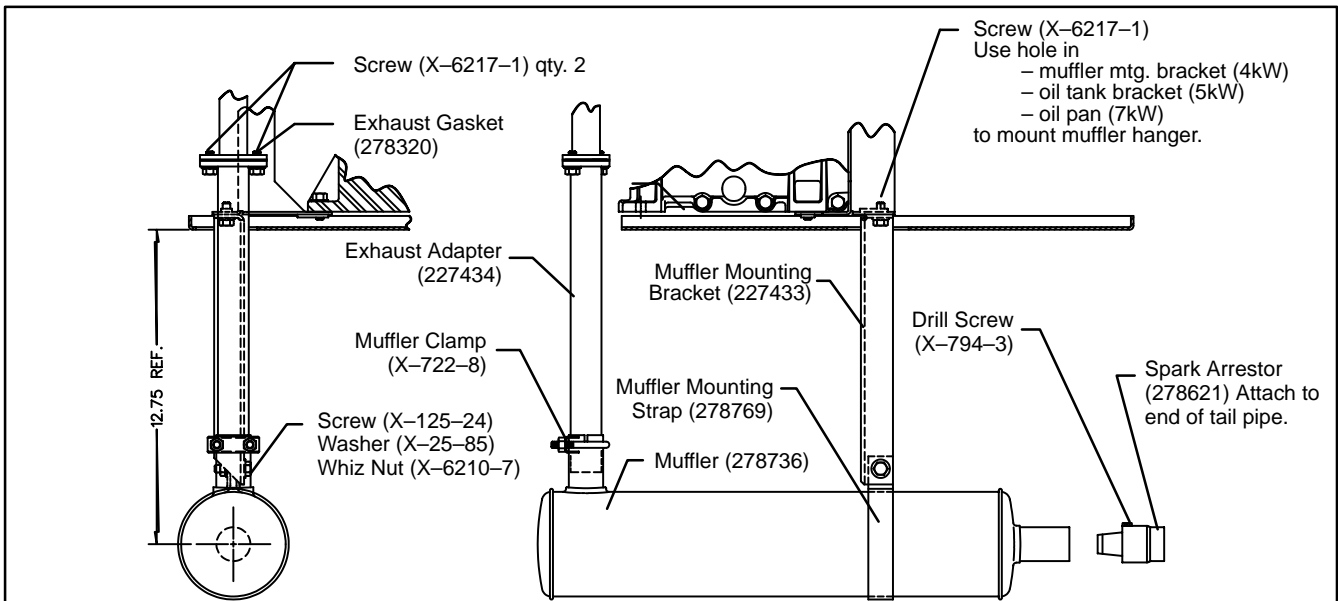


DW-277000-H

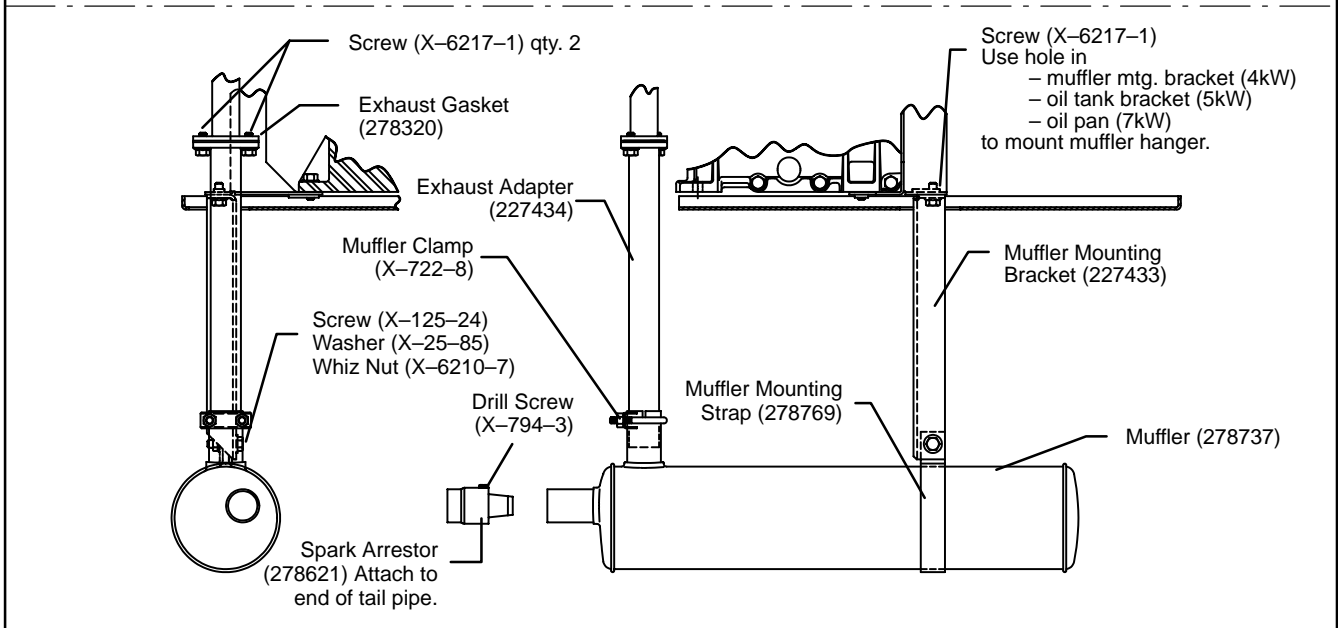
Figure 1. Exhaust Systems For 4/5 and 7kW Generator Sets Above Floor

PARTS LISTING FOR 4/5CKM & 7CCKM MUFFLER KITS

Description	PA-227435	PA-227436
Hex Screw 5/16-18 x .625	X-6217-1 (3)	X-6217-1 (3)
H.C. Screw 5/16-18 x 1.25	X-125-24	X-125-24
Plain Washer .344 x .687 x .065	X-25-85	X-25-85
Whiz Nut 5/16	X-6210-7	X-6210-7
U-Clamp	X-722-8	X-722-8
Muffler Mtg. Strap	278769	278769
Muffler Mtg. Bracket	227433	227433
Drill Screw	X-794-3	X-794-3
Exhaust Gasket	278320	278320
Exhaust Adapter	227434	227434
Spark Arrester	278621	278621
Muffler	278736	278737



MUFFLER MTG. (RIGHT SIDE) – KIT# PA-227435



MUFFLER MTG. (LEFT SIDE) – KIT# PA-227436

DW-277000-H

Figure 2. Exhaust Systems For 4/5 and 7kW Generator Sets Above Floor

PARTS LISTING FOR 4/5CKM MUFFLER KITS

Description	PA-278640	PA-278641	PA-278761	PA-278964	PA-278998
Hex. Screw 5/16-18 x .625	X-6217-1 (2)	X-6217-1 (2)	X-6217-1 (2)	X-6217-1 (2)	X-6217-1 (2)
Hex. Screw 1/4-20 x .625	X-6217-2 (2)	X-6217-2 (2)	X-6217-2 (2)	X-6217-2 (2)	X-6217-2 (2)
U Clamp	X-722-8	X-722-8	X-722-8	X-722-8	X-722-8
Drill Screw	X-794-3	X-794-3	X-794-3	X-794-3	X-794-3
Exhaust Gasket	278320	278320	278320	278320	278320
Exhaust Adapter	278524	278524	278524	278524	278524
Spark Arrester	278621	278621	278621	278621	278621
Muffler	278734	278735	278733	278963	278997

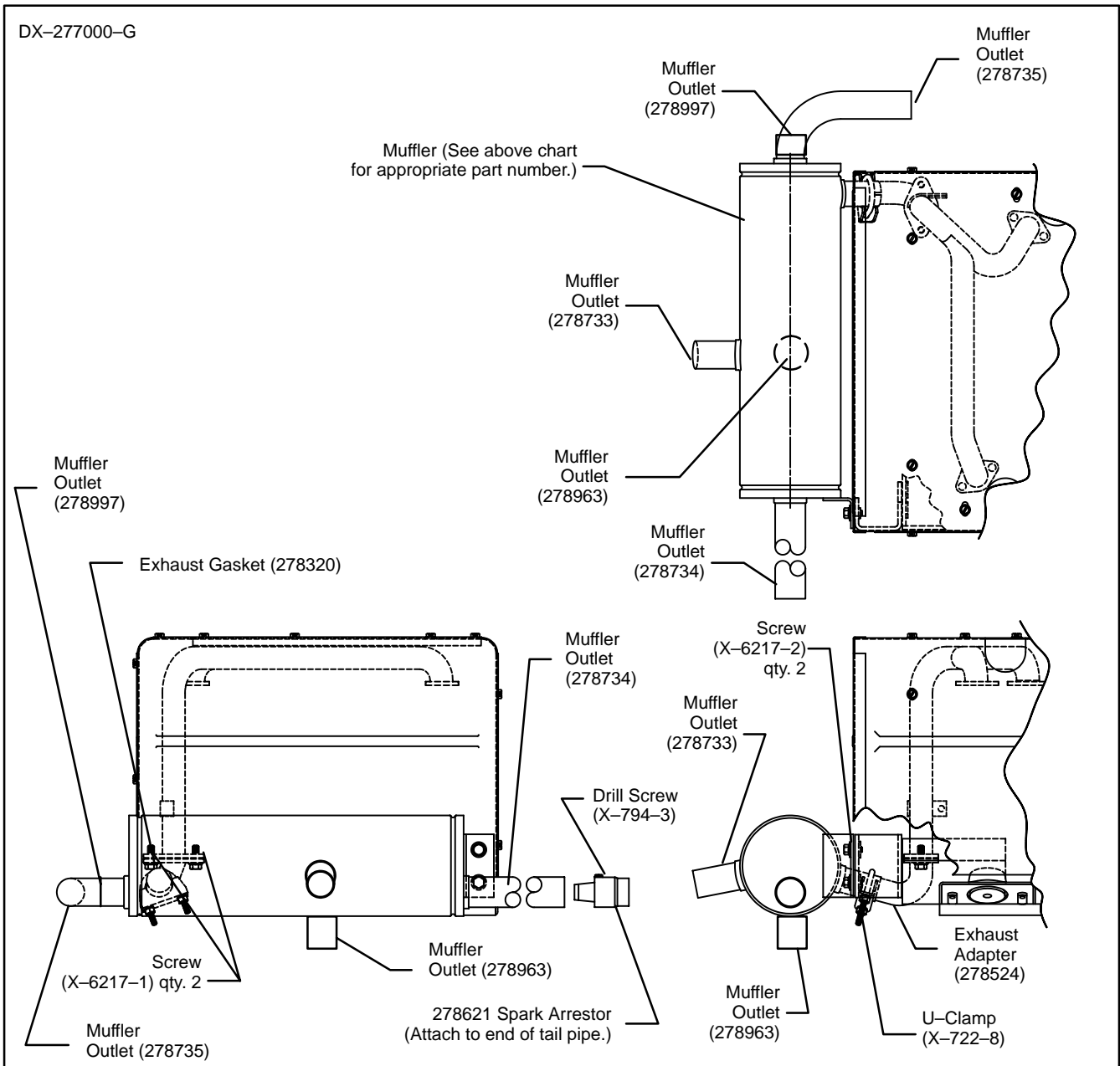


Figure 3. Exhaust Systems For 4 and 5kW Generator Sets Below Floor

PARTS LISTING FOR 7CCKM MUFFLER KITS

Description	PA-227431	PA-278983	PA-278984	PA-278985	PA-278986
Hex. Screw 5/16-18 x .625	X-6217-1 (2)	X-6217-1 (2)	X-6217-1 (2)	X-6217-1 (2)	X-6217-1 (2)
Hex. Screw 1/4-20 x .625	X-6217-2 (2)	X-6217-2 (2)	X-6217-2 (2)	X-6217-2 (2)	X-6217-2 (2)
U Clamp	X-722-8	X-722-8	X-722-8	X-722-8	X-722-8
Drill Screw	X-794-3	X-794-3	X-794-3	X-794-3	X-794-3
Exhaust Gasket	278320	278320	278320	278320	278320
Exhaust Adapter	278979	278979	278979	278979	278979
Spark Arrester	278621	278621	278621	278621	278621
Muffler	278997	278734	278735	278733	278963

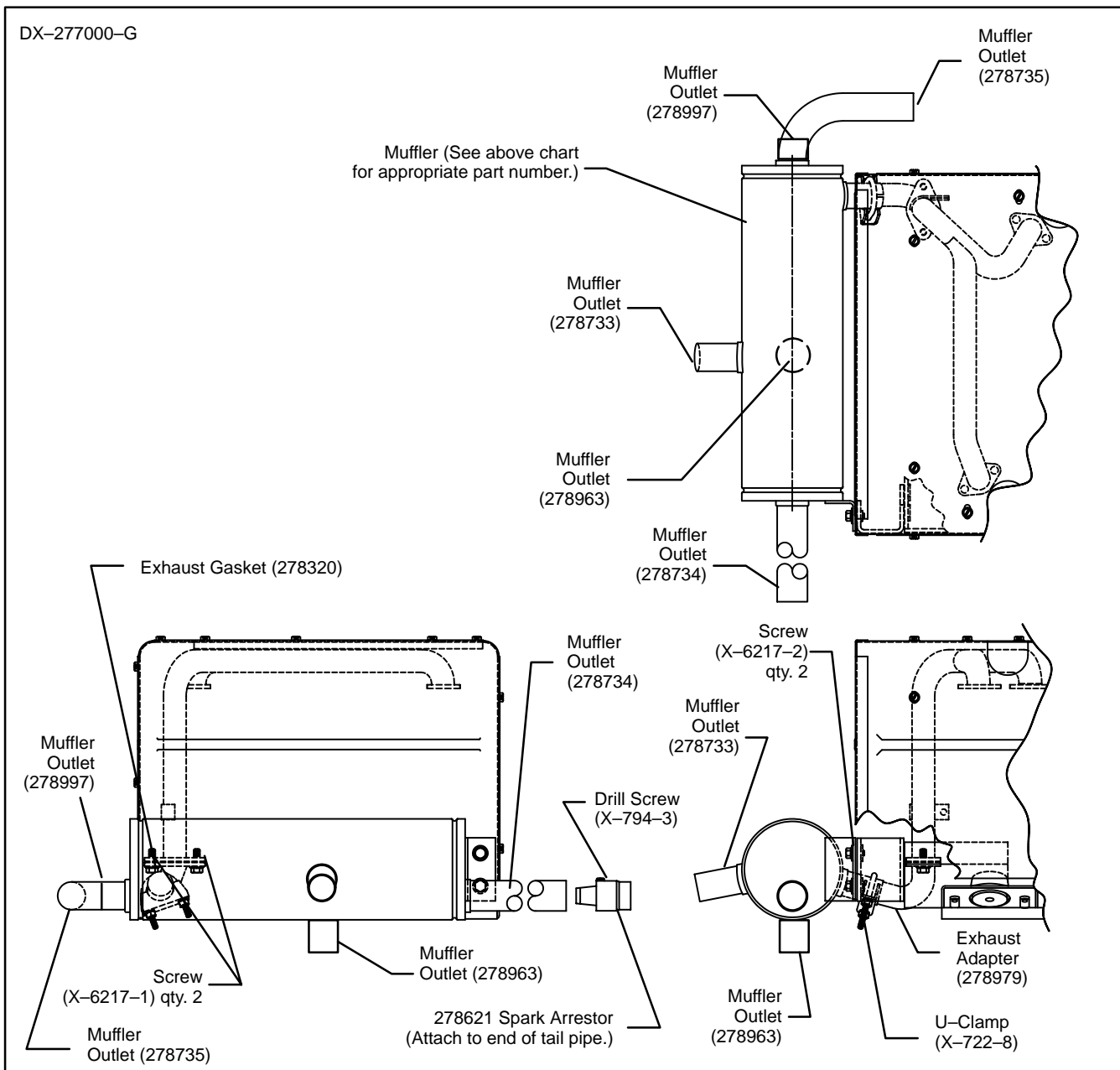


Figure 4. Exhaust Systems For 7kW Generator Sets Below Floor