



---

## Remote Start Panel Kit PA-225576 7CCO/10CCO/15CCO/20CCO RV Generator Sets

Allows starting–stopping from a location remote of the generator set. Generator set comes equipped with a 6–pin connector on controller back panel for connection of the kit.



### **Accidental starting.**

#### **Can cause severe injury or death.**

Disconnect battery cables before working on generator set (negative lead first and reconnect it last).

---

**Accidental starting can cause severe injury or death.** Disconnect battery cables (remove negative lead first and reconnect it last) to disable generator set before working on any equipment connected to generator. The generator set can be started by remote start/stop switch unless this precaution is followed.

**Start – Stop/Preheat Switch:** Rocker–type switch with “ON” light used to start and stop generator set.

During cold weather starts:

7CCO and 10CCO (below 50°F [10°C]),  
15CCO and 20CCO (below 23°F [–5°C]),  
place controller start switch in STOP/PREHEAT position for 15–20 seconds before attempting to start generator set. This provides energizing of the *glow plugs* on the 7/10kW or the *air heater coil* on the 15/20kW.

### **NOTE**

Do not place Start – Stop/Preheat Switch in Stop/Preheat position for more than 30 seconds or damage may occur to preheat feature.

## INSTALLATION

1. Disconnect battery, negative lead first.
2. Determine where in vehicle remote panel is to be mounted. This decision will be limited by the length of the wiring harness and the size (including mounting depth) of the panel.

### NOTE

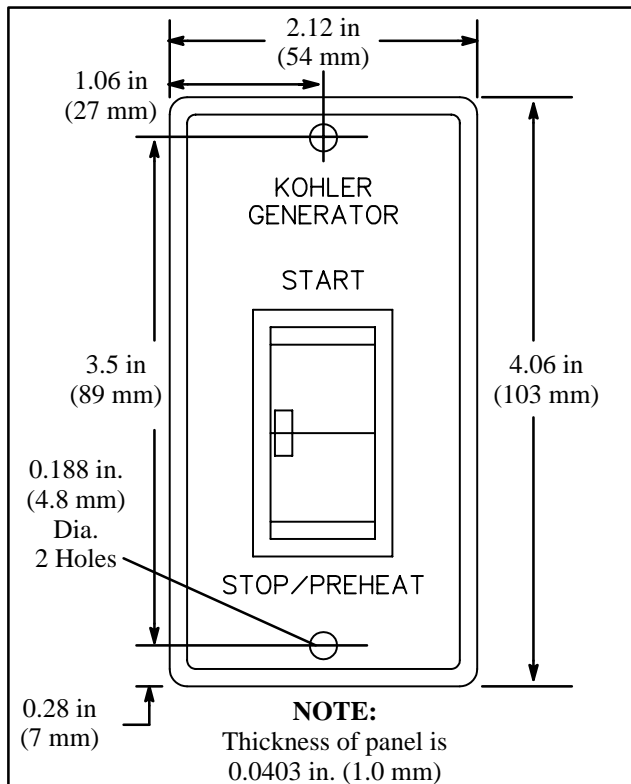
If the installation requires a wiring harness that exceeds 15 ft. (4.6 m) order Remote Extension Harness Kit PA-225580, 15 ft. (4.6 m) or PA-225581, 25 ft. (7.6 m). Do not have remote harness kits exceed 75 ft. (22.9 m) in length.

3. See Figure 1 for mounting dimensions. The minimum mounting clearance beyond the panel is 2-1/4 in. (57 mm). Mount panel using two screws (not supplied).

4. Connect Remote Start Panel connector or Remote Extension Harness (if used) to back of generator set controller. See Figure 2 for electrical connections.
5. Reconnect battery, negative lead last. Start/Stop generator set using controller switch and remote switch. Monitor gauges for proper function. STOP generator set.

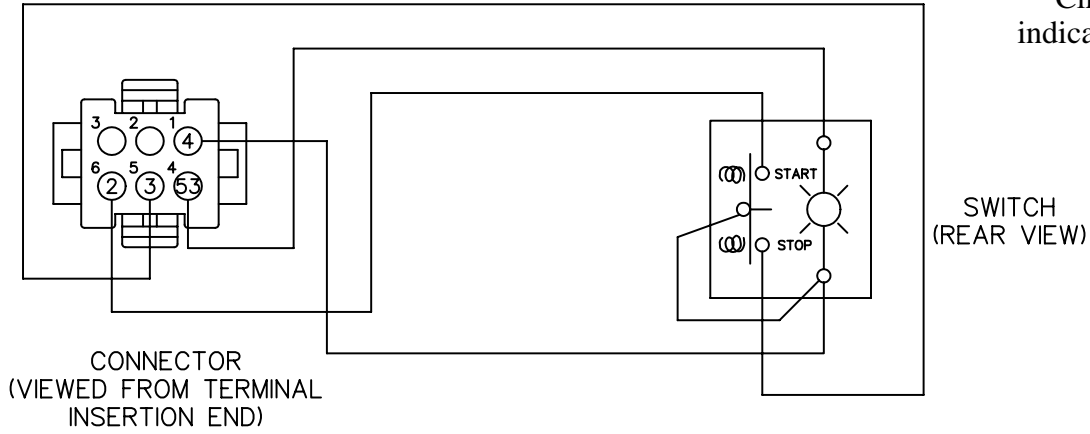
## Parts Listing

Description	Qty.	Part Number
Remote Panel Assy.	1	A-225574
Cable Tie	2	X-468-2
Connector Plug	1	241617
Remote Panel	1	260105
Rocker Switch	1	269296



**Figure 1. Mounting Dimensions**

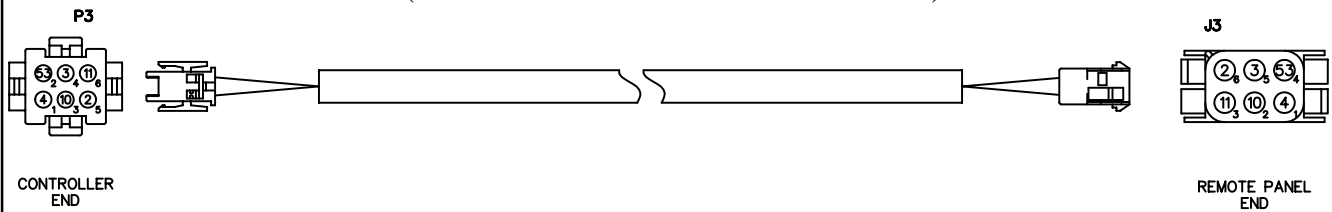
**NOTE**  
Circled numbers indicate lead numbers.



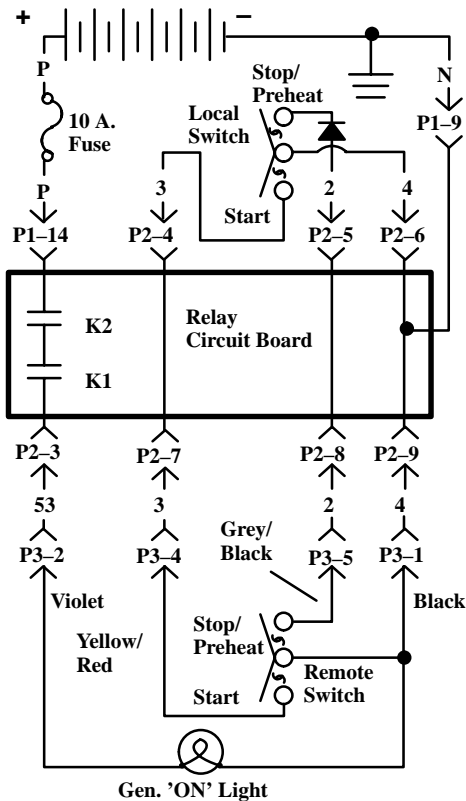
A-225574-

225580-

**Remote Extension Harness**  
(Circled Numbers indicate lead numbers.)



Connectors are shown as viewed  
from terminal insertion end.



**NOTE:**  
Remote Start Panel harness  
is not color coded.  
Lead 2 connects to J3-6.  
Lead 3 connects to J3-5.  
Lead 4 connects to J3-1.  
Lead 53 connects to J3-4.  
Color coded leads used on  
remote harnesses only.

**NOTE:**  
When the Start-Stop/Preheat  
Switch is in the start position,  
contacts 3 and 4 are closed.

**Figure 2. Electrical Connections**