



Key Switch Kit PA-256942 10/12 CC/CZ Mobile Generator Sets

The key switch kit is intended to insure safe operation of the generator set. A key is required to start and stop the unit. The installation procedure involves removing the rocker type start/stop switch and replacing it with a key switch. Observe the following safety precaution while installing the kit and reference Figure 1.



WARNING

Accidental starting.

Can cause severe injury or death.

Disconnect battery cables before working on generator set (negative lead first and reconnect it last).

Accidental starting can cause severe injury or death. Disconnect battery cables (remove negative lead first and reconnect it last) to disable generator set before working on any equipment connected to generator. The generator set can be started by remote start/stop switch unless this precaution is followed.

INSTALLATION

1. Disconnect the battery of the generator set, negative lead first.
2. Remove the four mounting screws securing the controller cover. Remove cover.
3. Disconnect leads 43, N, and 47 from the back of the rocker start/stop switch. Remove the rocker switch.
4. Remove the plastic sleeve and nut from the key switch assembly 256941.
5. Slide wires of key switch through silkscreened panel 256939.
6. Slide wires of key switch through front panel of controller (where rocker switch was located).
7. Slide wires of key switch through rear plate 256940.
8. Position nut and then plastic sleeve (with pronged side towards switch) back on key switch assembly. Gently squeeze plastic sleeve or terminals so as not to damage wires.
9. Tighten nut up against the rear plate. Reposition plastic sleeve back on key switch.
10. Reconnect key switch leads 43, N, and 47 respectively to the controller harness. See Figure 1, Electrical Connection.
11. Replace the controller cover and secure with screws.
12. Reconnect battery, negative lead last.

NOTE

The rear plate should be positioned behind the front panel of the controller with the four raised shear buttons against the front panel of controller.

Parts Listing for Kit PA-256942

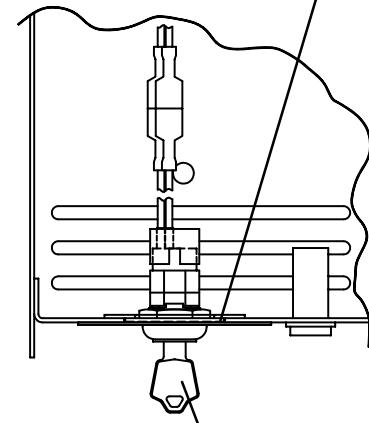
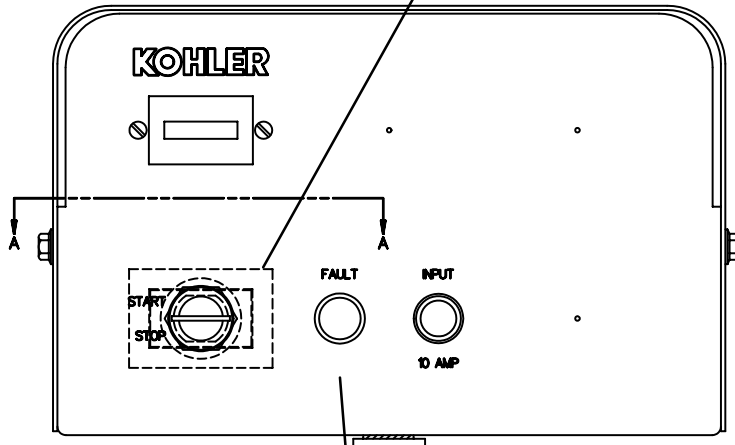
Description	Qty.	Part Number
Key Switch Assembly	1	256941
Rear Plate	1	256940
Silkscreened Panel	1	256939

NOTE

Remove the plastic sleeve and nut from the key switch by gently pulling and/or squeezing terminals and plastic sleeve so as not to damage the wires.

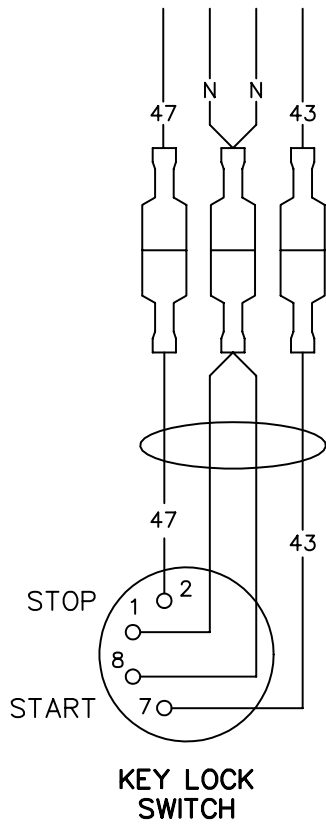
Silkscreened Panel 256939
Position on front side of Controller

Rear Plate 256940
Position behind front panel of controller



Front View

View A-A



Disconnect leads that are attached to the Rocker Switch and reattach to Key Switch as shown.

Electrical Connection

Figure 1. Key Switch Installation