

---

## INSTALLATION INSTRUCTIONS

---

Original Issue Date: 12/92

Model: 15/20CCO (Remote Radiator Models Only)

Market: RV

Subject: Airbag Mount Kit (PA-225647)

Kohler Co. offers the airbag mount kit as an optional mounting system designed to reduce noise and transmitted vibration in RV generator set installations. Observe the following safety precaution while installing the kit.



**Accidental starting.  
Can cause severe injury or death.**

Disconnect battery cables before working on generator set (disconnect negative lead first and reconnect it last).

**Disabling generator set. Accidental starting can cause severe injury or death.** Disconnect battery cables (remove negative lead first and reconnect it last) to disable generator set before working on the generator set or connected equipment. The generator set can be started by the remote start/stop switch unless this precaution is followed.

## Installation

1. With generator set off, disconnect generator set engine starting battery, negative (-) lead first.
2. Raise the generator set with a hoist.
3. Disconnect the ground strap from the front engine support. Save the hardware and cable connector.
4. Disconnect the air heater relay attached to the skid. Save the relay and hardware.
5. Remove the generator skid by removing the bolts which secure the mounting brackets to the engine

and generator. The skid, mounting brackets, and vibromounts will not be reused. Save the mounting hardware.

### NOTE

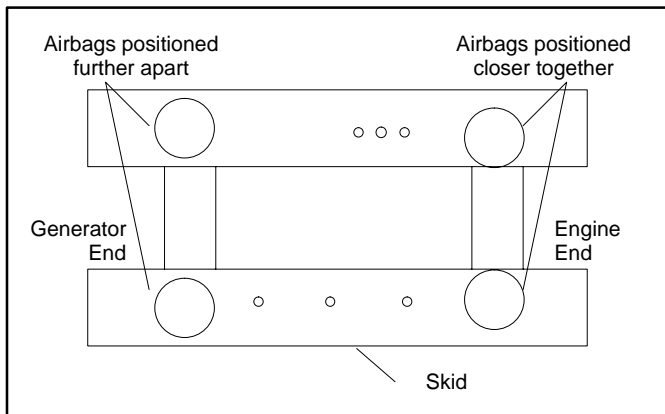
All new generator sets will have the required mounting holes supplied in the stator to mount the generator airbag mount brackets. Some earlier generator sets will require drilling two top mounting holes in the stator bracket.

6. If the generator set has two top mounting holes in each stator bracket, proceed to Step 7. If the generator set does not have two top mounting holes in the stator brackets, remove the stator from the unit (consult the generator service manual). Attach the airbag generator-mounting bracket (225656) to the stator by securing with spirallock nut (X-6210-9) and screw (X-6238-10) in the center hole. Repeat procedure for the other airbag generator-mounting bracket.

Use a centering punch to mark the location of the two holes in the stator bracket. Drill the holes to 27/64 in. dia. (Use the airbag generator-mounting bracket as a template.) Repeat on the other side of the stator. Secure the airbag mounting bracket to the stator bracket using two spirallock nuts (X-6210-9), two screws (X-6238-10), and two washers (X-22-14). Repeat for the other airbag mount bracket. Reposition the stator on the unit. Proceed to Step 8.

7. Attach the airbag mounting brackets (225656) to the stator by securing with spirallock nuts (X-6210-9), screws (X-6238-10), and washers (X-22-14).
8. Position the four airbags (225644) on the skid (225643). Secure the airbags to the skid using two screws (X-6238-10) under each airbag. Use a 9/16-in. shallow well socket and torque to 15-20 ft. lbs.

- Apply pipe sealant to street elbows (X-274-17). Position elbows on the two airbags that will be positioned underneath the generator end of the unit. Position elbows facing outward. See Figure 1.



**Figure 1. Airbag Positioning on Skid**

- Attach the new engine mounting brackets (225657) at the position shown in Figure 3. Use existing hardware (removed in Step 5) to secure.
- Secure the airbags to the airbag mounting brackets (engine and generator) using two studs (X-352-67) and two spirallock nuts (X-6210-9) for each mount.
- Apply pipe sealant to air supply valves (225645). Position valves on the two street elbows installed on the generator-end airbags and on the two engine-end airbags.
- Attach the ground strap (X-6046-6) to the generator set. Use the existing hardware to attach the ground strap to the engine (behind the fuel filter). See Figure 3. Attach the other end of the ground strap to the skid at the position shown in Figure 3. Relocate the cable connector to this side of the generator set. Attach using lock washer (X-22-16) and screw (X-125-3).
- Slide H.C. screw (X-6021-1) through plain washer (X-25-15) and restraining cable (225646). Position on the outer surface of the mounting bracket. Secure with an elastic stop nut (X-101-15). Repeat for each bracket. Secure the other end of the restraining cable to the skid using screw (X-6238-3), plain washer (X-25-109), and spacers (X-400-75). Repeat for each restraining cable.
- Reposition air heater relay to the front generator mounting bracket. Use existing hardware to secure. See Figure 3.

## NOTE

Do not inflate the airbag mounts until the unit is assembled. Do not exceed the max. height listed in Figure 2. Ensure that the needle valves are tight to eliminate air leakage.

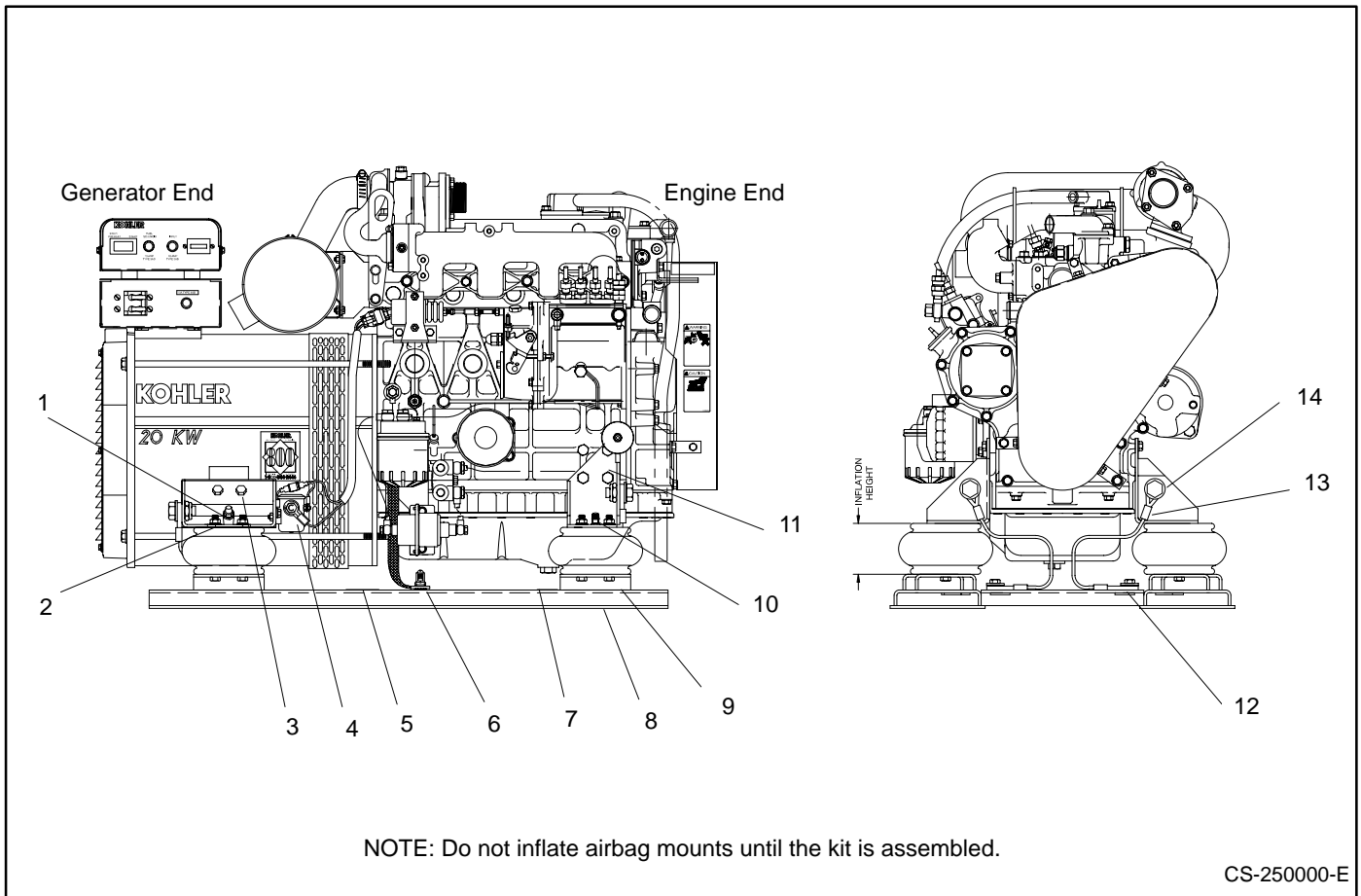
Mount (as viewed from generator end)	Gauge Pressure	Mount Inflation Height (±.25)
Right engine mount	20 PSIG	3.00 in.
Left engine mount	15 PSIG	3.25 in. (max.)
Right generator mount	15 PSIG	3.25 in. (max.)
Left generator mount	20 PSIG	3.00 in.

**Figure 2. Mount Gauge Pressure and Height**

- Attach the warning and oil drain decals (239771 and 280562) at the positions shown in Figure 3.
- Reconnect the generator set engine starting battery, negative (-) lead last.

## Airbag Kit

Parts List		
Kit: PA-225647		
Qty.	Description	Part Number
4	Nut, elastic stop (5/8-11)	X-101-15
1	Screw H.C. (5/16-18 x 0.75)	X-125-3
4	Washer, shakeproof (3/8)	X-22-14
1	Washer, lock (5/16)	X-22-16
4	Washer, plain (0.406 x 1.250 x 0.100)	X-25-109
4	Washer, plain (0.656 x 1.312 x 0.095)	X-25-15
2	Elbow, street	X-274-17
8	Stud	X-352-67
4	Spacer	X-400-75
4	Screw, H.C. (5/8-11 x 1.750)	X-6021-1
1	Strap, ground	X-6046-6
14	Nut, spirallock (3/8-16)	X-6210-9
14	Screw, H.C. (3/8-16 x 0.75)	X-6238-10
4	Screw, (3/8-16 x 0.88)	X-6238-3
1	Skid	225643
4	Mount, airbag	225644
4	Valve, air supply	225645
4	Cable, restraining	225646
2	Bracket, generator airbag mounting	225656
2	Bracket, engine airbag mounting	225657
1	Decal, warning	239771
1	Decal, oil drain	280562



- |  |   |
|--|---|
| <ol style="list-style-type: none"> <li>1. Air supply valves (225645) qty. 2 and street elbows (X-274-17) qty. 2</li> <li>2. Studs (X-352-67) qty. 8 and spiralock nuts (X-6210-9) qty. 8</li> <li>3. Airbag mounting brackets (225656) qty. 2, spiralock nuts (X-6210-9) qty. 6, screws (X-6238-10) qty. 6, and washers (X-22-14) qty. 4</li> <li>4. New location for air heater relay. Use existing hardware.</li> <li>5. Warning decal (239771)</li> <li>6. Ground strap (X-6046-6), screw (X-125-3), and washer (X-22-16)</li> <li>7. Oil drain decal (280562)</li> </ol> | <ol style="list-style-type: none"> <li>8. Skid (225643)</li> <li>9. Airbag mounts (225644) qty. 4 and screws (X-6238-10) qty. 8</li> <li>10. Air supply valves (225645) qty. 2</li> <li>11. Engine mounting brackets (225657) qty. 2. Use existing hardware.</li> <li>12. Washers (X-25-109) qty. 4, spacers (X-400-75) qty. 4, and screws (X-6238-3) qty. 4</li> <li>13. Restraining cables (225646) qty. 4</li> <li>14. Washers (X-25-15) qty. 4, nuts (X-101-15) qty. 4, and screws (X-6021-1) qty. 4</li> </ol> |
|--|---|

**Figure 3. Airbag Mount Installation**