

KOHLER® POWER SYSTEMS



INSTALLATION INSTRUCTIONS

Exhaust Manifold Insulation Kit PA-227644 15CCO RV Generator Set

The exhaust manifold insulation kit decreases generator compartment temperature and reduces exhaust heat and noise transmitted to the interior of the coach compartment.

Hot parts can cause severe injury or death. Do not touch hot engine parts. An engine gets hot while running and exhaust system components get extremely hot.



Accidental starting.

Can cause severe injury or death.

Disconnect battery cables before working on generator set (negative lead first and reconnect it last).

Accidental starting can cause severe injury or death. Disconnect battery cables (remove negative lead first and reconnect it last) to disable generator set before working on any equipment connected to generator. The generator set can be started by remote start/stop switch unless this precaution is followed.

WARNING



Hot engine and exhaust system. Can cause severe injury or death.

Do not work on generator set until unit is allowed to cool.

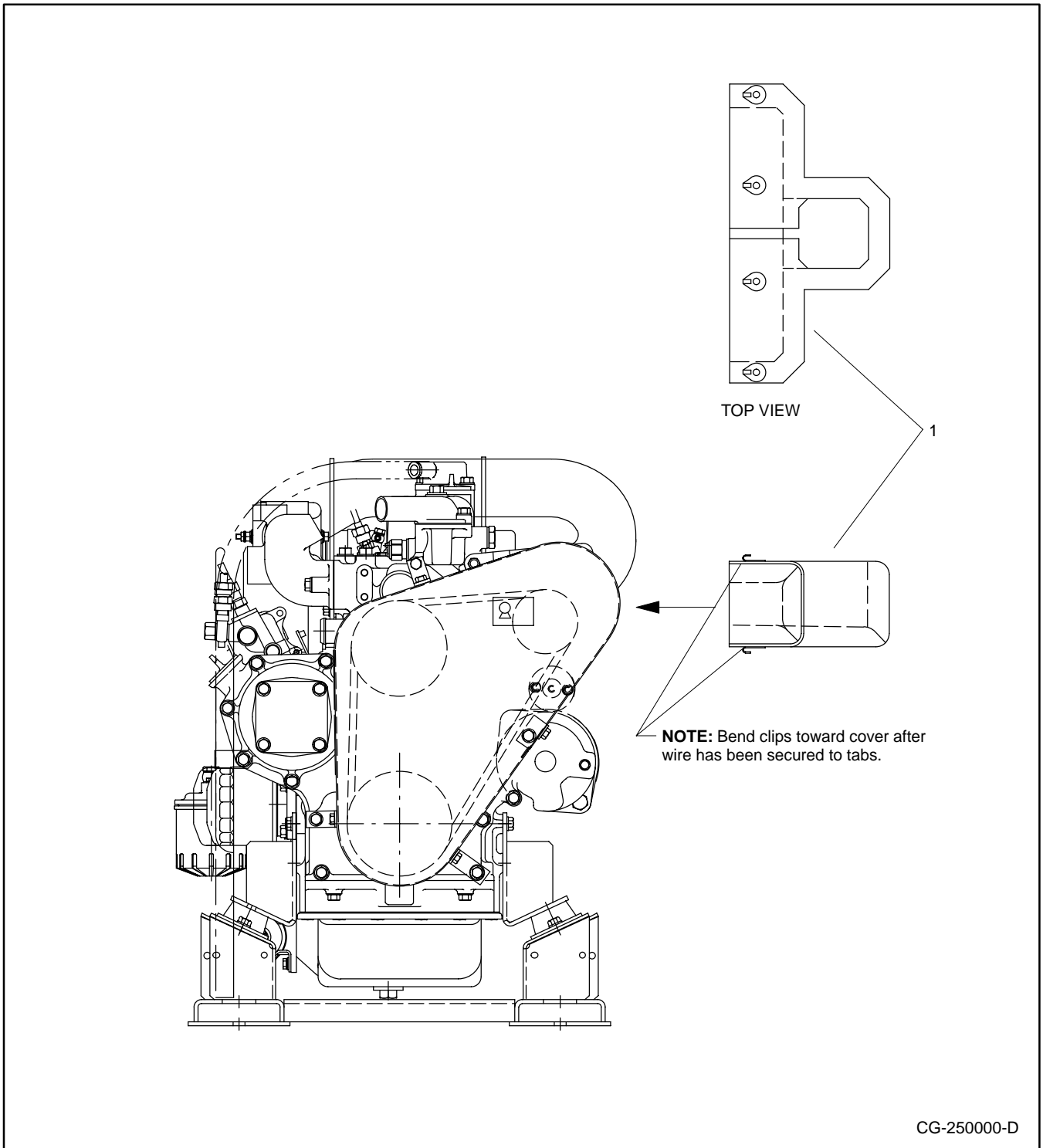
INSTALLATION

1. Move generator master switch to STOP position. Allow generator set to cool.
2. Remove generator set battery cables, negative lead first.
3. Slide the exhaust manifold insulator cover (225291) over the exhaust manifold. Secure cover with stainless steel wire provided. See Figure 1.

NOTE

Wire may be provided in bulk form. Cut wire as needed.

4. Reconnect generator set battery cables, negative lead last. Move generator master switch to normal operating position.



1. Exhaust Manifold Insulator Cover (225291)

Figure 1. Exhaust Manifold Insulation Kit Installation