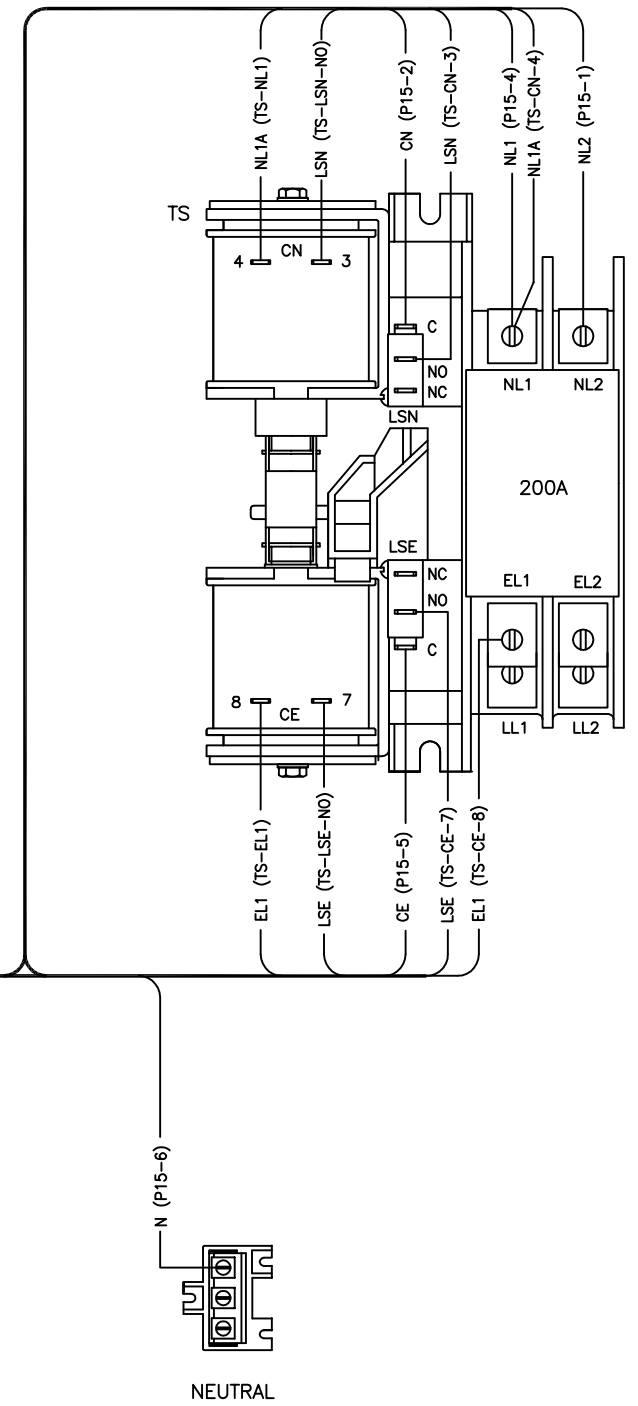
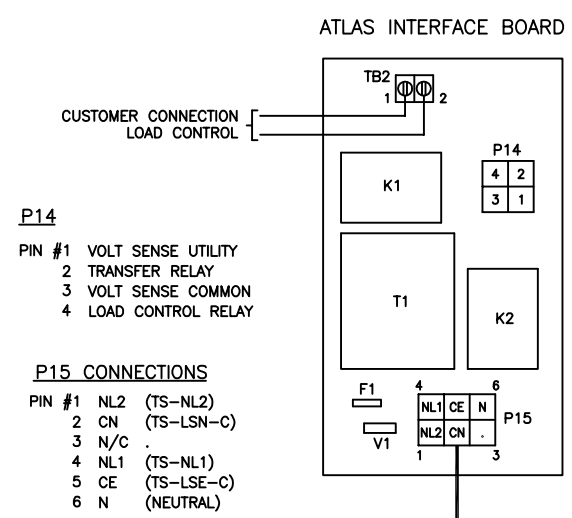


REV	DATE	REVISION	BY	APP
-	3-30-09	NEW DRAWING [85563]	DFS	
A	5-05-10	[D-4] NL1A WAS NL1 [89741]	FCH	

LEGEND

- CE - TRANSFER COIL (EMERGENCY)
- CN - TRANSFER COIL (NORMAL)
- F(#) - FUSE
- GND - ENCLOSURE GROUND
- K(#) - RELAY
- LSN - POSITION SENSE SWITCH (NORMAL)
- LSE - POSITION SENSE SWITCH (EMERGENCY)
- P(#) - CONNECTOR
- T(#) - TRANSFORMER
- TS - TRANSFER SWITCH/CONTACTOR
- TB(#) - TERMINAL BLOCK
- V(#) - VARISTOR



UNLESS OTHERWISE SPECIFIED - 1) DIMENSIONS ARE IN INCHES 2) TOLERANCES ARE: FRACTIONS ±		KOHLER CO. POWER SYSTEMS, KOHLER, WI 53044 U.S.A. THIS DRAWING, IN DESIGN AND DETAIL, IS KOHLER CO. PROPERTY AND MUST NOT BE USED EXCEPT IN CONNECTION WITH KOHLER CO. WORK. ALL RIGHTS OF DESIGN OR INVENTION ARE RESERVED.	
APPROVALS		TITLE	
DESIGNED	DATE	DIAGRAM, WIRING	
DFS	3-30-09	SCALE	GM69577.DWG
CHECKED	DATE	PLOTTED	SHEET 1-1
AJH	3-31-09		
APPROVED	DATE	DWG. NO.	GM69577
AJH	3-31-09		D

MODEL RRT
200A
FOR SCHEMATIC SEE GM69580