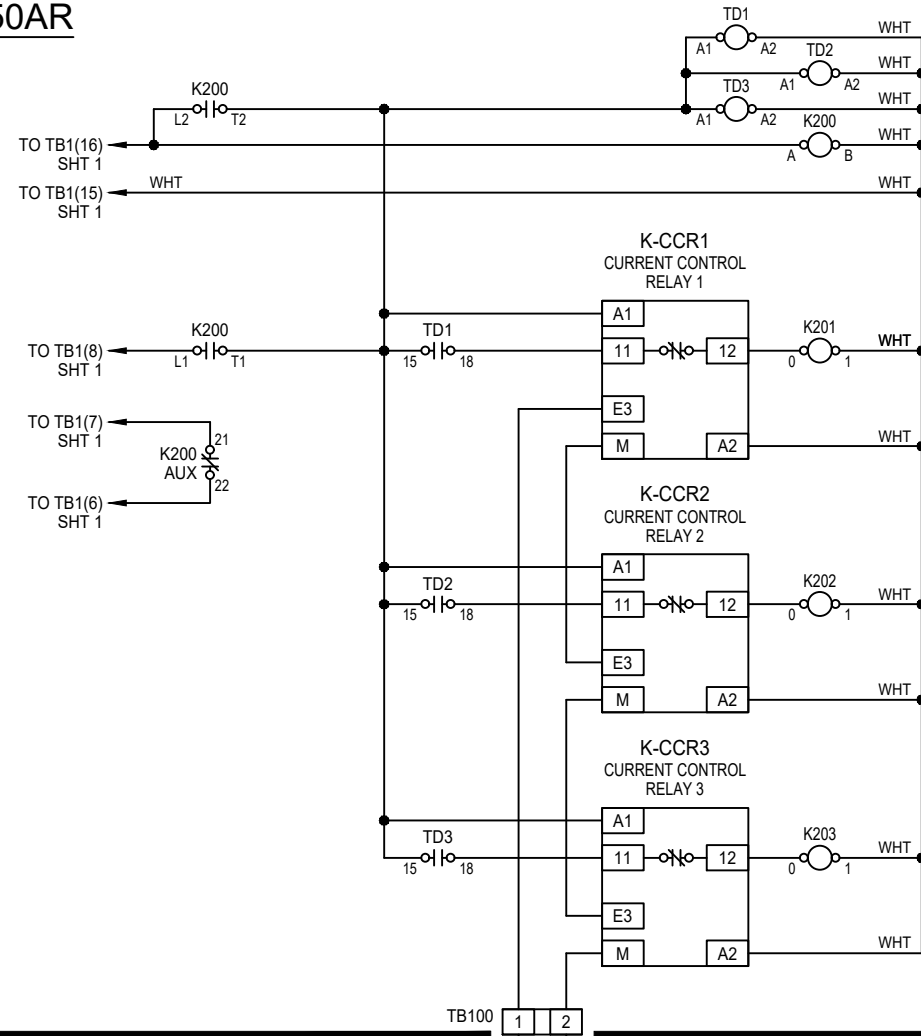


# LOAD BANK LD500-480-50AR



GENERATOR RATING = 800 KW @ 480 VAC  
 LOAD BANK RATING = 500 KW @ 480 VAC

### AUTOMATIC LOAD LEVEL CONTROL

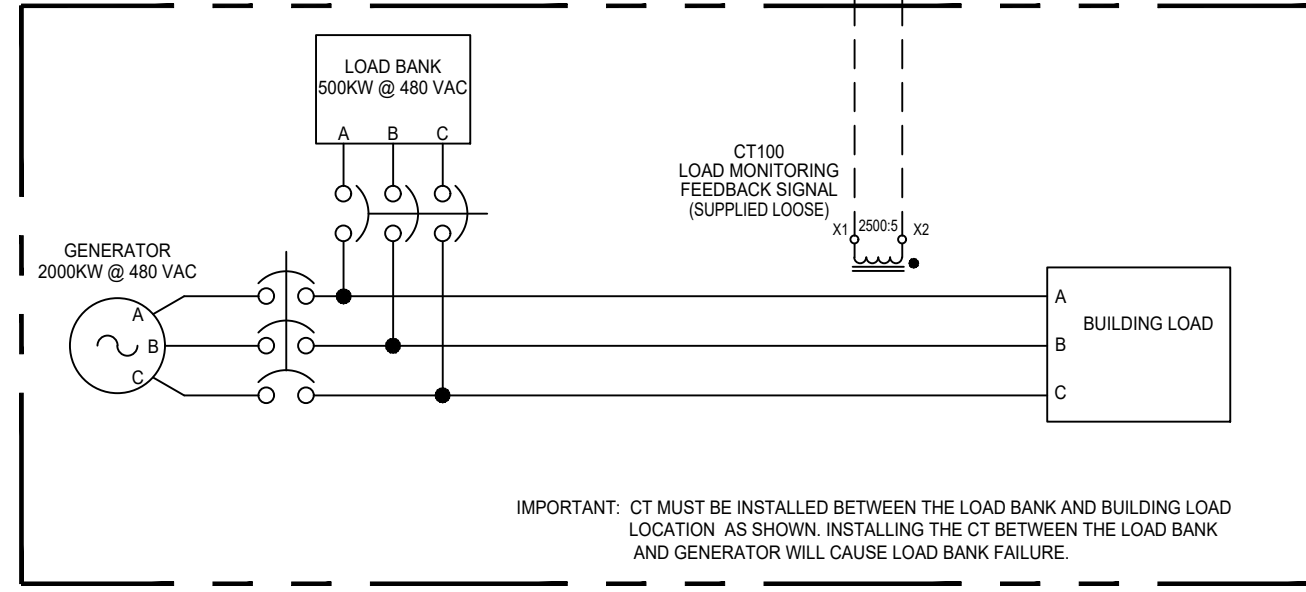
STEP	BUILDING LOAD	LOAD BANK LOAD	GENERATOR LOAD	PERCENT OF GENERATOR LOAD
STAGE 1	0-500 KW	500 KW	500-1000 KW	25 - 50%
STAGE 2	500-650 KW	350 KW	850-1000 KW	42 - 50%
STAGE 3	650-800 KW	200 KW	850-1000 KW	42 - 50%
STAGE 4	800-2000 KW	0 KW	800-2000 KW	40 - 100%

K-CCR - CURRENT CONTROL RELAY SET POINTS  
 CT100 CURRENT TRANSFORMER RATIO 2500:5  
 SET HYSTERESIS TO MINIMUM 5% SETTINGS

SET POINT	KW	PRIMARY AMPS	SECONDARY AMPS
K-CCR1	500 KW	601	1.20
K-CCR2	650 KW	781	1.56
K-CCR3	800 KW	961	1.92

### TD - TIME DELAY RELAY SET POINTS

TD1	FUNCTION - A DELAY - ON	2 MINUTE
TD2	FUNCTION - A DELAY - ON	4 MINUTE
TD3	FUNCTION - A DELAY - ON	6 MINUTE



IMPORTANT: CT MUST BE INSTALLED BETWEEN THE LOAD BANK AND BUILDING LOAD LOCATION AS SHOWN. INSTALLING THE CT BETWEEN THE LOAD BANK AND GENERATOR WILL CAUSE LOAD BANK FAILURE.

**GENERAL NOTES:**  
 A. UNLESS OTHERWISE NOTED:  
 1. ALL DIMENSIONS ARE IN INCHES.

THIS DRAWING IS PROPERTY OF LOAD BANKS DIRECT AND SHALL REMAIN SO WHILE IN USER'S POSSESSION. THE TECHNOLOGY SHOWN HERE IS STRICTLY PROPRIETARY AND IS NOT TO BE DISCLOSED TO ANY 3RD PARTY WITHOUT LOAD BANKS DIRECT PRIOR CONSENT.



TEXT			
<b>SCHEMATIC, LOAD BANK</b>			
DWG. NO.	REV.	SHEET	
LD500-480-50AR-W	-	2 of 3	
DRAWN BY	CHK'D BY	DATE	SIZE
REK	MMP	9-4-18	D