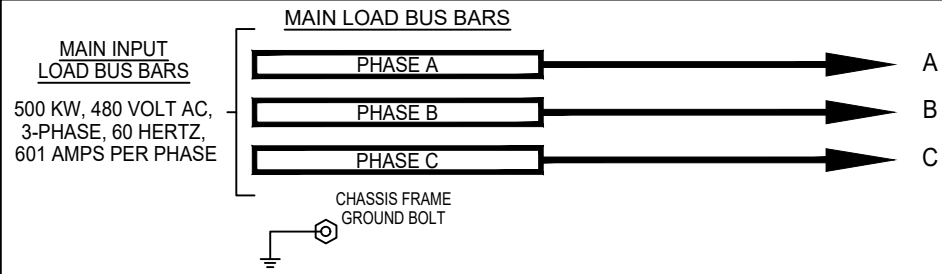
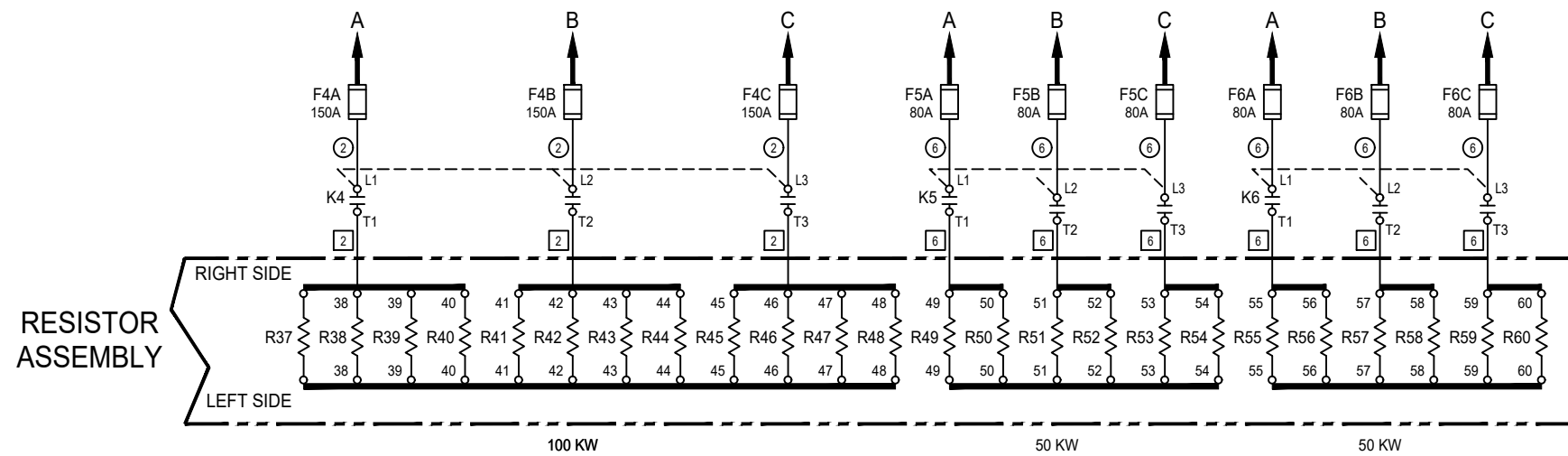
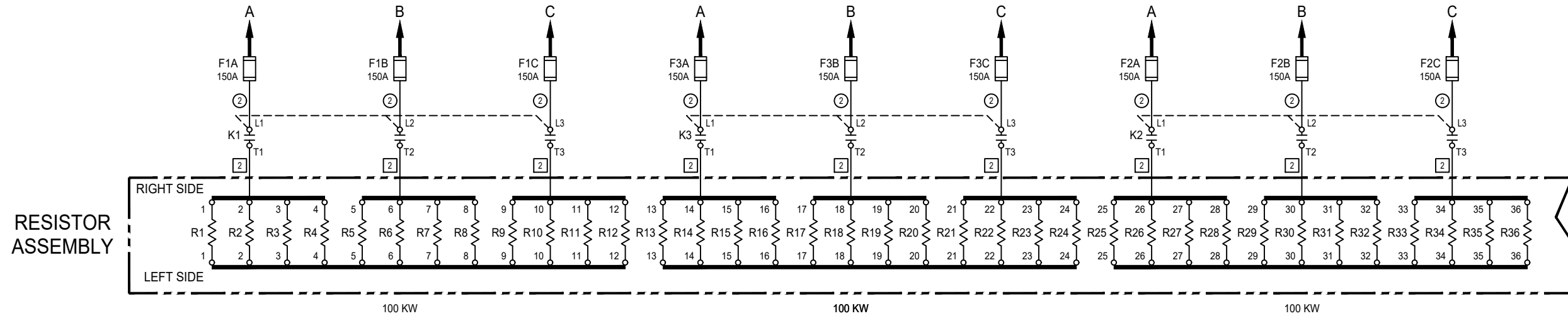


LOAD BANK LD500-480-50AR



NOTE: ALL LOAD WIRING FROM RA1 AND LOAD STEP CONTACTORS TO BE WIRED DIRECTLY TO RESPECTIVE DESIGNATED LOAD STEP FUSE.



SEE SHEET 1 FOR NOTES AND WIRE CODE.

GENERAL NOTES:

- A. UNLESS OTHERWISE NOTED:
- 1. ALL DIMENSIONS ARE IN INCHES.

THIS DRAWING IS PROPERTY OF LOAD BANKS DIRECT AND SHALL REMAIN SO WHILE IN USER'S POSSESSION. THE TECHNOLOGY SHOWN HERE IS STRICTLY PROPRIETARY AND IS NOT TO BE DISCLOSED TO ANY 3RD PARTY WITHOUT LOAD BANKS DIRECT PRIOR CONSENT.



TEXT			
SCHEMATIC, LOAD BANK			
DWG. NO.	REV.	SHEET	
LD500-480-50AR-W	-	3 of 3	
DRAWN BY	CHK'D BY	DATE	SIZE
REK	MMP	9-4-18	D