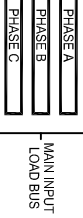
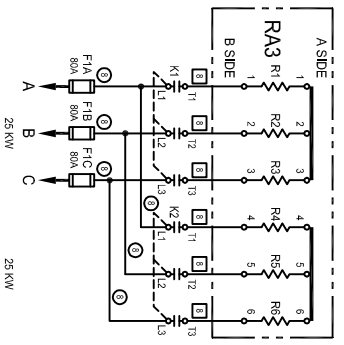
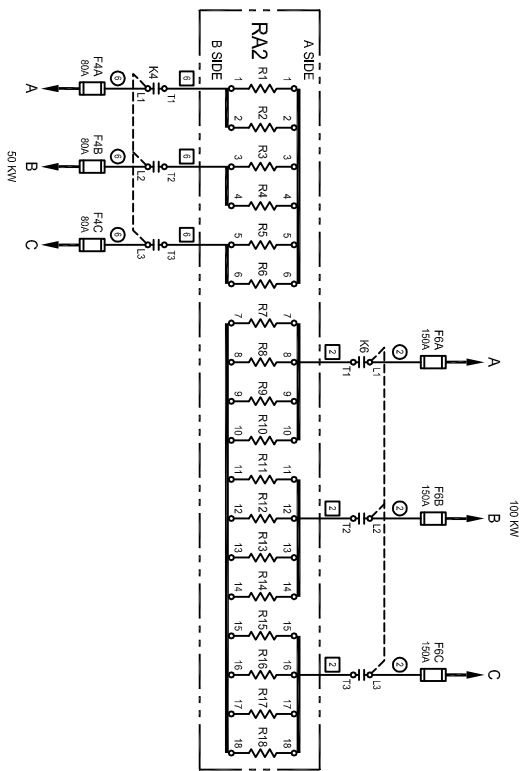
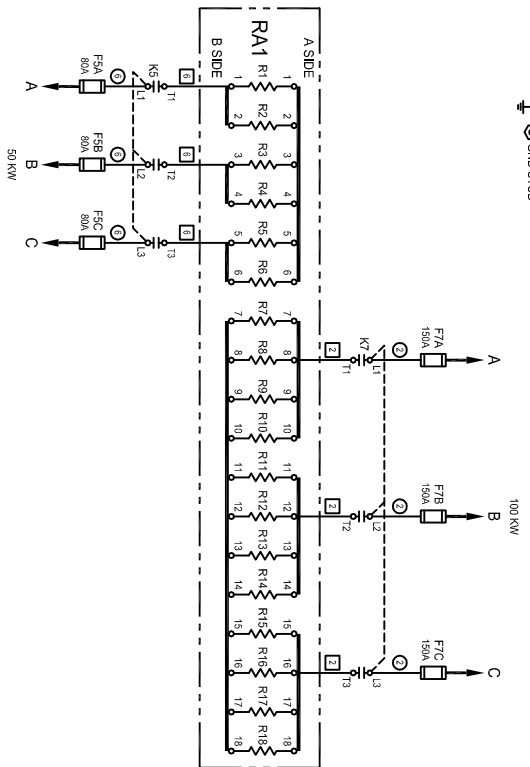


350 KW, 480 VOLT A.C.  
 3-PHASE, 60 HERTZ,  
 42T AMPS PER PHASE



**LOAD BANK LS350-480-25**



SEE SHEET 1 FOR NOTES AND WIRE CODE.

**GENERAL NOTES:**  
 A. UNLESS OTHERWISE NOTED:  
 1. ALL DIMENSIONS ARE IN INCHES.

THIS DRAWING IS PROPERTY OF LOAD BANKS DIRECT AND SHALL REMAIN SO WHILE IN USER'S POSSESSION. THE TECHNOLOGY SHOWN HERE IS STRICTLY PROPRIETARY AND IS NOT TO BE DISCLOSED TO ANY 3RD PARTY WITHOUT LOAD BANKS DIRECT PRIOR CONSENT.

		www.LoadBanksDirect.com	
		<p><b>Load Banks Direct</b></p> <p><b>SCHEMATIC, LOAD BANK</b></p>	
TEXT	DWG. NO.	REV.	SHEET
	LS350-480-25-W	-	2 of 2
DRAWN BY	CHECKED BY	DATE	SIZE
JJF	MMP	10-09-15	D