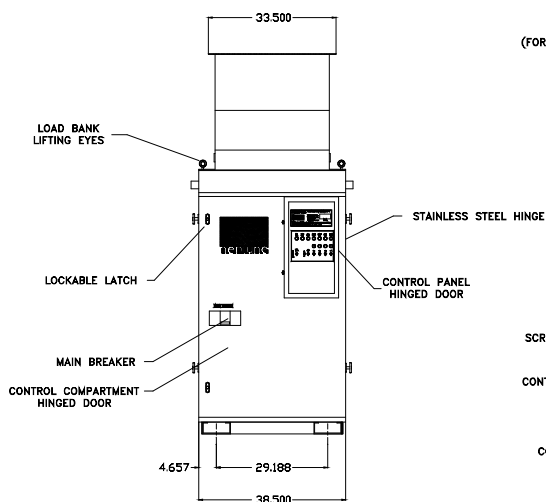
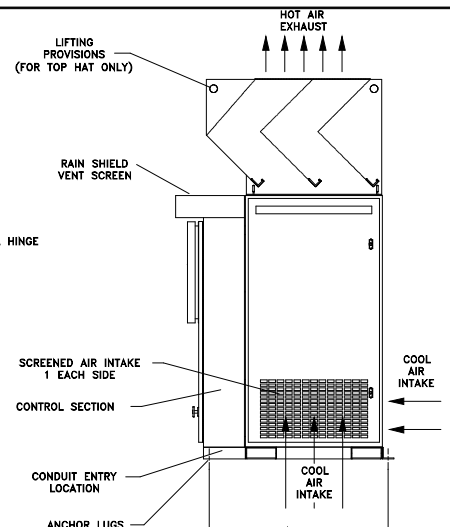


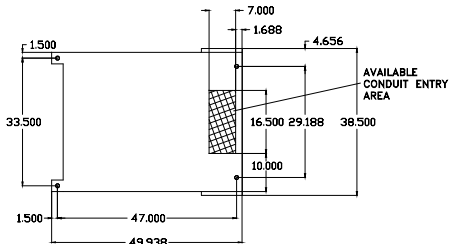
LEFT SIDE VIEW



FRONT VIEW



RIGHT SIDE VIEW



FOOTPRINT

- NOTES:
1. TOP HAT: GALVANIZED STEEL - UNPAINTED.
  2. CONSTRUCTION: FORMED AND WELDED SHEET STEEL.
  3. FINISH: ABRASIVE BLASTED OR CHEMICALLY CLEANED AND PHOSPHATIZED.
  4. PAINTED: SHERWIN WILLIAMS - FAST PRODUCTION ENAMEL COLOR - ASA 49 GRAY - F75AC1
  5. PRIMED: SHERWIN WILLIAMS - KEW FLASH E61A45 GRAY.

THE INFORMATION HEREON IS THE PROPERTY OF SIMPLEX, INC., AND/OR ITS SUBSIDIARIES. WITHOUT WRITTEN PERMISSION ANY COPYING, TRANSMITTAL TO OTHERS AND USE EXCEPT THAT FOR WHICH IT IS LOANED IS PROHIBITED.

<b>SIMPLEX</b>		SPRINGFIELD, ILLINOIS	
		DATE: 4/2/84	DESIGN BY: DDT
RESISTIVE LOAD BANK	NEPTUNE 400	REVISED: 1	
400KW, 480V, 3Ø, 60HZ	PICTORIAL		
W.O.# 16785-94-43			47B062640