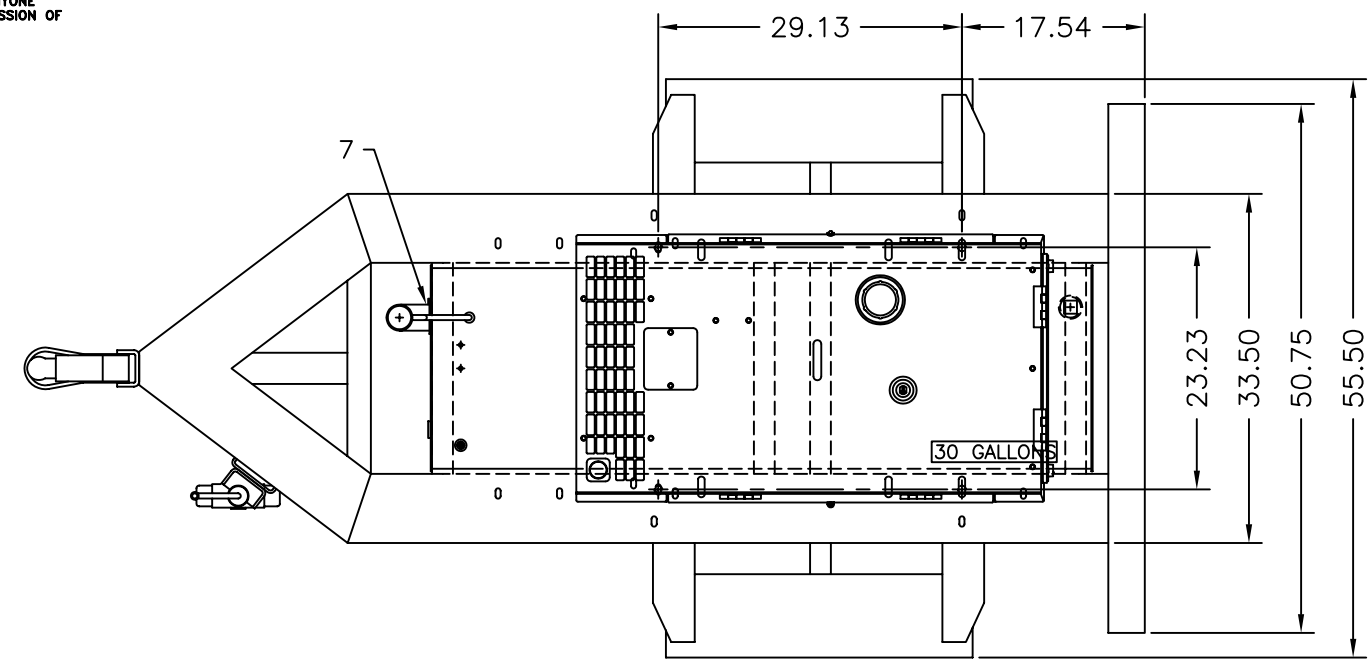
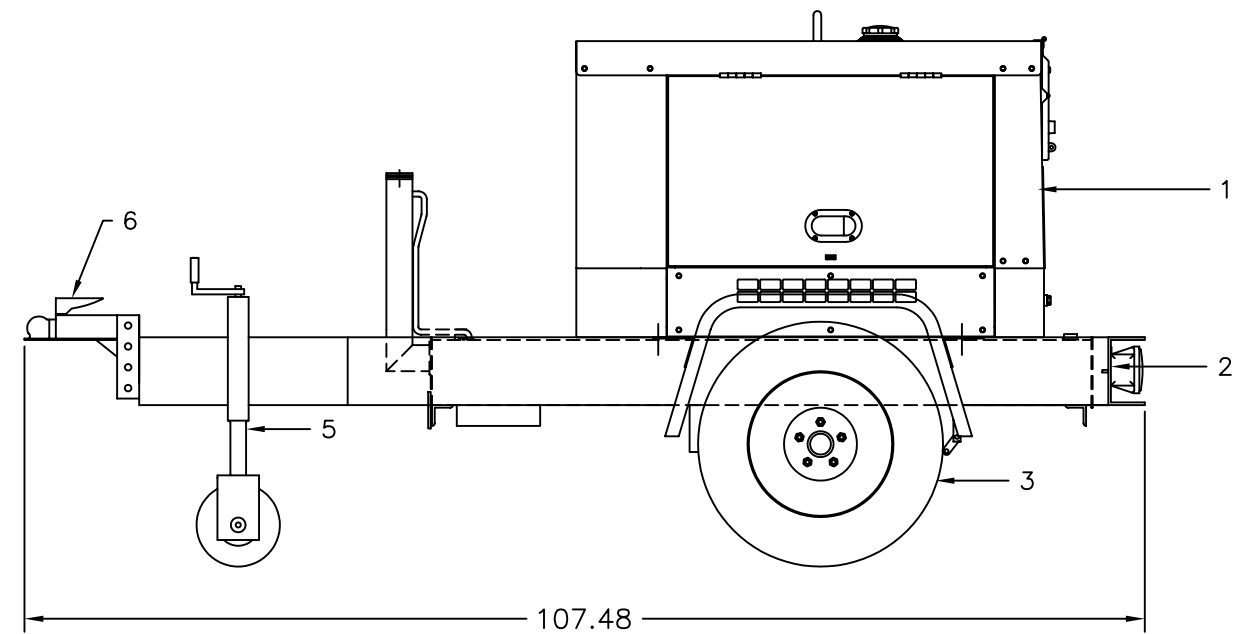


THIS DRAWING AND THE DATA DISCLOSED HEREIN OR HEREWITH IS CONFIDENTIAL AND PROPRIETARY AND IS NOT TO BE REPRODUCED, USED, OR DISCLOSED IN WHOLE OR IN PART TO ANYONE WITHOUT THE EXPRESSED WRITTEN PERMISSION OF MULTIQUIP COMPANY.

DWG. NO. 200204 D

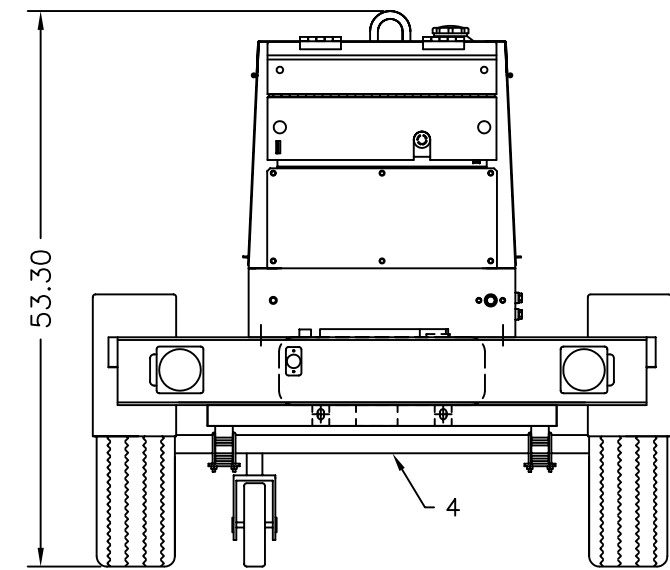


TOP VIEW



SIDE VIEW

PART LISTS				
ITEM	PART NUMBER	QTY	DESCRIPTION	MANUFACTURE
1	DA7000	1	7KVA GENSET DA7000 GENSET WEIGHT (APPROX.): 566lbs	DENYO
2	TRLRMP	1	TRAILER TRAILER WT. ONLY: G.V.W.R.: TONGUE WT.: OVERALL DIMENSION: 108L X 56W X 54H	-
3	-	2	TIRE WHEEL	-
4	-	1	AXLE	-
5	-	1	JACK	-
6	-	1	2" BALL CLASS	-
7	-	1	FUEL TANK CAPACITY:	-



END VIEW

UNLESS OTHERWISE SPECIFIED DIMENSIONS ARE IN INCHES TOLERANCES ARE : FRACTIONS DECIMALS ANGLES ± .XX ± ± .XXX ±	CUSTOMER		MQ POWER TEL: (310) 537-3700/FAX: (310) 632-2656 18910 WILMINGTON AVENUE CARSON, CA 90746		
	JOB NO.				
DERIVED FROM	MATERIAL	APPROVALS	DATE	TRLR MP w/DA7000 GENSET	
REV D	DATE 1/28/03	J. TRAN	6-25-01	SIZE D	FSCM NO. 200204
CAD CODE 200204D	DO NOT SCALE DRAWING	J. ROSE	6-29-01	SCALE 1 = 9	DWG. NO. 200204 SHEET 1 / 1

DWG. NO. 200204 D