

8

7

6

5

4

3

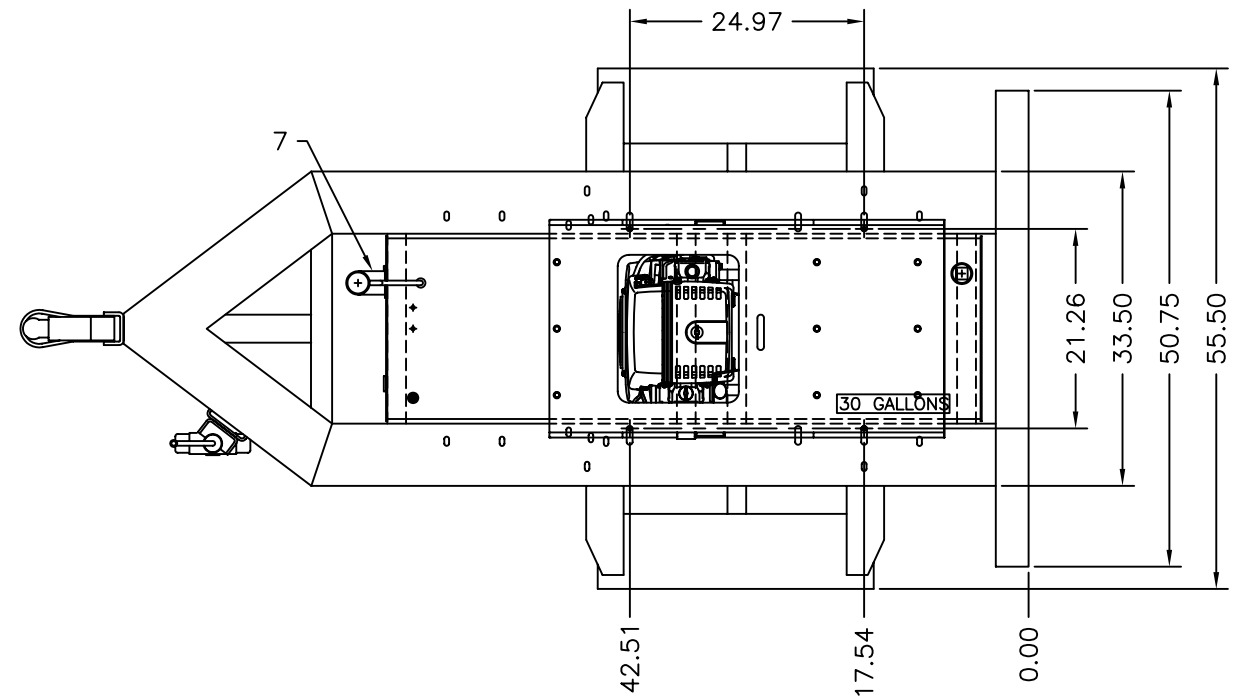
DWG. NO. 200208

REVISION D

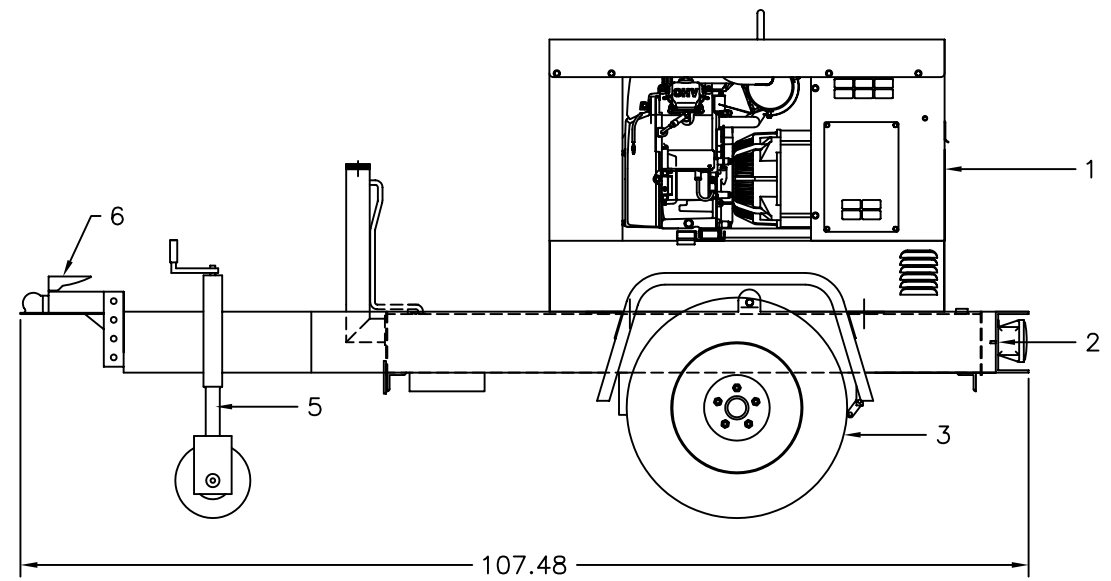
1

THIS DRAWING AND THE DATA DISCLOSED HEREIN OR HEREWITH IS CONFIDENTIAL AND PROPRIETARY AND IS NOT TO BE REPRODUCED, USED, OR DISCLOSED IN WHOLE OR IN PART TO ANYONE WITHOUT THE EXPRESSED WRITTEN PERMISSION OF MULTQUIP COMPANY.

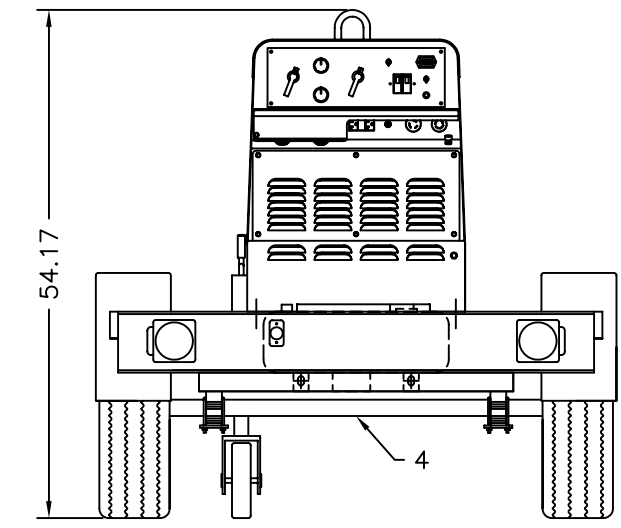
PART LISTS				
ITEM	PART NUMBER	QTY	DESCRIPTION	MANUFACTURE
1	DAW500S	1	500W WELDER 500W WELDER DRY WEIGHT (APPROX.): 553lbs	DENYO
2	-	1	TRAILER TRAILER WT. ONLY: G.V.W.R. (lbs): TONGUE WT.: OVERALL DIMENSION: 108L X 56W X 55H	-
3	-	2	TIRE WHEEL	-
4	-	1	AXLE	-
5	-	1	JACK	-
6	-	1	2" BALL CLASS	-
7	-	1	FUEL TANK CAPACITY:	-



TOP VIEW



SIDE VIEW



END VIEW

PRELIMINARY DRAWING

UNLESS OTHERWISE SPECIFIED DIMENSIONS ARE IN INCHES TOLERANCES ARE :		CUSTOMER		MQ POWER TEL: (310) 537-3700/FAX: (310) 632-2656 18910 WILMINGTON AVENUE CARSON, CA 90746		
FRACTIONS	DECIMALS	ANGLES	JOB NO.			
±	.XX ±	±		APPROVALS		DATE
	.XXX ±			DRAWN		
DERIVED FROM		MATERIAL		J. TRAN		6-25-01
REV	DATE	FINISH		CHECKED		
D	1-28-03			J. ROSE		6-29-01
CAD CODE 200208D		DO NOT SCALE DRAWING		SALESMAN		
			TRLR MP w/DAW500S WELDER		SIZE	FSCM NO.
					D	200208
					SCALE	SHEET
					1 = 10	1 / 1

8

7

6

5

4

3

2

1

DWG. NO. 200208

REVISION D