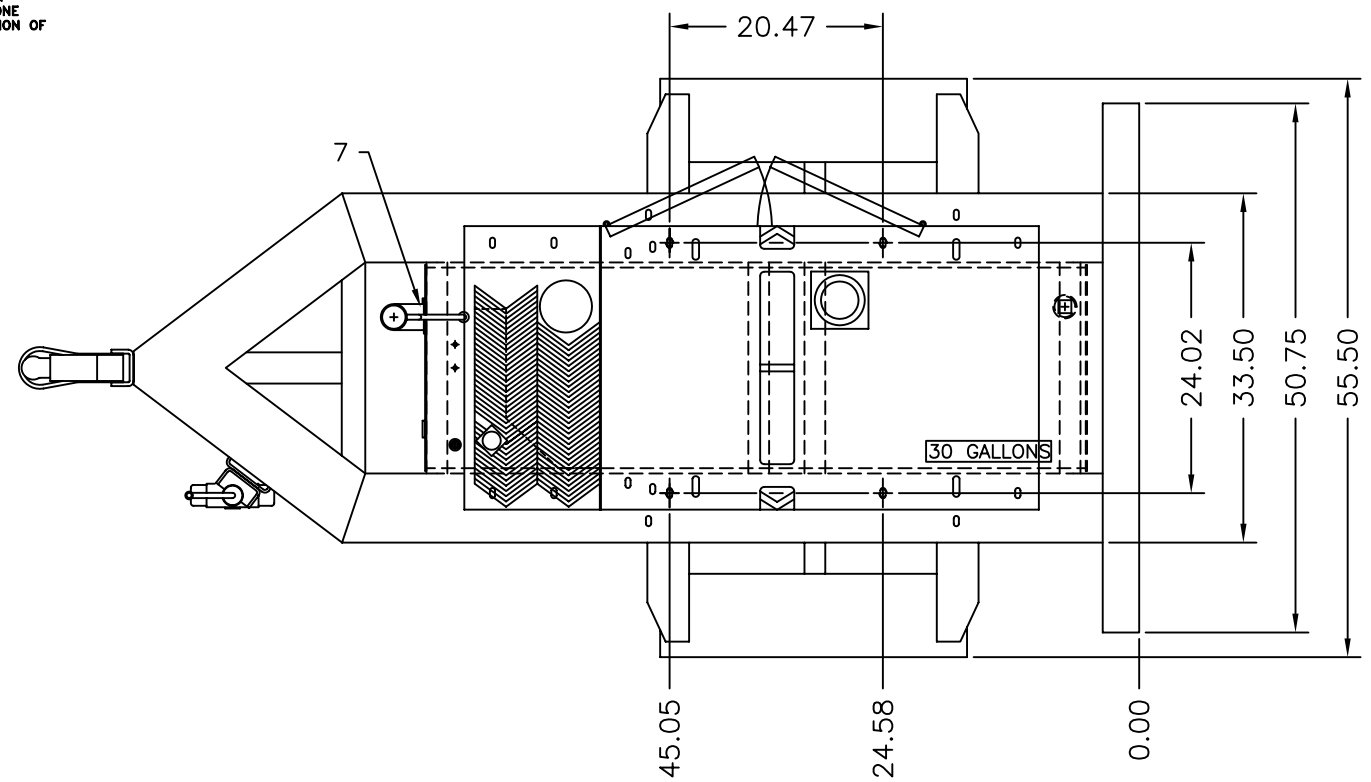


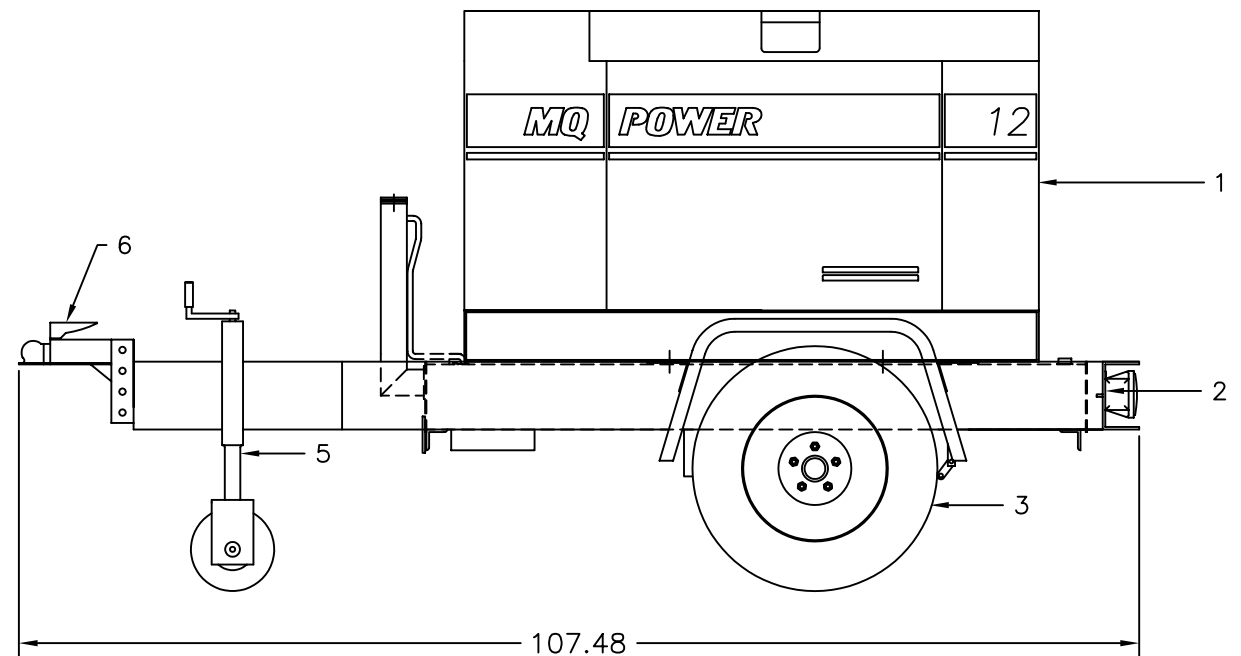
THIS DRAWING AND THE DATA DISCLOSED HEREIN OR HEREWITH IS CONFIDENTIAL AND PROPRIETARY AND IS NOT TO BE REPRODUCED, USED, OR DISCLOSED IN WHOLE OR IN PART TO ANYONE WITHOUT THE EXPRESSED WRITTEN PERMISSION OF MULTIQIP COMPANY.

DWG. NO. 200202

REVISION D



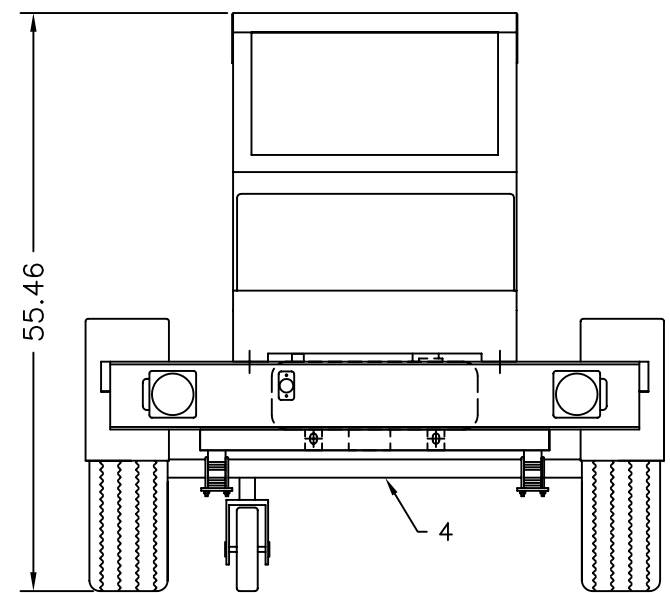
TOP VIEW



SIDE VIEW

PART LISTS				
ITEM	PART NUMBER	QTY	DESCRIPTION	MANUFACTURE
1	TLC 12SPX3	1	12KVA GENSET 12SPX3 GENSET WEIGHT (APPROX.): 948lbs	DENYO
2	TRLR-10MP	1	TRAILER TRAILER WT. ONLY: G.V.W.R.: TONGUE WT.: OVERALL DIMENSION: 108L X 56W X 56H	-
3	-	2	TIRE WHEEL	-
4	-	1	AXLE	-
5	-	1	JACK	-
6	-	1	2" BALL CLASS	-
7	-	1	FUEL TANK CAPACITY:	-

PRELIMINARY DRAWING



END VIEW

UNLESS OTHERWISE SPECIFIED DIMENSIONS ARE IN INCHES TOLERANCES ARE :		CUSTOMER		MQ POWER TEL: (310) 537-3700/FAX: (310) 632-2656 18910 WILMINGTON AVENUE CARSON, CA 90746		
FRACTIONS	DECIMALS	ANGLES	JOB NO.			
±	.XX ±	±				
	.XXX ±					
DERIVED FROM		MATERIAL		TRLR MP w/DCA12SPX3 GENSET		
REV	DATE	FINISH		DRAWN J. TRAN 6-20-01		
D	1-28-03			CHECKED J. ROSE 6-29-01		
CAD CODE 200202D		DO NOT SCALE DRAWING		SALESMAN SCALE 1 = 9		
				SIZE D FSCM NO. 200202 DWG. NO. 200202 SHEET 1 / 1		

DWG. NO. 200202

REVISION D