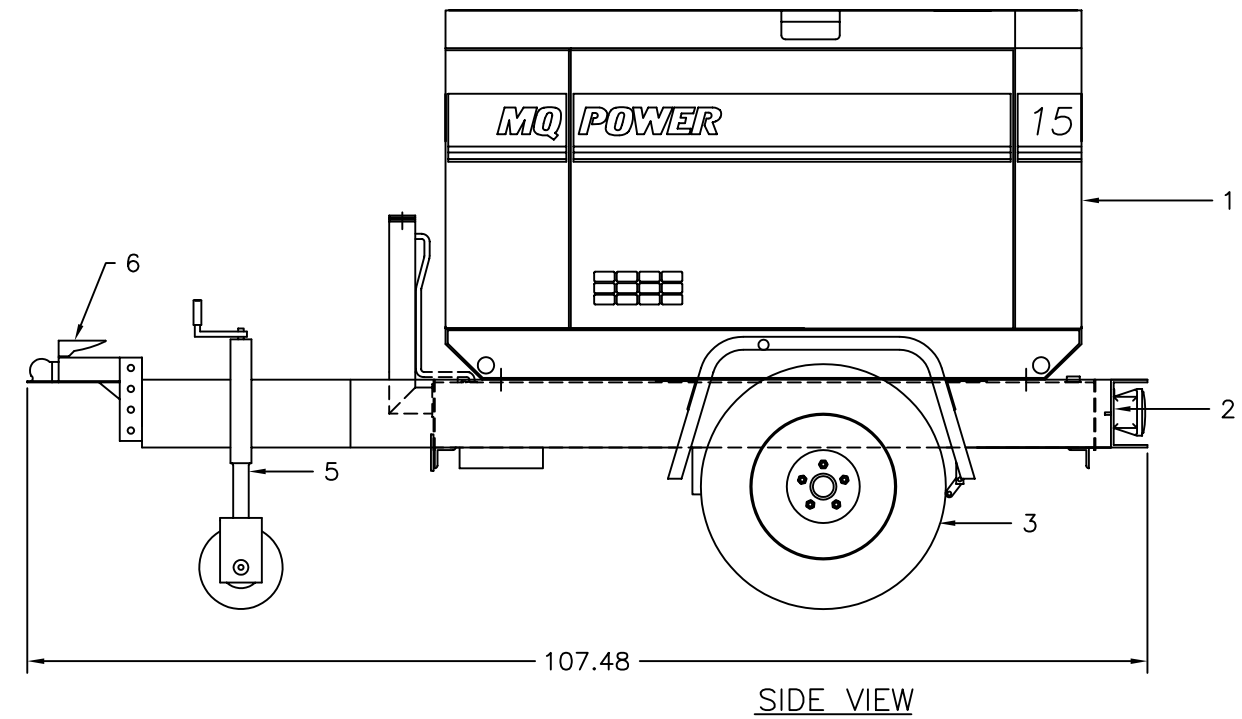
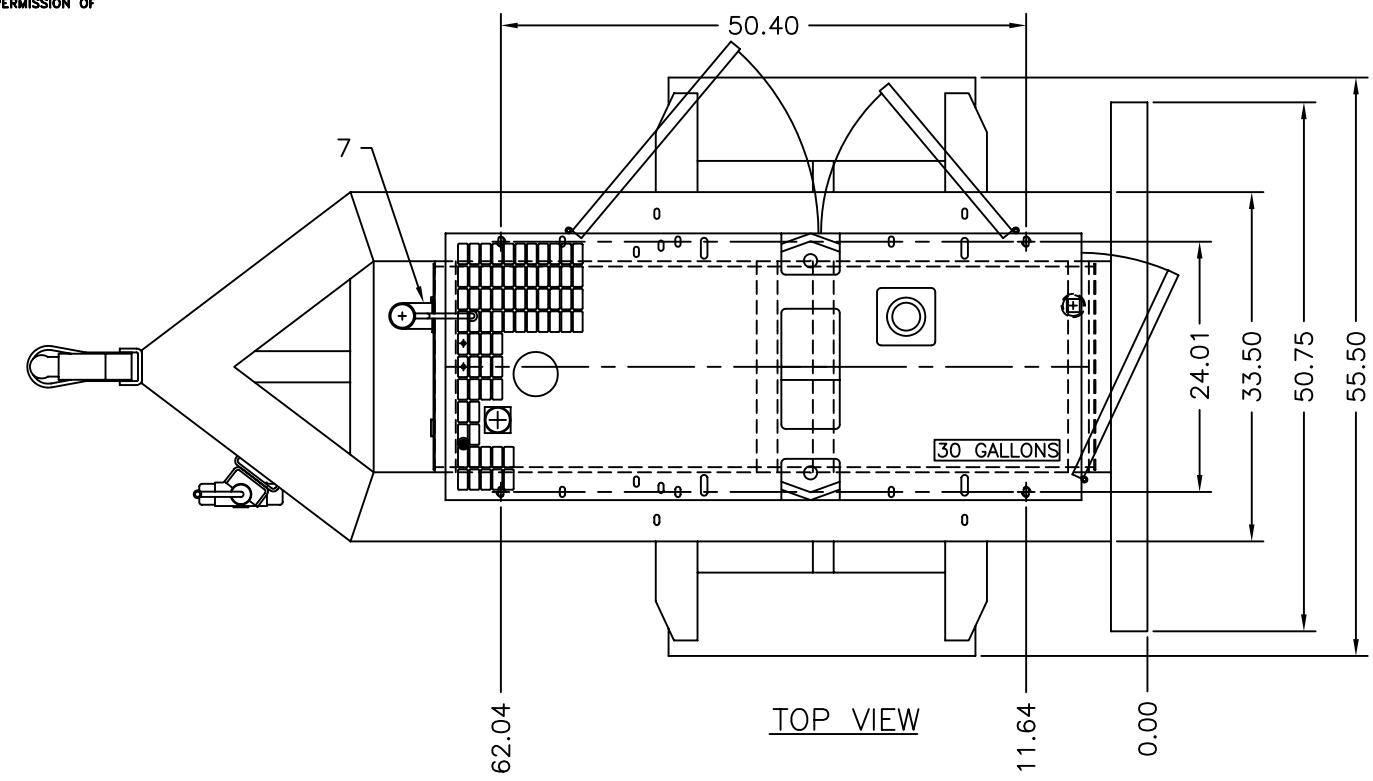


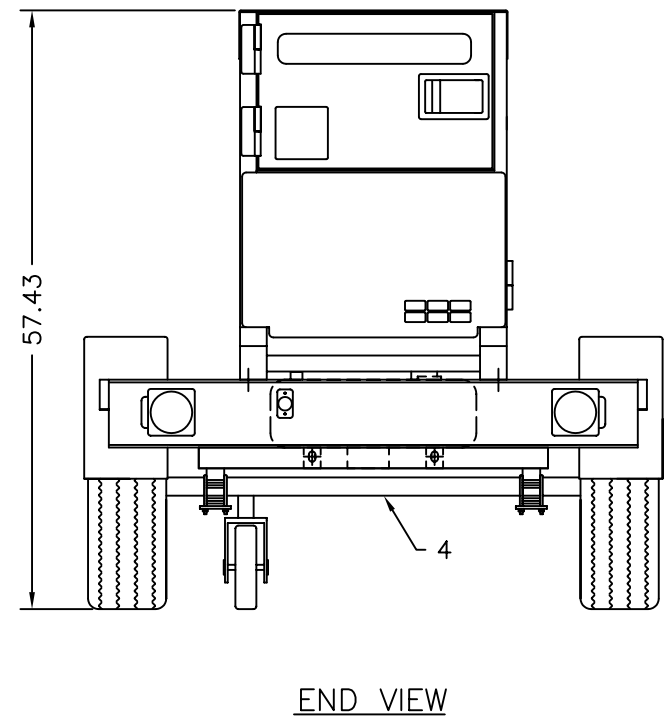
THIS DRAWING AND THE DATA DISCLOSED HEREIN OR HEREWITH IS CONFIDENTIAL AND PROPRIETARY AND IS NOT TO BE REPRODUCED, USED, OR DISCLOSED IN WHOLE OR IN PART TO ANYONE WITHOUT THE EXPRESSED WRITTEN PERMISSION OF MULTQUIP COMPANY.

DWG. NO. 200201 D



PART LISTS				
ITEM	PART NUMBER	QTY	DESCRIPTION	MANUFACTURE
1	DCA 15SPX3	1	15KVA GENSET 15SPX3 GENSET WEIGHT (APPROX.): 1,277lbs	DENYO
2	TRLR-10MP	1	TRAILER TRAILER WT. ONLY: G.V.W.R.: TONGUE WT.: OVERALL DIMENSION: 108L X 56W X 58H	-
3	-	2	TIRE WHEEL	-
4	-	1	AXLE	-
5	-	1	JACK	-
6	-	1	2" BALL CLASS	-
7	-	1	FUEL TANK CAPACITY:	-

PRELIMINARY DRAWING



UNLESS OTHERWISE SPECIFIED DIMENSIONS ARE IN INCHES TOLERANCES ARE :		CUSTOMER		MQ POWER TEL: (310) 537-3700/FAX: (310) 632-2656 18910 WILMINGTON AVENUE CARSON, CA 90746		
FRACTIONS	DECIMALS	ANGLES	JOB NO.			
±	.XX ±	±				
	.XXX ±					
DERIVED FROM		MATERIAL		TRLR MP w/DCA15SPX3 GENSET		
REV	DATE	FINISH		DRAWN	DATE	SIZE
D	1-28-03			J. TRAN	6-18-01	D
CAD CODE 200201D		DO NOT SCALE DRAWING		CHECKED	DATE	FSCM NO.
				J. ROSE	6-29-01	200201
				SALESMAN		DWG. NO.
						200201
						SHEET
						1 / 1
						SCALE
						1 = 9

DWG. NO. 200201 D