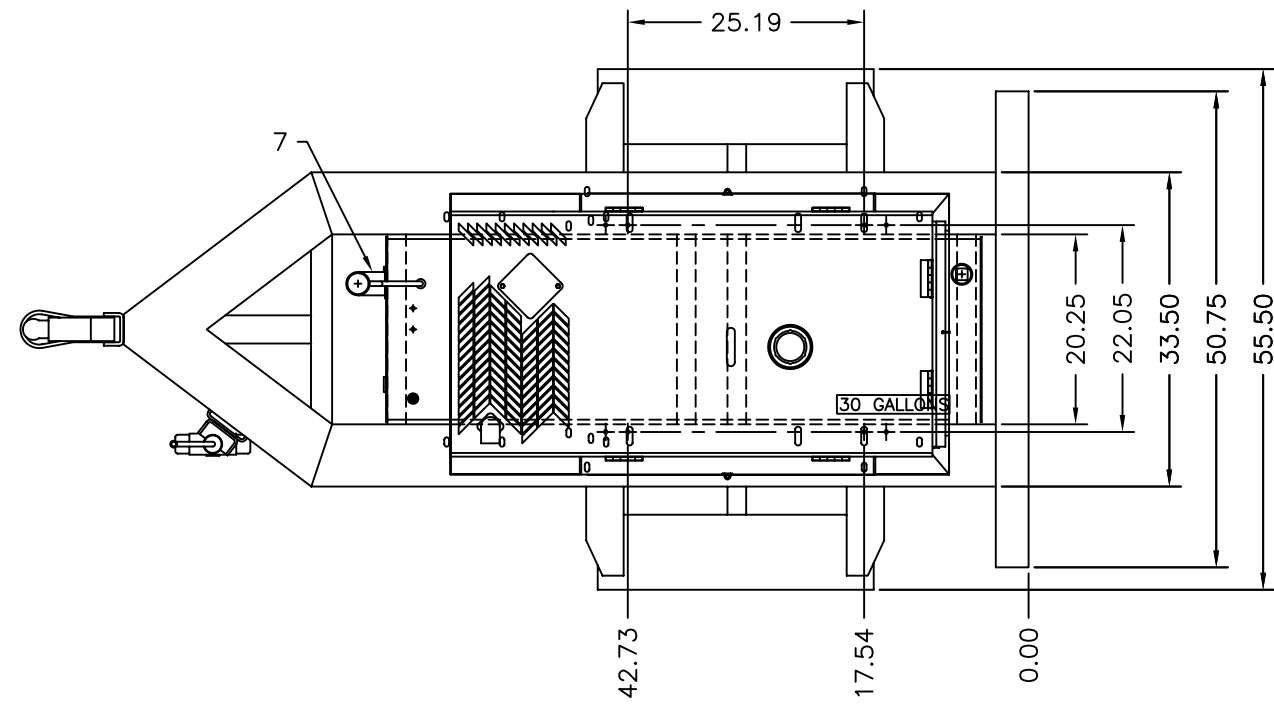
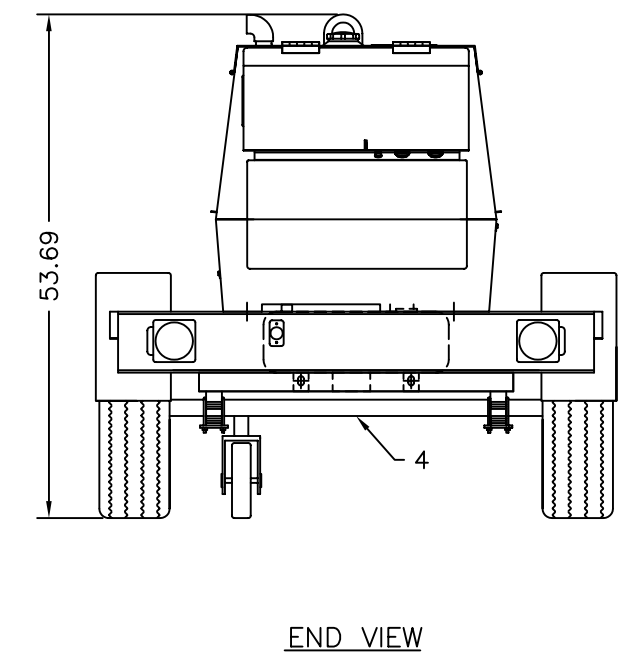
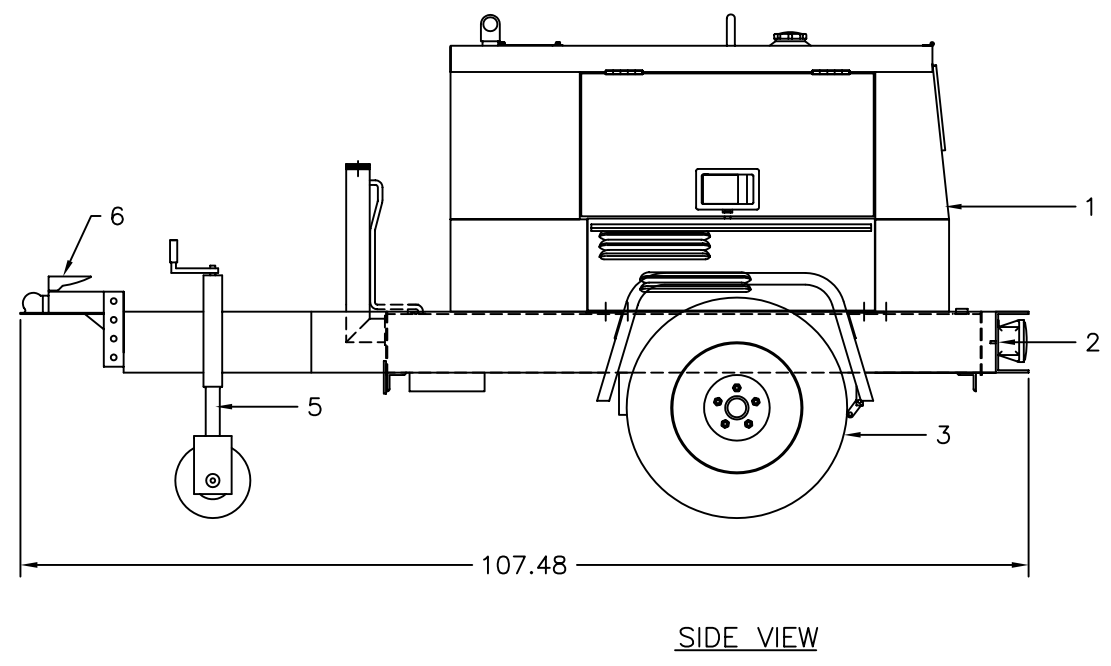


THIS DRAWING AND THE DATA DISCLOSED HEREIN OR HEREWITH IS CONFIDENTIAL AND PROPRIETARY AND IS NOT TO BE REPRODUCED, USED, OR DISCLOSED IN WHOLE OR IN PART TO ANYONE WITHOUT THE EXPRESSED WRITTEN PERMISSION OF MULTIQUIP COMPANY.

PART LISTS				
ITEM	PART NUMBER	QTY	DESCRIPTION	MANUFACTURE
1	SGW250SS	1	250W WELDER 250W WELDER DRY WEIGHT (APPROX.): 892lbs	DENYO
2	-	1	TRAILER TRAILER WT. ONLY: G.V.W.R. (lbs): TONGUE WT.: OVERALL DIMENSION: 108L X 56W X 54H	-
3	-	2	TIRE WHEEL	-
4	-	1	AXLE	-
5	-	1	JACK	-
6	-	1	2" BALL CLASS	-
7	-	1	FUEL TANK CAPACITY:	-



PRELIMINARY DRAWING



UNLESS OTHERWISE SPECIFIED DIMENSIONS ARE IN INCHES TOLERANCES ARE :		CUSTOMER		<b>MQ POWER</b> TEL: (310) 537-3700/FAX: (310) 632-2656 18910 WILMINGTON AVENUE CARSON, CA 90746		
FRACTIONS	DECIMALS	ANGLES	JOB NO.			
±	.XX ±	±		APPROVALS		DATE
	.XXX ±			DRAWN		
DERIVED FROM		MATERIAL		J. TRAN		6-25-01
REV	DATE	FINISH		CHECKED		
D	1-28-03			J. ROSE		6-29-01
CAD CODE 200207D		DO NOT SCALE DRAWING		SALESMAN		
			TRLR MP w/SGW250SS WELDER		SIZE	FSCM NO.
					D	200207
					SCALE	SHEET
					1 = 10	1 / 1

DWG. NO. 200207

SHEET D

A