

8

7

6

5

4

3

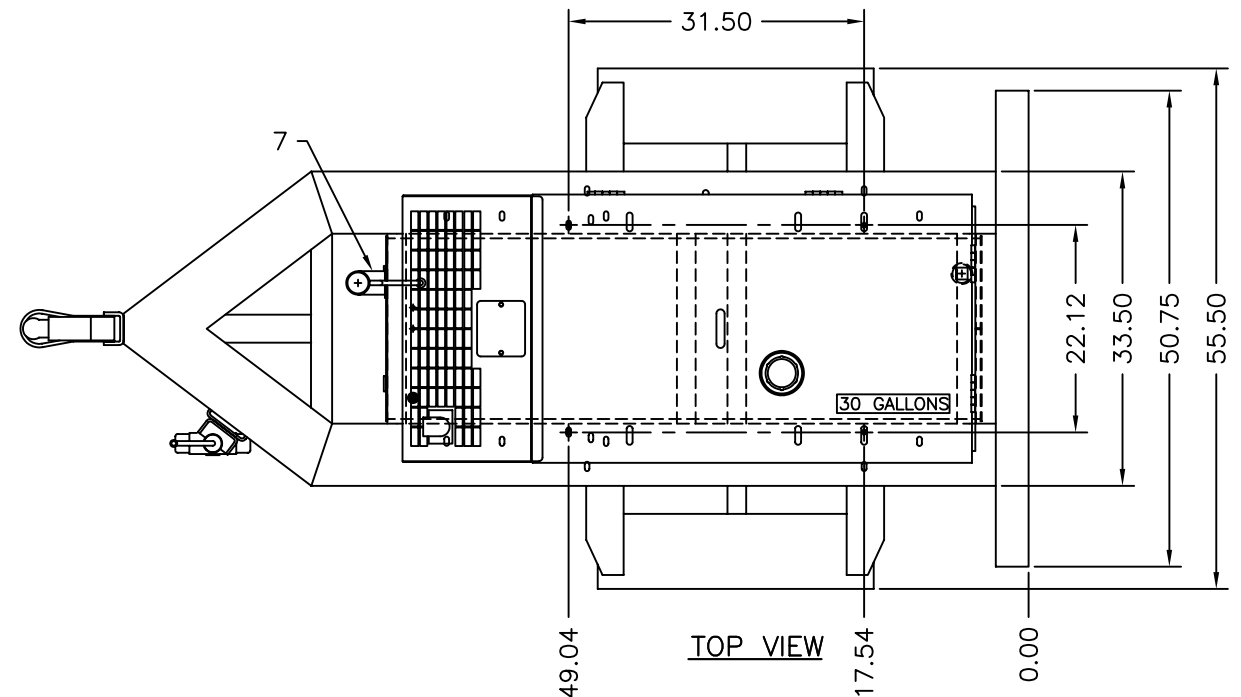
200206

D

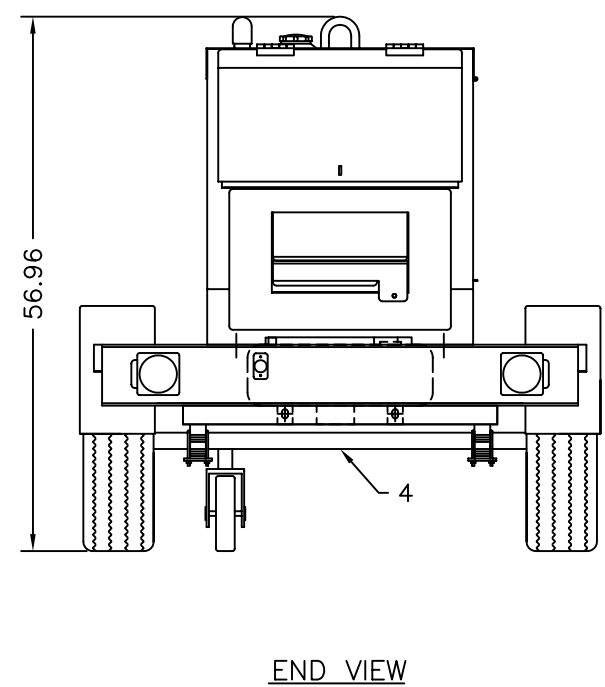
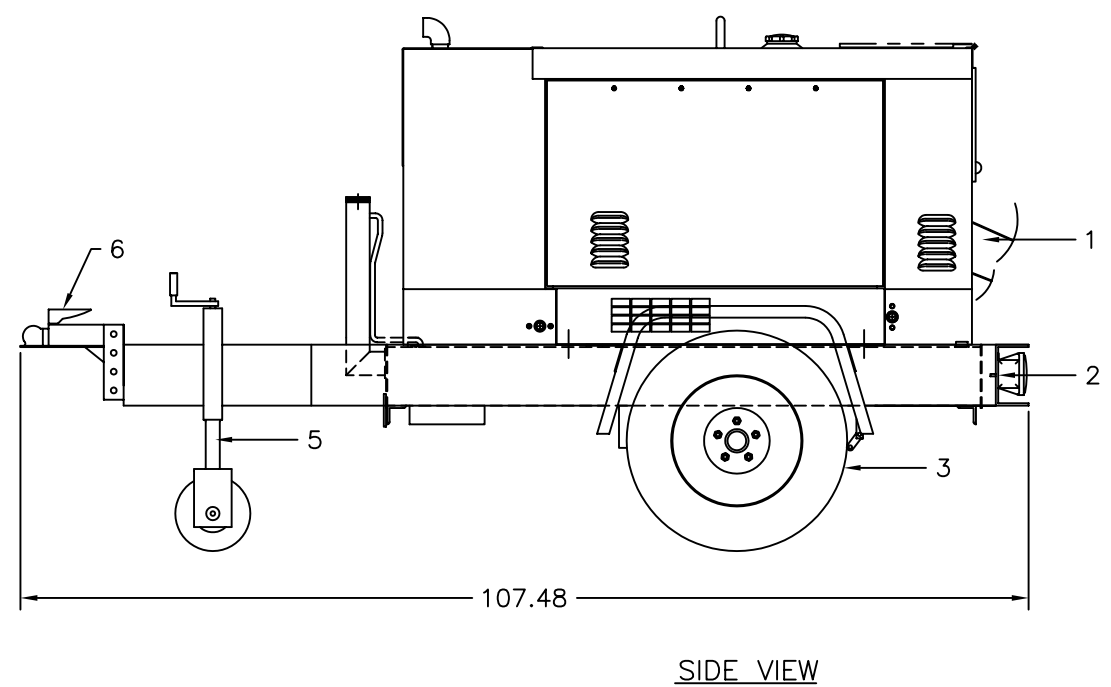
1

THIS DRAWING AND THE DATA DISCLOSED HEREIN OR HEREWITH IS CONFIDENTIAL AND PROPRIETARY AND IS NOT TO BE REPRODUCED, USED, OR DISCLOSED IN WHOLE OR IN PART TO ANYONE WITHOUT THE EXPRESSED WRITTEN PERMISSION OF MULTQUIP COMPANY.

PART LISTS				
ITEM	PART NUMBER	QTY	DESCRIPTION	MANUFACTURE
1	TLW300SS	1	300W WELDER 300W WELDER DRY WEIGHT (APPROX.): 1,145lbs	DENYO
2	-	1	TRAILER: TRAILER WT. ONLY: G.V.W.R.: TONGUE WT.: OVERALL DIMENSION: 108L X 56W X 57H	-
3	-	2	TIRE WHEEL	-
4	-	1	AXLE	-
5	-	1	JACK	-
6	-	1	2" BALL CLASS	-
7	-	1	FUEL TANK CAPACITY:	-



PRELIMINARY DRAWING



UNLESS OTHERWISE SPECIFIED DIMENSIONS ARE IN INCHES TOLERANCES ARE :		CUSTOMER		MQ POWER TEL: (310) 537-3700/FAX: (310) 632-2656 18910 WILMINGTON AVENUE CARSON, CA 90746	
FRACTIONS	DECIMALS	ANGLES	JOB NO.		
±	.XX ±	±		TRLR MP w/TLW300SS WELDER	
DERIVED FROM		MATERIAL	APPROVALS	DATE	
REV	DATE	FINISH	J. TRAN	6-25-01	
D	1-28-03		CHECKED	6-29-01	
CAD CODE	200206D	DO NOT SCALE DRAWING	J. ROSE		
			SALESMAN		
			SCALE	1 = 10	SHEET 1 / 1

D

C

B

A

D

C

B

A

8

7

6

5

4

3

2

1

200206
D