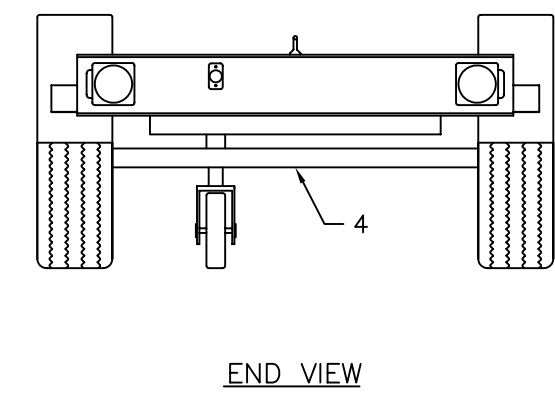
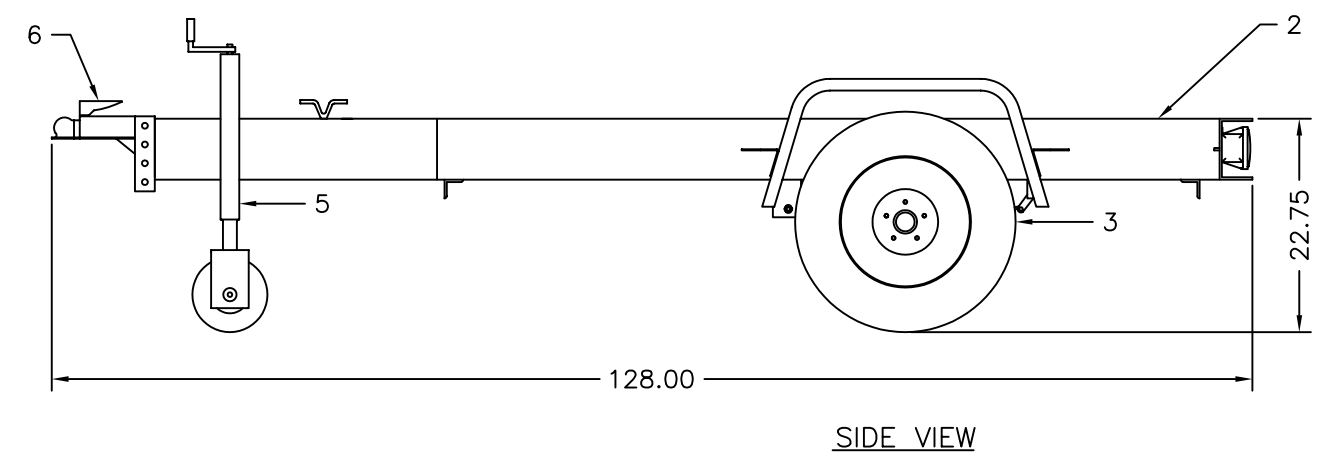
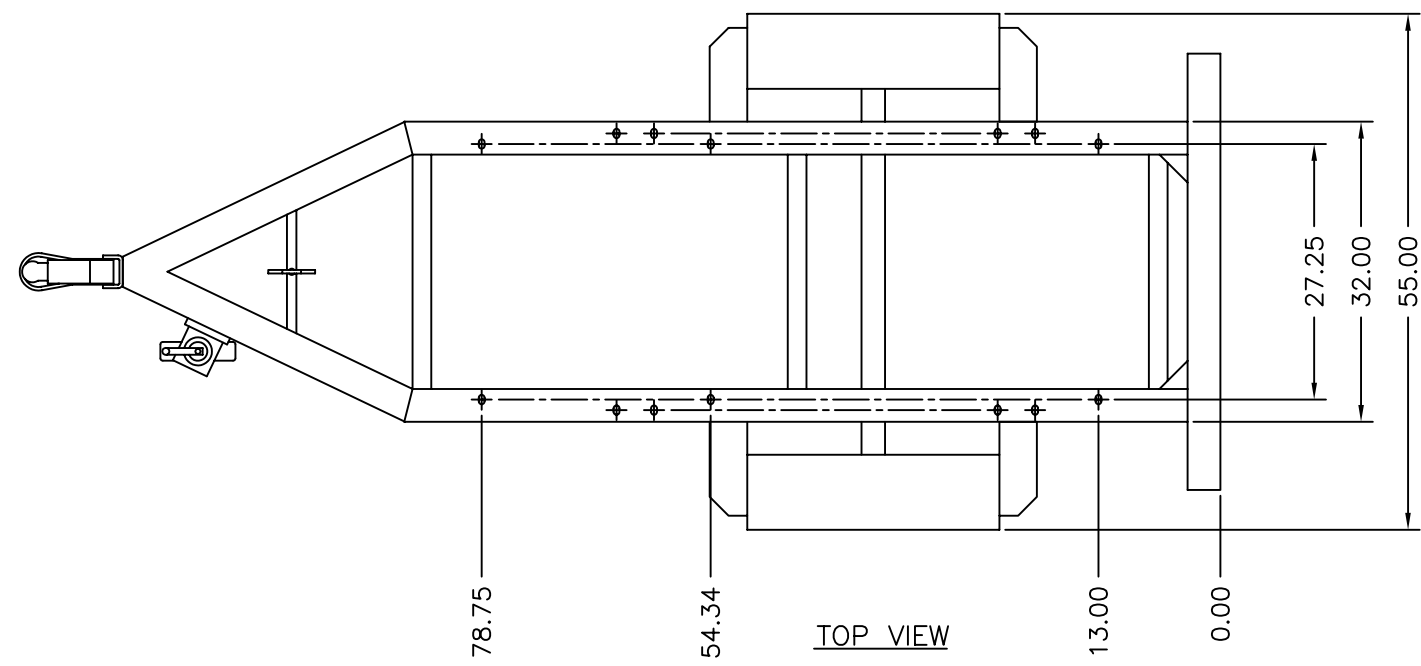


THIS DRAWING AND THE DATA DISCLOSED HEREIN OR HEREWITH IS CONFIDENTIAL AND PROPRIETARY AND IS NOT TO BE REPRODUCED, USED, OR DISCLOSED IN WHOLE OR IN PART TO ANYONE WITHOUT THE EXPRESSED WRITTEN PERMISSION OF MULTIQUIP COMPANY.

DWG. NO. 200711

PART LISTS				
ITEM	PART NUMBER	QTY	DESCRIPTION	MANUFACTURE
1				
2	TRLR50	1	TRAILER (MODEL: TRLR50) TRAILER WT. ONLY: G.V.W.R.: 2,700lbs TONGUE WT.: OVERALL DIMENSION: 128L X 55W X 62H	WHITEMAN
3		4	TIRE B78-13LRC WHEEL 13" X 4.5"	
4		2	AXLE, 3,500lbs RATING	
5	-	1	-	
6	-	1	2" BALL CLASS	



UNLESS OTHERWISE SPECIFIED DIMENSIONS ARE IN INCHES TOLERANCES ARE :		CUSTOMER		MQ POWER TEL: (310) 537-3700/FAX: (310) 632-2656 18910 WILMINGTON AVENUE CARSON, CA 90746		
FRACTIONS	DECIMALS	ANGLES	JOB NO.			
±	.XX ±	±		APPROVALS		DATE
	.XXX ±			DRAWN		
DERIVED FROM		MATERIAL		B. BOWDEN		1/28/03
REV	DATE	FINISH		CHECKED		
CAD CODE 200711		DO NOT SCALE DRAWING		J. ROSE		
				SALESMAN		
				SCALE		1 = 10
				SIZE		D
				FSCM NO.		200711
				DWG. NO.		200711
				SHEET		1 / 1

DWG. NO. 200711

D

C

B

A

D

C

B

A

8

7

6

5

4

3

200711

1

8

7

6

5

4

3

2

1