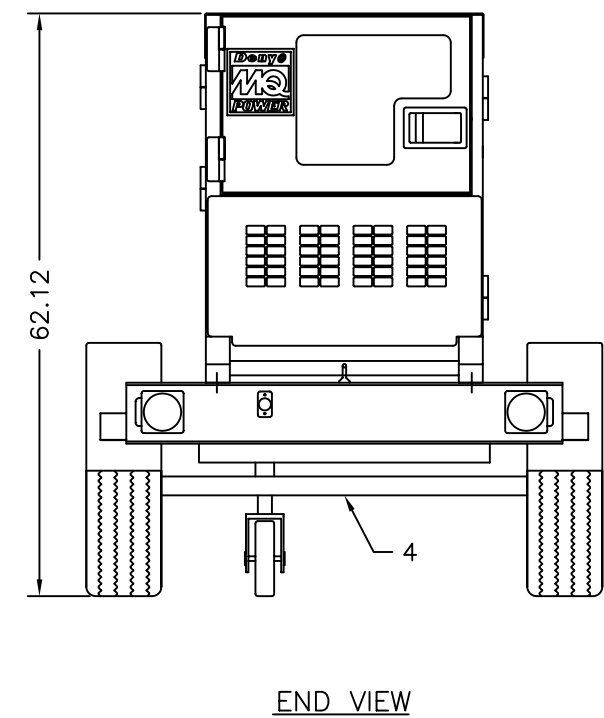
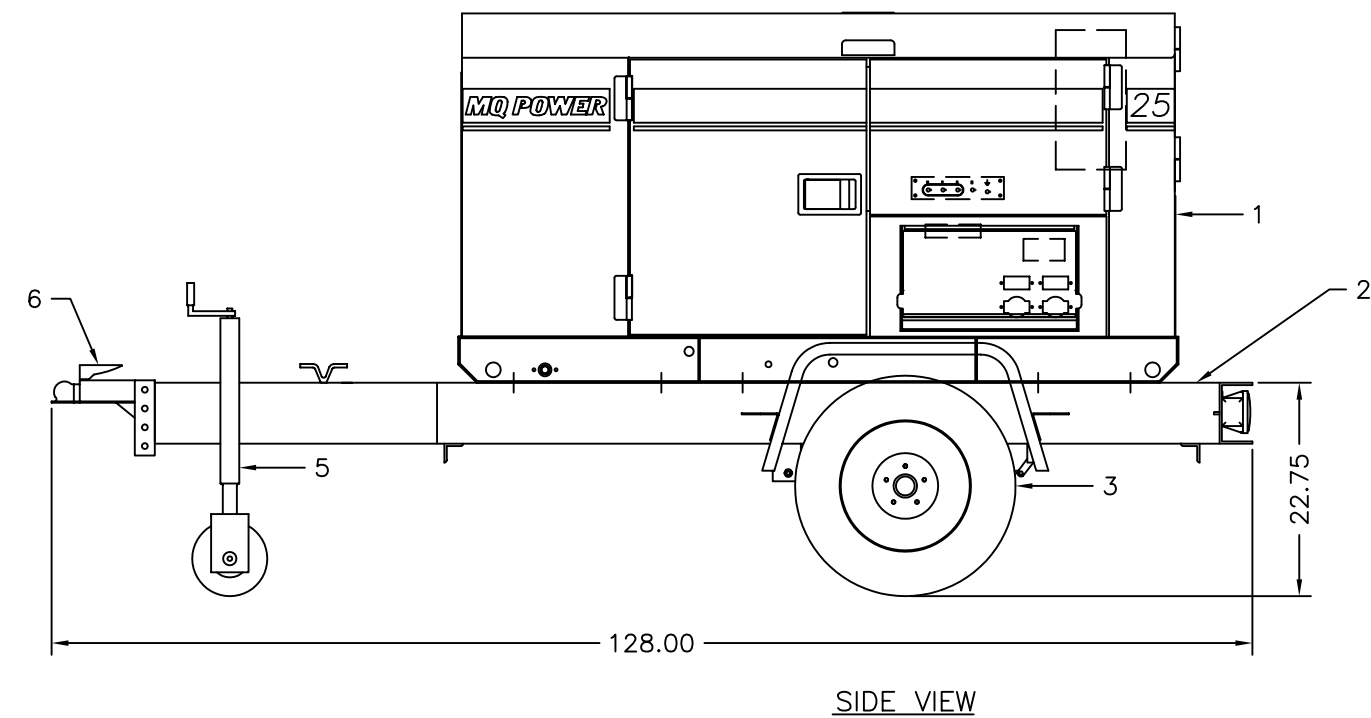
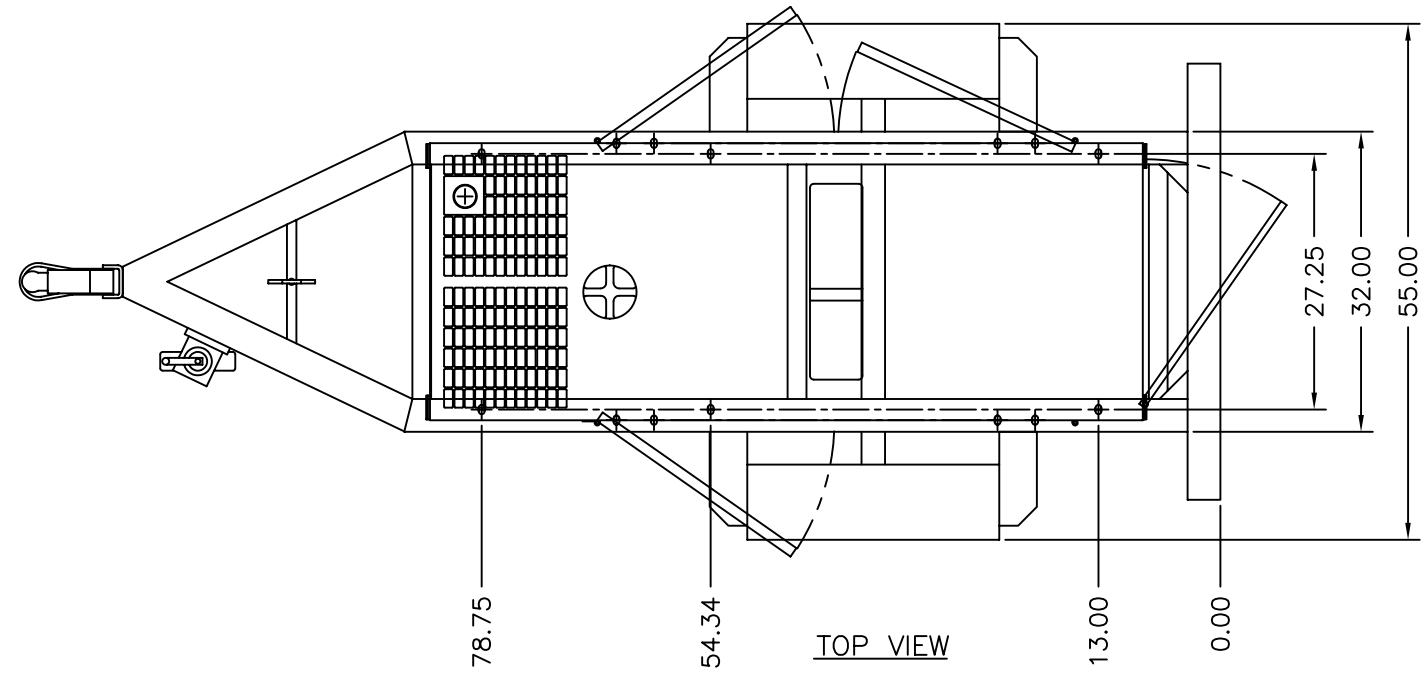


THIS DRAWING AND THE DATA DISCLOSED HEREIN OR HEREWITH IS CONFIDENTIAL AND PROPRIETARY AND IS NOT TO BE REPRODUCED, USED, OR DISCLOSED IN WHOLE OR IN PART TO ANYONE WITHOUT THE EXPRESSED WRITTEN PERMISSION OF MULTQUIP COMPANY.

DWG. NO. 200712

PART LISTS				
ITEM	PART NUMBER	QTY	DESCRIPTION	MANUFACTURE
1	DCA25SSIU	1	25KVA GENSET 25SSIU GENSET WEIGHT (APPROX.): 1,543lbs	DENYO
2	TRLR50	1	TRAILER (MODEL: TRLR50) TRAILER WT. ONLY: G.V.W.R.: 2,700lbs TONGUE WT.: OVERALL DIMENSION: 128L X 55W X 62H	WHITEMAN
3		4	TIRE B78-13LRC WHEEL 13" X 4.5"	
4		2	AXLE, 3,500lbs RATING	
5	-	1	-	
6	-	1	2" BALL CLASS	



UNLESS OTHERWISE SPECIFIED DIMENSIONS ARE IN INCHES TOLERANCES ARE :		CUSTOMER		MQ POWER TEL: (310) 537-3700/FAX: (310) 632-2656 18910 WILMINGTON AVENUE CARSON, CA 90746		
FRACTIONS	DECIMALS	ANGLES	JOB NO.			
±	.XX ±	±				
	.XXX ±					
DERIVED FROM	MATERIAL	APPROVALS	DATE	TRLR 50 w/DCA25SSIU GENSET		
REV	DATE	FINISH		DRAWN	B. BOWDEN	1/28/03
CAD CODE	200712	DO NOT SCALE DRAWING		CHECKED	J. ROSE	
				SALESMAN		
				SIZE	D	FSCM NO.
				SCALE	1 = 10	DWG. NO.
						200712
						SHEET
						1 / 1

DWG. NO. 200712

REVISION