

8

7

6

5

4

3

DWG. NO. 200198

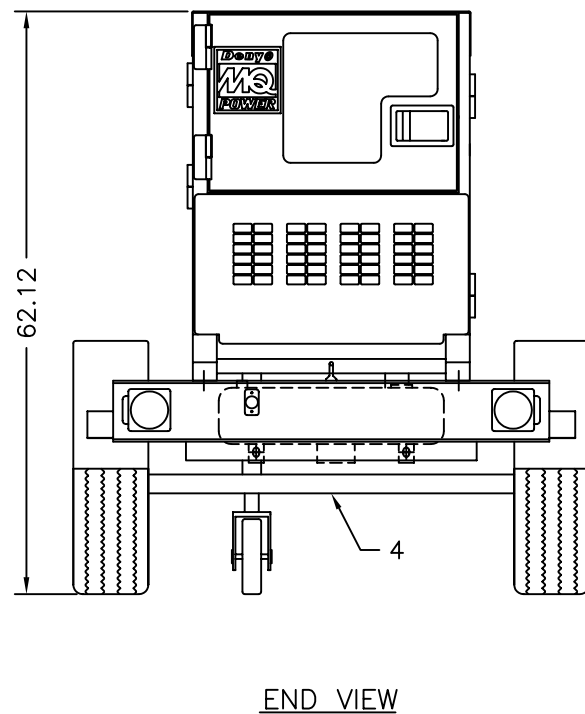
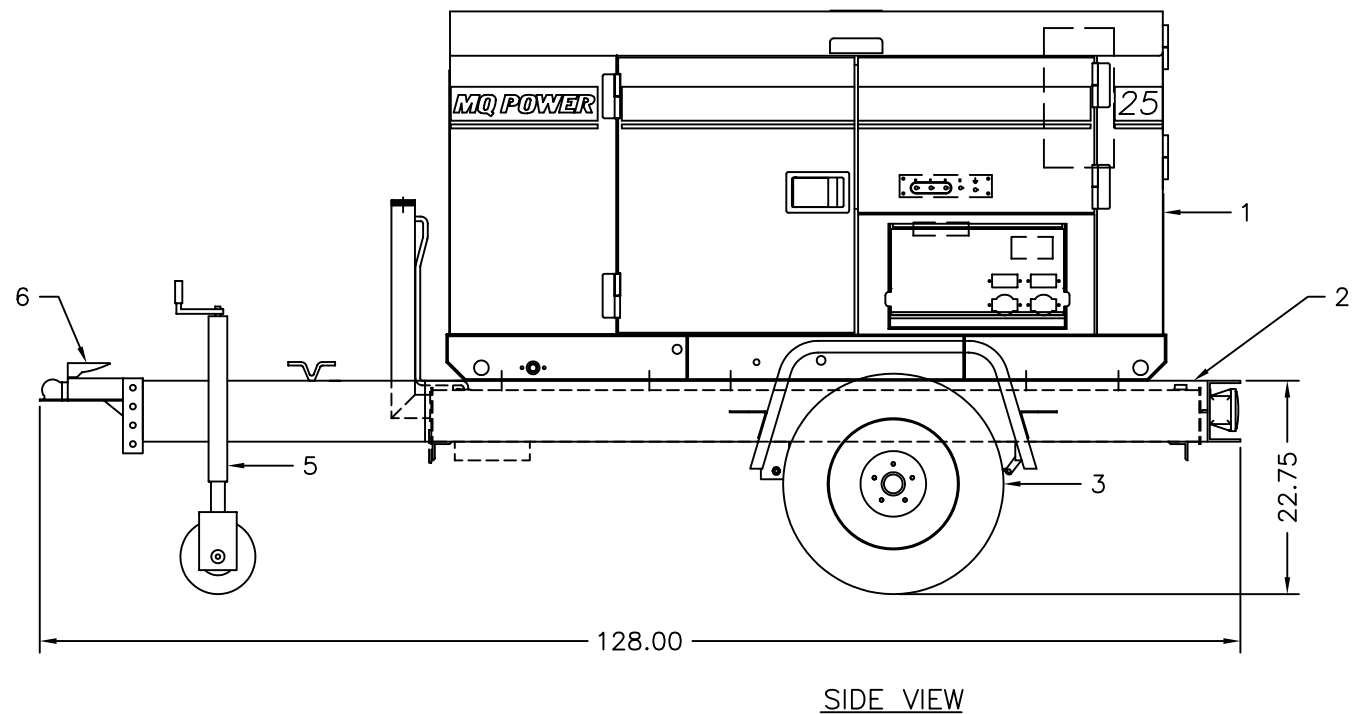
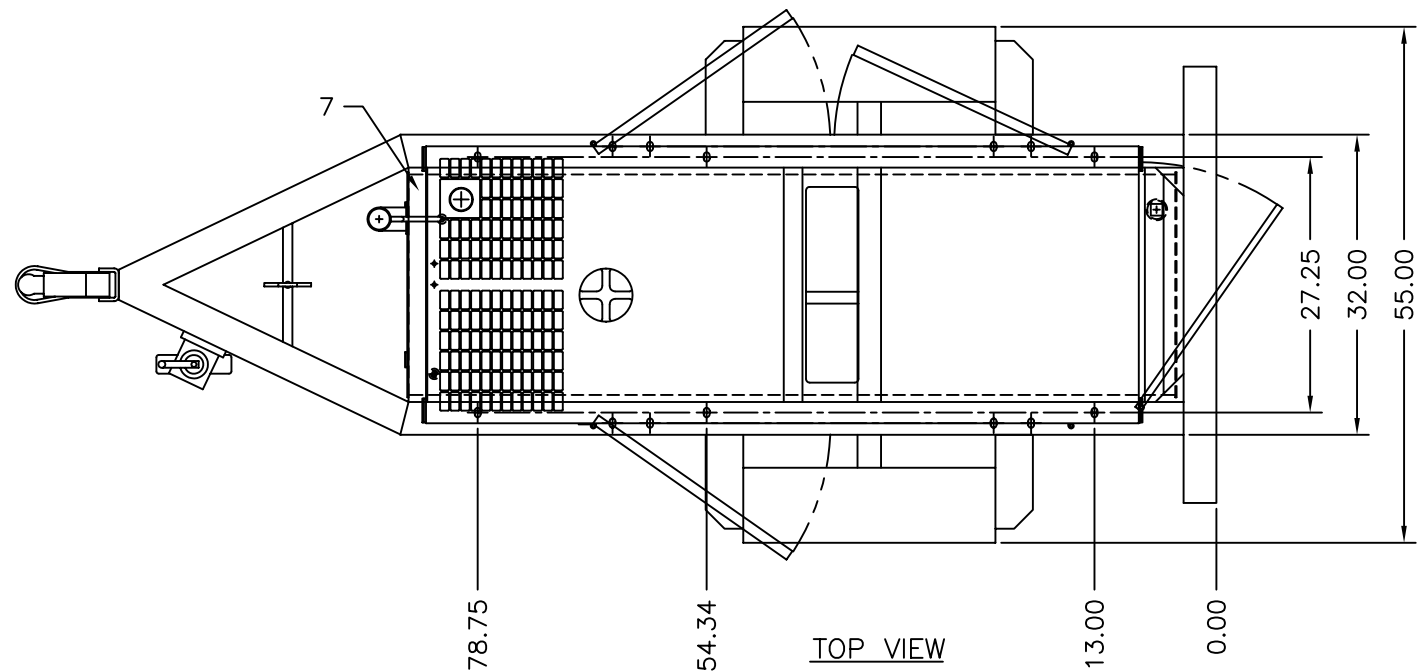
REVISION A

1

THIS DRAWING AND THE DATA DISCLOSED HEREIN OR HEREWITH IS CONFIDENTIAL AND PROPRIETARY AND IS NOT TO BE REPRODUCED, USED, OR DISCLOSED IN WHOLE OR IN PART TO ANYONE WITHOUT THE EXPRESSED WRITTEN PERMISSION OF MULTQUIP COMPANY.

PART LISTS

ITEM	PART NUMBER	QTY	DESCRIPTION	MANUFACTURE
1	DCA25SSIU	1	25KVA GENSET 25SSIU GENSET WEIGHT (APPROX.): 1,543lbs	DENYO
2	TRLR50XF	1	TRAILER (MODEL: TRLR50XF) TRAILER WT. ONLY: G.V.W.R.: 2,700lbs TONGUE WT.: OVERALL DIMENSION: 128L X 55W X 62H	WHITEMAN
3		4	TIRE B78-13LRC WHEEL 13" X 4.5"	
4		2	AXLE, 3,500lbs RATING	
5	-	1	-	
6	-	1	2" BALL CLASS	
7	5712	1	FUEL TANK CAPACITY: 41GAL	TRANSFER FLOW



UNLESS OTHERWISE SPECIFIED DIMENSIONS ARE IN INCHES TOLERANCES ARE : FRACTIONS DECIMALS ANGLES ± .XX ± ± .XXX ±

CUSTOMER JOB NO. APPROVALS DATE

MQ POWER TEL: (310) 537-3700/FAX: (310) 632-2656 18910 WILMINGTON AVENUE CARSON, CA 90746

DERIVED FROM	MATERIAL
REV DATE	FINISH
A 1/28/03	
CAD CODE 200198A	DO NOT SCALE DRAWING

DRAWN J. TRAN	DATE 6-11-01
CHECKED J. ROSE	
SALESMAN	

TRLR 50XF w/DCA25SSIU GENSET
SIZE D
SCALE 1 = 10

FSCM NO.	DWG. NO. 200198
SHEET	1 / 1

8

7

6

5

4

3

2

1

DWG. NO. 200198

REVISION A

1