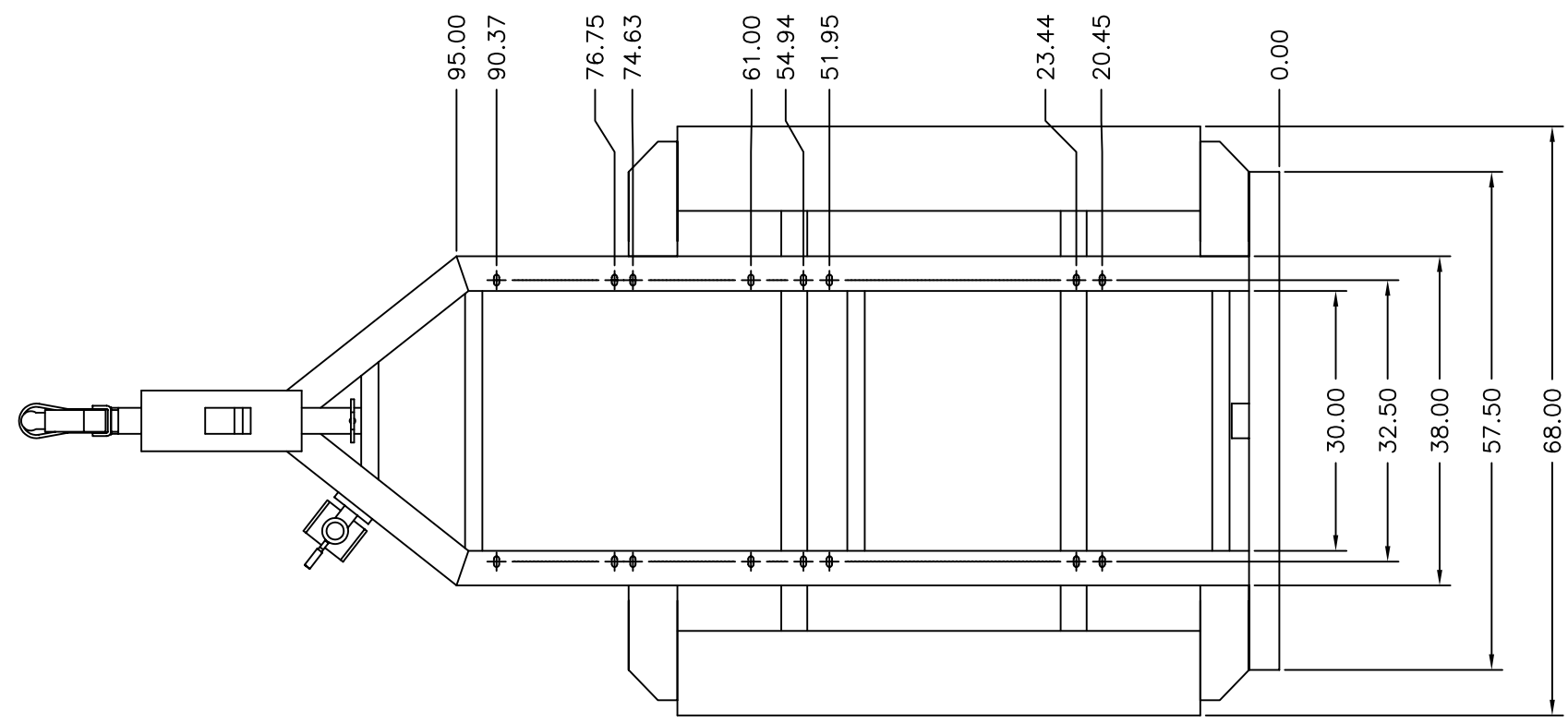


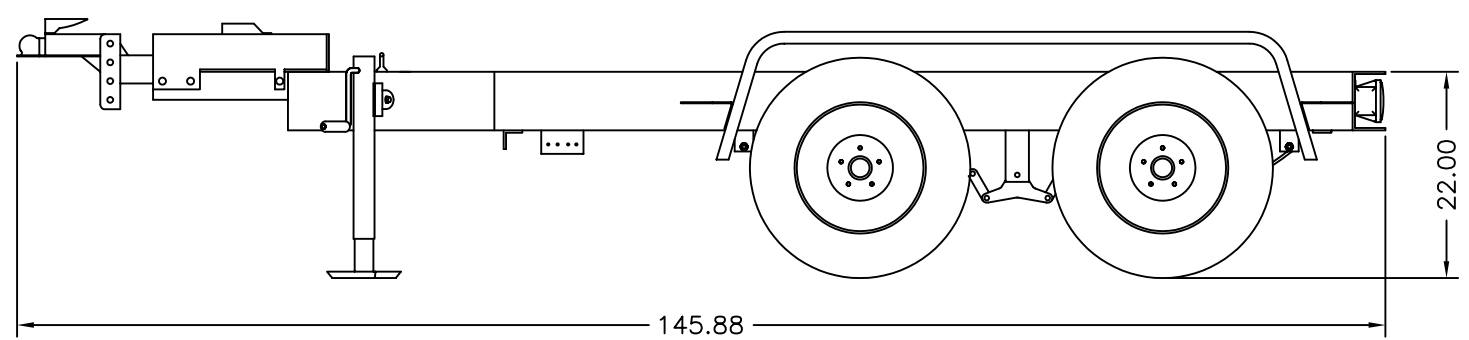
THIS DRAWING AND THE DATA DISCLOSED HEREIN OR HEREWITH IS CONFIDENTIAL AND PROPRIETARY AND IS NOT TO BE REPRODUCED, USED, OR DISCLOSED IN WHOLE OR IN PART TO ANYONE WITHOUT THE EXPRESSED WRITTEN PERMISSION OF MULTIQUIP COMPANY.

DWG. NO. 200097 D 1

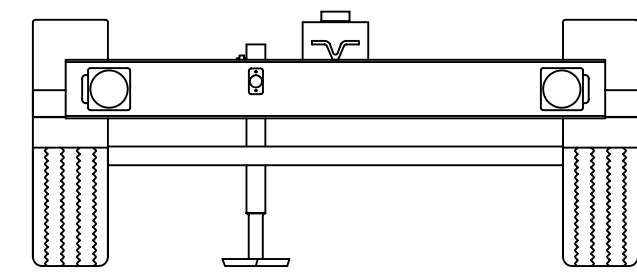
REVISIONS				
ZONE	LTR	DESCRIPTION	DATE	APPROVED
D		UPDATE DRAWING	1-28-03	JT



TOP VIEW



SIDE VIEW



END VIEW

70 GENERATOR TRAILER	
LENGTH	146"
WIDTH	68"
FRAME WIDTH	38"
AXLE	3500# (QTY 2)
TIRES	205-75D14C (QTY 4)
WHEELS	5 x 4-1/2
GVWR	6000#
JACK	2K FULTON
HITCH	COUPLER, 2" BALL

UNLESS OTHERWISE SPECIFIED DIMENSIONS ARE IN INCHES TOLERANCES ARE :		CUSTOMER		MQ POWER TEL: (310) 537-3700/FAX: (310) 632-2656 18910 WILMINGTON AVENUE CARSON, CA 90746	
FRACTIONS	DECIMALS	ANGLES	JOB NO.		
±	.XX ±	±			
	.XXX ±				
DERIVED FROM		MATERIAL	DRAWN	TRLR 70	
REV	DATE	FINISH	J. TRAN	11-13-00	
D	1-28-03		CHECKED		
CAD CODE 200097D		DO NOT SCALE DRAWING	J. ROSE		
			SALESMAN		
SIZE	FSCM NO.	DWG. NO.			
D		200097			
SCALE		SHEET			
1 = 10		1 / 1			

DWG. NO. 200097 D