

8

7

6

5

4

3

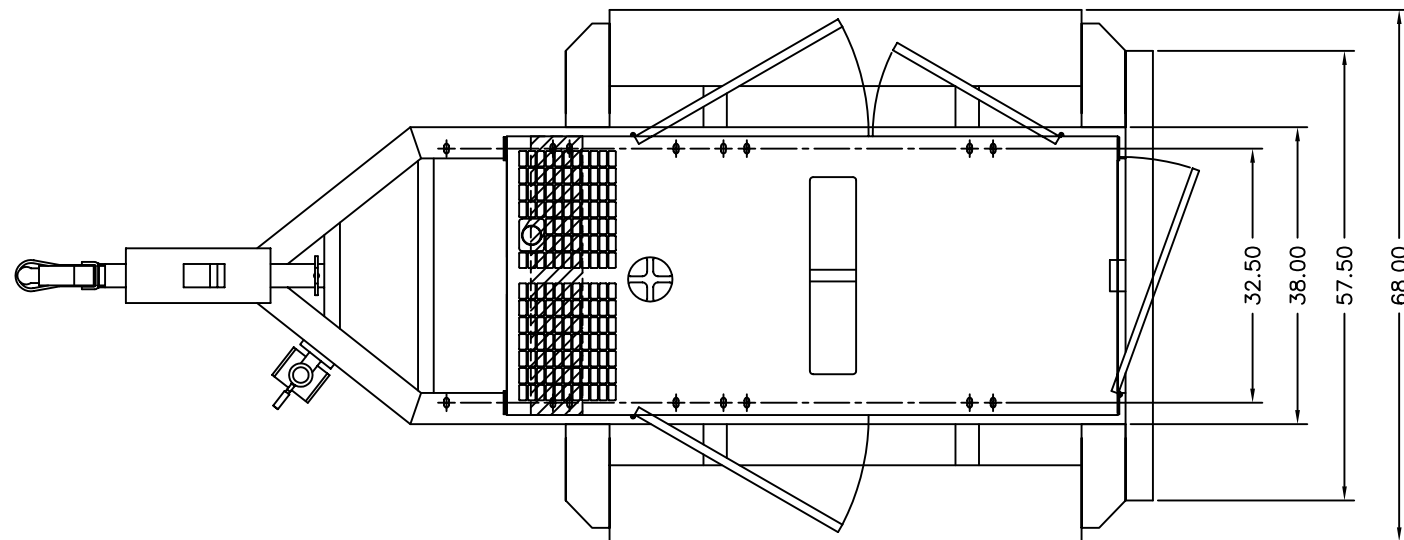
200706

1

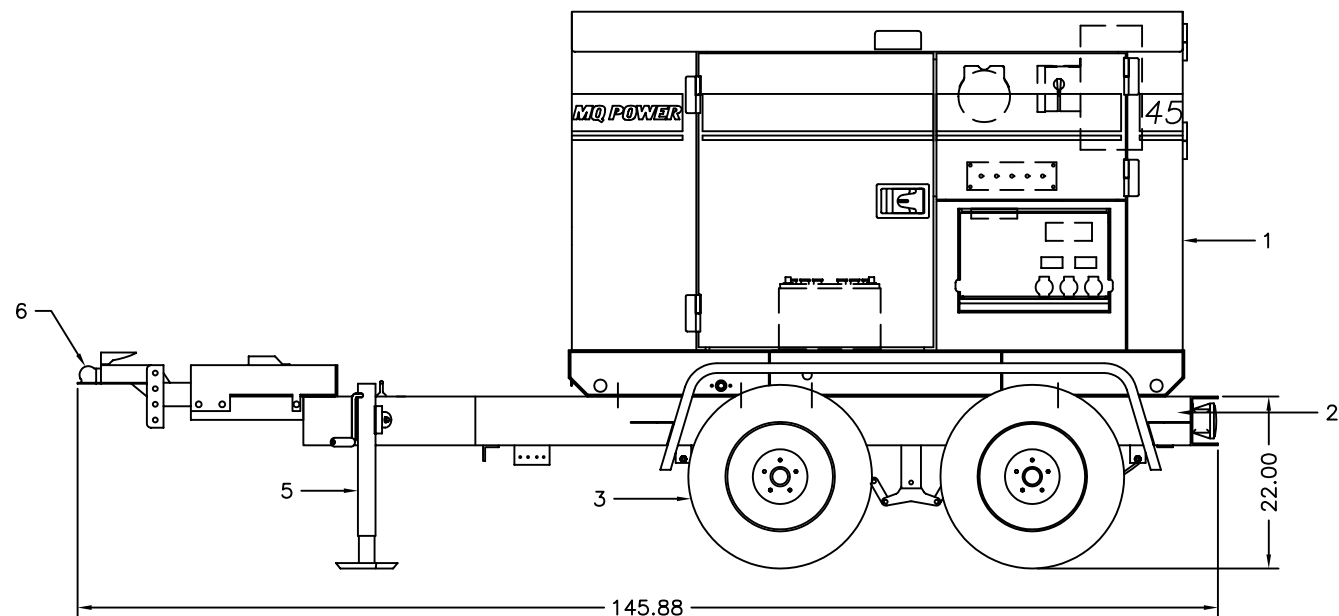
THIS DRAWING AND THE DATA DISCLOSED HEREIN OR HEREWITH IS CONFIDENTIAL AND PROPRIETARY AND IS NOT TO BE REPRODUCED, USED, OR DISCLOSED IN WHOLE OR IN PART TO ANYONE WITHOUT THE EXPRESSED WRITTEN PERMISSION OF MULTQUIP COMPANY.

PART LISTS

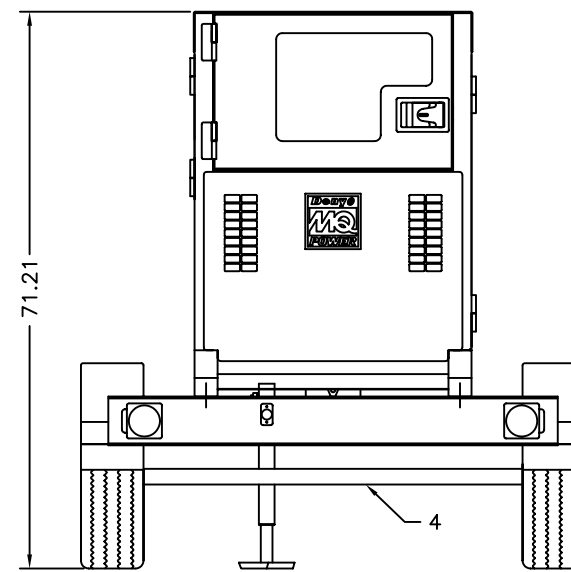
ITEM	PART NUMBER	QTY	DESCRIPTION	MANUFACTURE
1	DCA45SSIU	1	45KVA GENSET 45SSIU GENSET WEIGHT (APPROX.): 2,470lbs	DENYO
2	TRLR70	1	TRAILER (MODEL: TRLR70) TRAILER WT. (APPROX.) ONLY: G.V.W.R.: 6,000lbs TONGUE WT.: OVERALL DIMENSION: 146L X 68W X 71H	
3		4	WHEEL/TIRE, 205-75D14C, 5 X 4-1/2	
4		2	AXLE, 3,500lbs RATING	
5		1	JACK, 2K FULTON	
6		1	COUPLER, 2" BALL	



TOP VIEW



SIDE VIEW



END VIEW

UNLESS OTHERWISE SPECIFIED
DIMENSIONS ARE IN INCHES
TOLERANCES ARE :
FRACTIONS DECIMALS ANGLES
± .XX ± ±
.XXX ±

CUSTOMER
JOB NO.
APPROVALS DATE
DRAWN J. TRAN 1-28-03

MQ POWER
TEL: (310) 537-3700/FAX: (310) 632-2656
18910 WILMINGTON AVENUE
CARSON, CA 90746

DERIVED FROM	MATERIAL	DRAWN	TRLR 70 w/DCA45SSIU GENSET		
REV	DATE	CHECKED	SIZE	FSCM NO.	DWG. NO.
		J. ROSE	D		200706
CAD CODE	DO NOT SCALE DRAWING	SALESMAN	SCALE	SHEET	
			1 = 12	1 / 1	

8

7

6

5

4

3

2

1

200706

A