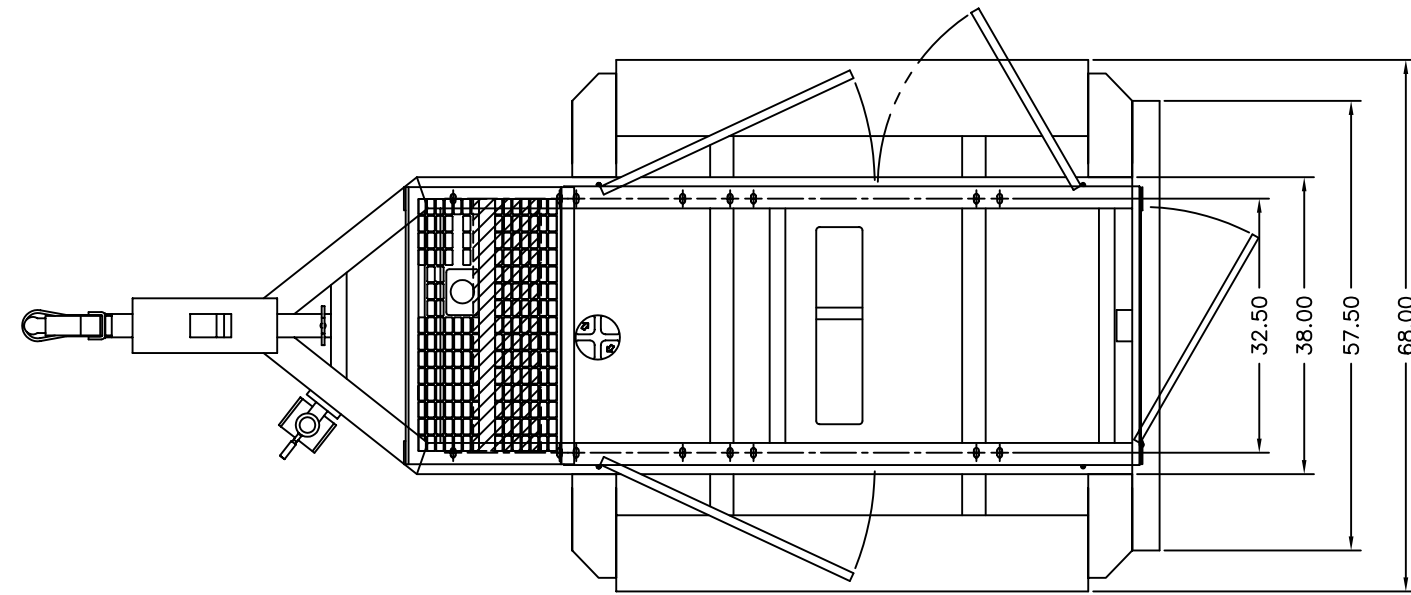


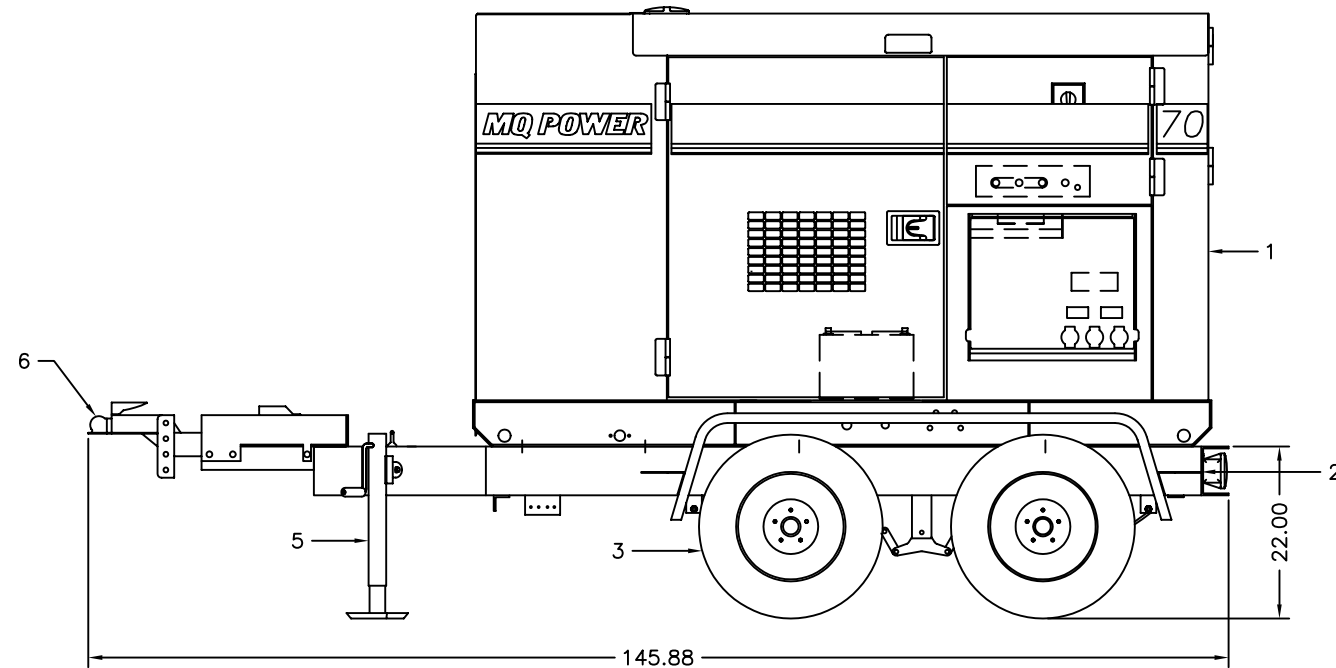
THIS DRAWING AND THE DATA DISCLOSED HEREIN OR HEREWITH IS CONFIDENTIAL AND PROPRIETARY AND IS NOT TO BE REPRODUCED, USED, OR DISCLOSED IN WHOLE OR IN PART TO ANYONE WITHOUT THE EXPRESSED WRITTEN PERMISSION OF MULTQUIP COMPANY.

DWG. NO. 200708

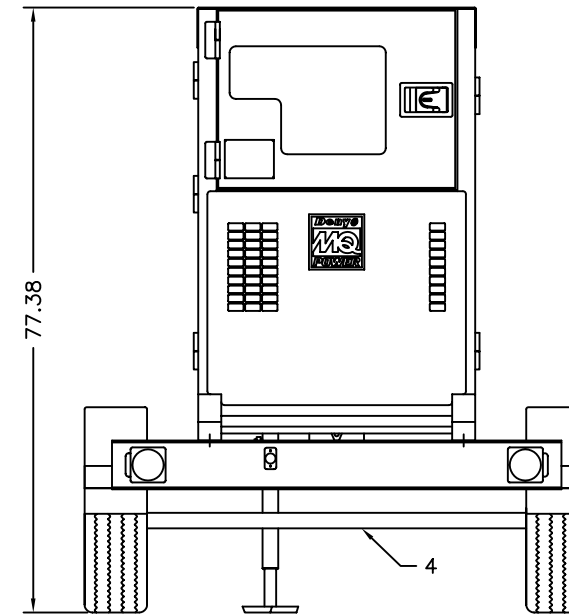
PART LISTS				
ITEM	PART NUMBER	QTY	DESCRIPTION	MANUFACTURE
1	DCA70SSJU	1	70KVA GENSET 70SSJU GENSET WEIGHT (APPROX.): 3,246lbs	DENYO
2	TRLR70	1	TRAILER (MODEL: TRLR70) TRAILER WT. (APPROX.) ONLY: G.V.W.R.: 6,000lbs TONGUE WT.: OVERALL DIMENSION: 146L X 68W X 78H	
3		4	WHEEL/TIRE, 205-75D14C, 5 X 4-1/2	
4		2	AXLE, 3,500lbs RATING	
5		1	JACK, 2K FULTON	
6		1	COUPLER, 2" BALL	



TOP VIEW



SIDE VIEW



END VIEW

UNLESS OTHERWISE SPECIFIED DIMENSIONS ARE IN INCHES TOLERANCES ARE :		CUSTOMER		<b>MQ POWER</b> TEL: (310) 537-3700/FAX: (310) 632-2656 18910 WILMINGTON AVENUE CARSON, CA 90746		
FRACTIONS	DECIMALS	ANGLES	JOB NO.			
±	.XX ±	±		APPROVALS		DATE
	.XXX ±			DRAWN		
DERIVED FROM	MATERIAL	J. TRAN		1-28-03		
REV	DATE	FINISH	CHECKED		J. ROSE	
CAD CODE	DO NOT SCALE DRAWING		SALESMAN		TRLR 70 w/DCA70SSJU GENSET	
				SIZE	FSCM NO.	DWG. NO.
				D		200708
				SCALE	SHEET	
				1 = 12	1 / 1	

DWG. NO. 200708

SHEET

A