

8

7

6

5

4

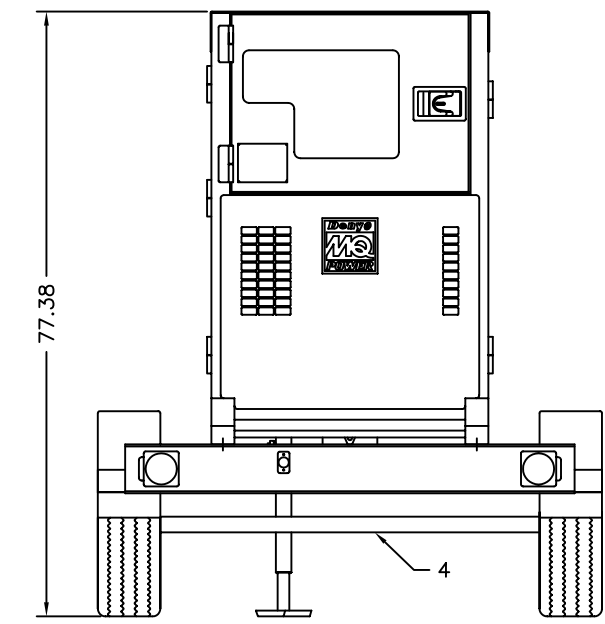
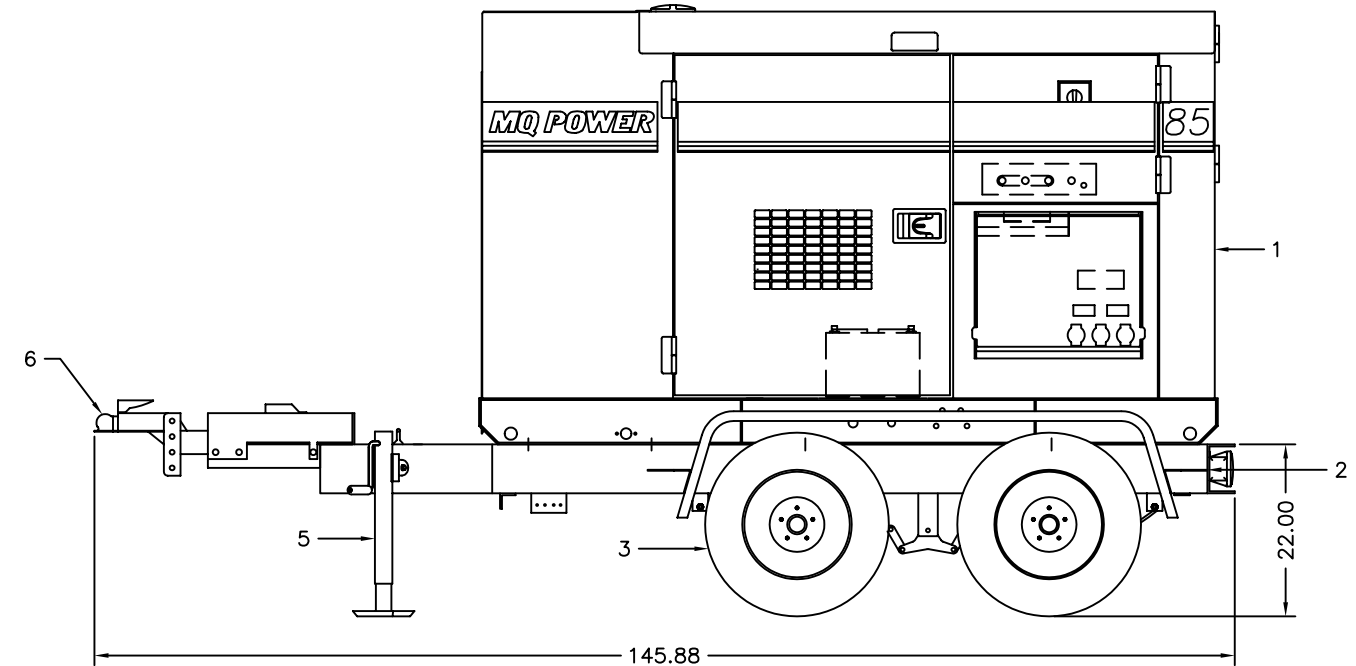
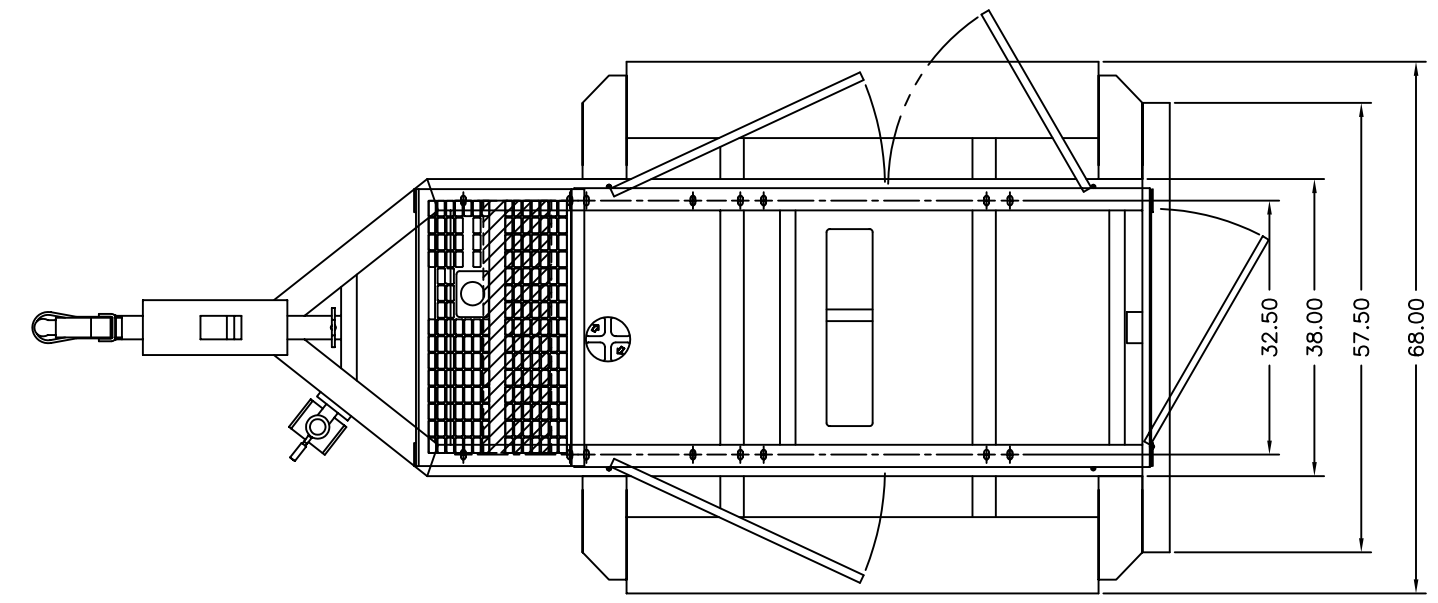
3

200709

1

THIS DRAWING AND THE DATA DISCLOSED HEREIN OR HEREWITH IS CONFIDENTIAL AND PROPRIETARY AND IS NOT TO BE REPRODUCED, USED, OR DISCLOSED IN WHOLE OR IN PART TO ANYONE WITHOUT THE EXPRESSED WRITTEN PERMISSION OF MULTQUIP COMPANY.

PART LISTS				
ITEM	PART NUMBER	QTY	DESCRIPTION	MANUFACTURE
1	DCA85SSJU	1	85KVA GENSET 85SSJU GENSET WEIGHT (APPROX.): 3,350lbs	DENYO
2	TRLR70	1	TRAILER (MODEL: TRLR70) TRAILER WT. (APPROX.) ONLY: G.V.W.R.: 6,000lbs TONGUE WT.: OVERALL DIMENSION: 146L X 68W X 78H	
3		4	WHEEL/TIRE, 205-75D14C, 5 X 4-1/2	
4		2	AXLE, 3,500lbs RATING	
5		1	JACK, 2K FULTON	
6		1	COUPLER, 2" BALL	



UNLESS OTHERWISE SPECIFIED DIMENSIONS ARE IN INCHES TOLERANCES ARE :		CUSTOMER		MQ POWER TEL: (310) 537-3700/FAX: (310) 632-2656 18910 WILMINGTON AVENUE CARSON, CA 90746	
FRACTIONS	DECIMALS	ANGLES	JOB NO.		
±	.XX ±	±			
	.XXX ±				
DERIVED FROM	MATERIAL	DRAWN	DATE	TRLR 70 w/DCA85SSJU GENSET	
REV	DATE	FINISH		SIZE	FSCM NO.
				D	200709
CAD CODE	DO NOT SCALE DRAWING	SALESMAN		SCALE	SHEET
				1 = 12	1 / 1

8

7

6

5

4

3

2

1

200709