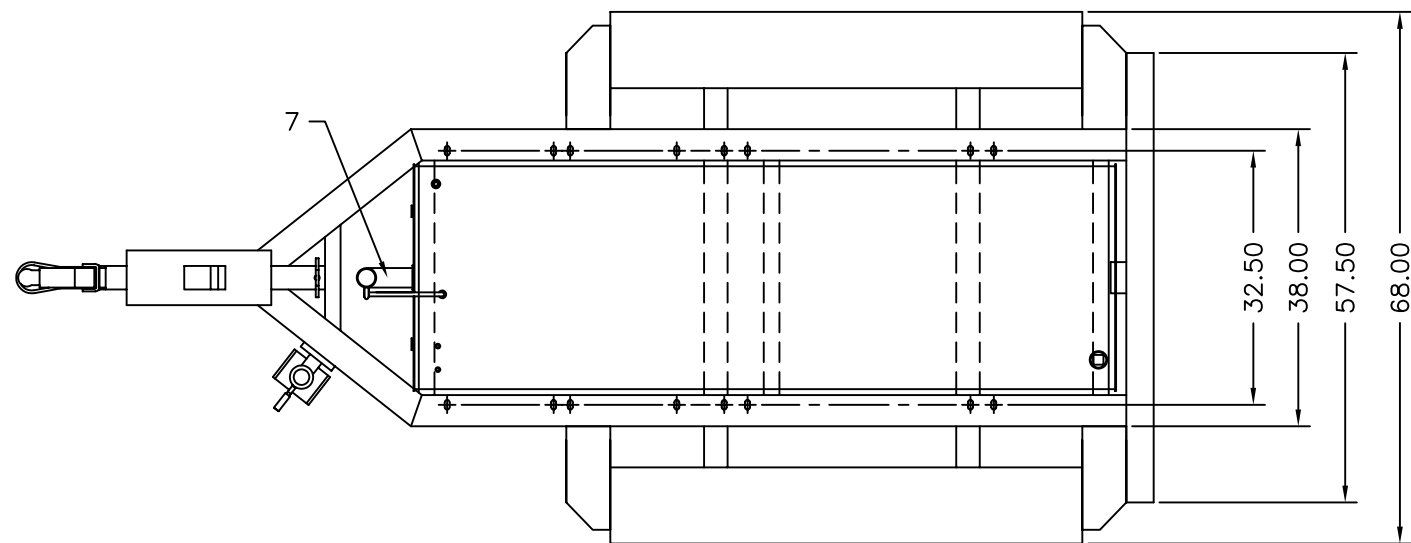


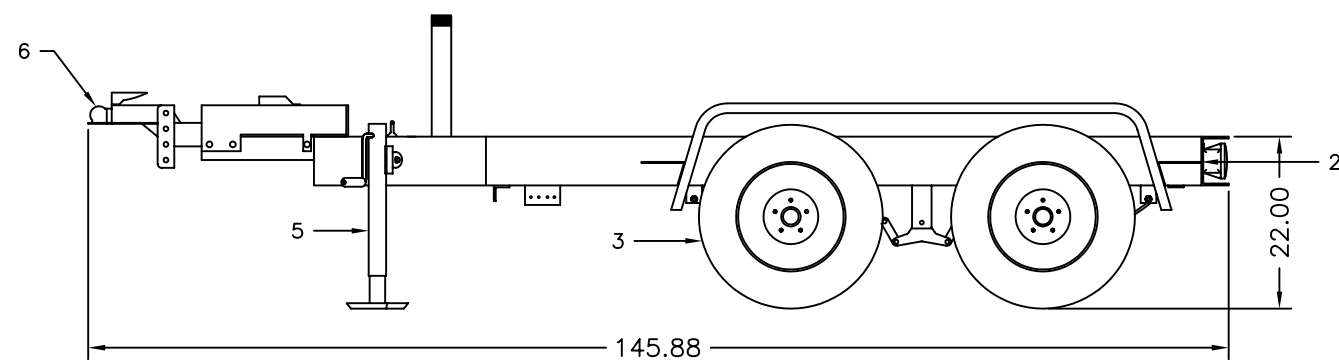
THIS DRAWING AND THE DATA DISCLOSED HEREIN OR HEREWITH IS CONFIDENTIAL AND PROPRIETARY AND IS NOT TO BE REPRODUCED, USED, OR DISCLOSED IN WHOLE OR IN PART TO ANYONE WITHOUT THE EXPRESSED WRITTEN PERMISSION OF MULTQUIP COMPANY.

DWG. NO. 200714

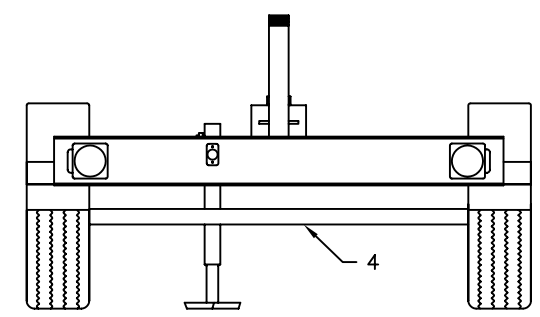
PART LISTS				
ITEM	PART NUMBER	QTY	DESCRIPTION	MANUFACTURE
2	TRLR 70XF	1	TRAILER (MODEL: TRLR 70XF) TRAILER WT. ONLY: G.V.W.R.: 6,000lbs TONGUE WT.: OVERALL DIMENSION: 146L X 68W X 78H	WHITEMAN
3	-	4	TIRE 205/75D14, 1760# RATING	
4	-	2	AXLE, 3,500lbs RATING	
5	210SG01	1	2K FULTON JACK	
6	18820-00	1	2-5/16" BALL COUPLER	
7	5597	1	FUEL TANK CAPACITY: 52GAL.	TRANSFER FLOW



TOP VIEW



SIDE VIEW



END VIEW

UNLESS OTHERWISE SPECIFIED DIMENSIONS ARE IN INCHES TOLERANCES ARE : FRACTIONS DECIMALS ANGLES ± .XX ± ± .XXX ±	CUSTOMER		MQ POWER TEL: (310) 537-3700/FAX: (310) 632-2656 18910 WILMINGTON AVENUE CARSON, CA 90746		
	JOB NO.				
DERIVED FROM	MATERIAL	DRAWN	TRLR 70XF		
REV	DATE	FINISH	B. BOWDEN	1/29/03	
CAD CODE 200714	DO NOT SCALE DRAWING		CHECKED J. ROSE	SALESMAN	
			SCALE	FSCM NO.	DWG. NO.
			1 = 12		200714
			SHEET 1 / 2		

DWG. NO. 200714

REVISION

A