

8

7

6

5

4

3

DWG. NO. 200194

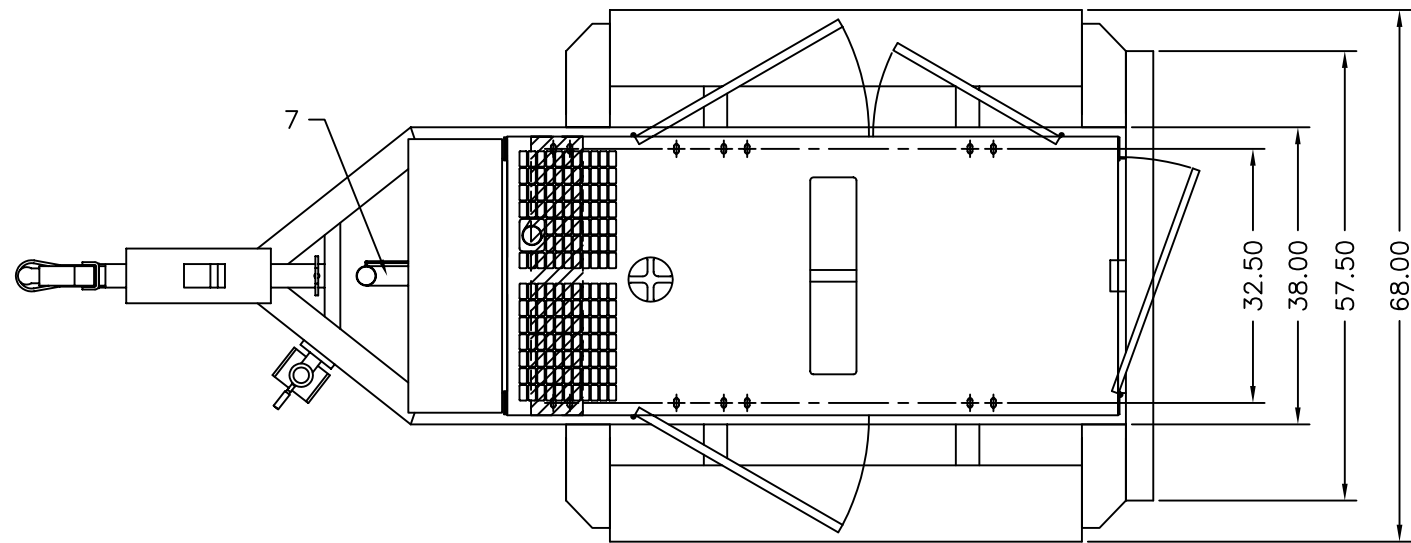
REVISION A

1

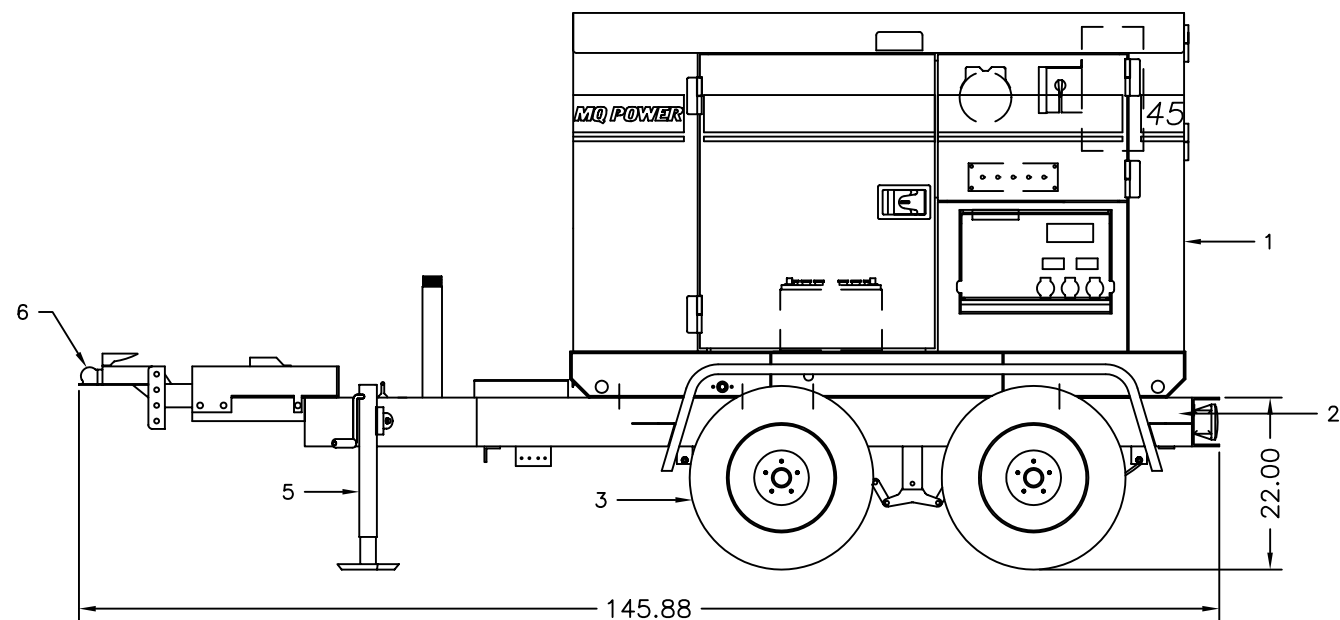
THIS DRAWING AND THE DATA DISCLOSED HEREIN OR HEREWITH IS CONFIDENTIAL AND PROPRIETARY AND IS NOT TO BE REPRODUCED, USED, OR DISCLOSED IN WHOLE OR IN PART TO ANYONE WITHOUT THE EXPRESSED WRITTEN PERMISSION OF MULTQUIP COMPANY.

PART LISTS

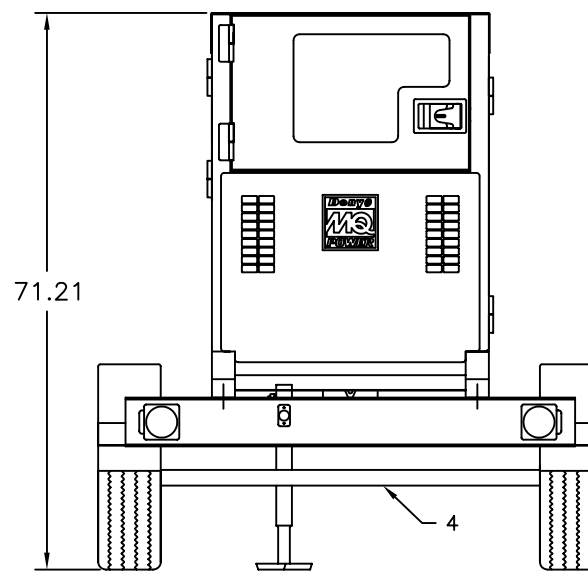
ITEM	PART NUMBER	QTY	DESCRIPTION	MANUFACTURE
1	DCA45SSIU	1	45KVA GENSET 45SSIU GENSET WEIGHT (APPROX.): 2,470lbs	DENYO
2	TRLR 70XF	1	TRAILER (MODEL: TRLR 70XF) TRAILER WT. ONLY: G.V.W.R.: 6,000lbs TONGUE WT.: OVERALL DIMENSION: 146L X 68W X 71H	WHITEMAN
3	-	4	TIRE 205/75D14, 1760# RATING	
4	-	2	AXLE, 3,500lbs RATING	
5	210SG01	1	2K FULTON JACK	
6	18820-00	1	2-5/16" BALL COUPLER	
7	5597	1	FUEL TANK CAPACITY: 52GAL	TRANSFER FLOW



TOP VIEW



SIDE VIEW



END VIEW

UNLESS OTHERWISE SPECIFIED DIMENSIONS ARE IN INCHES TOLERANCES ARE : FRACTIONS DECIMALS ANGLES ± .XX ± ± .XXX ±

CUSTOMER JOB NO. APPROVALS DATE J. TRAN 6-4-01

MQ POWER TEL: (310) 537-3700/FAX: (310) 632-2656 18910 WILMINGTON AVENUE CARSON, CA 90746

DERIVED FROM REV DATE A 1/28/03 CAD CODE 200194A

MATERIAL FINISH DO NOT SCALE DRAWING

DRAWN J. ROSE CHECKED J. ROSE SALESMAN

TRLR 70XF w/DCA45SSIU GENSET SIZE D FSCM NO. 200194 DWG. NO. 200194 SHEET 1 / 1 SCALE 1 = 12

8

7

6

5

4

3

2

1

200194 A