

8

7

6

5

4

3

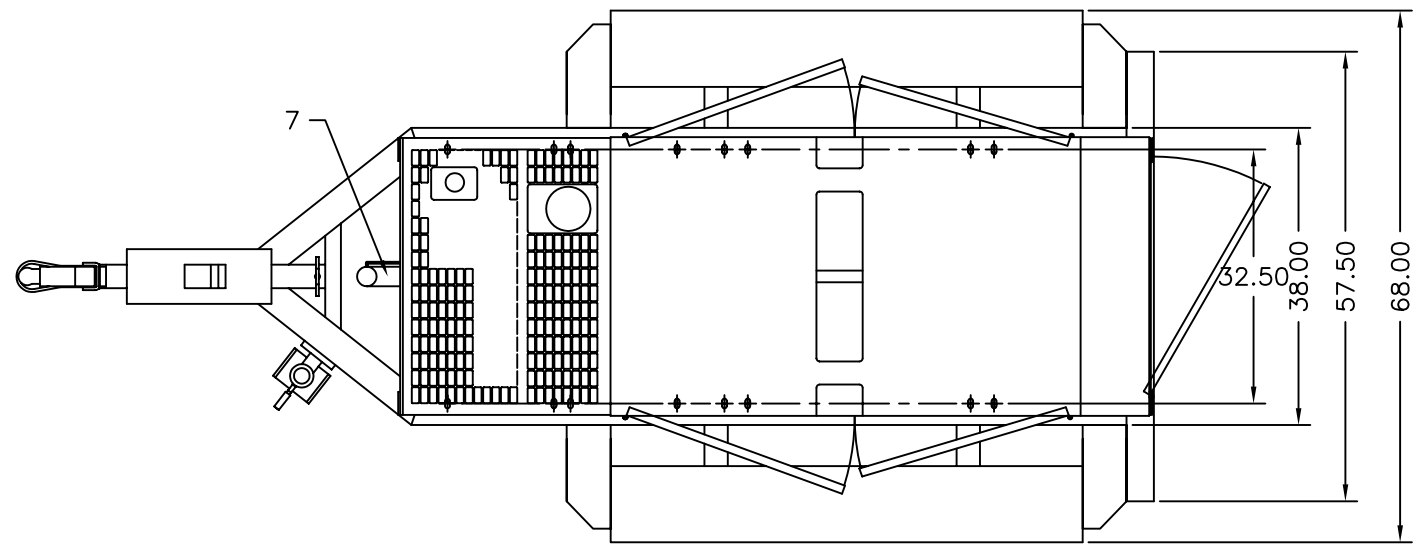
200193

A

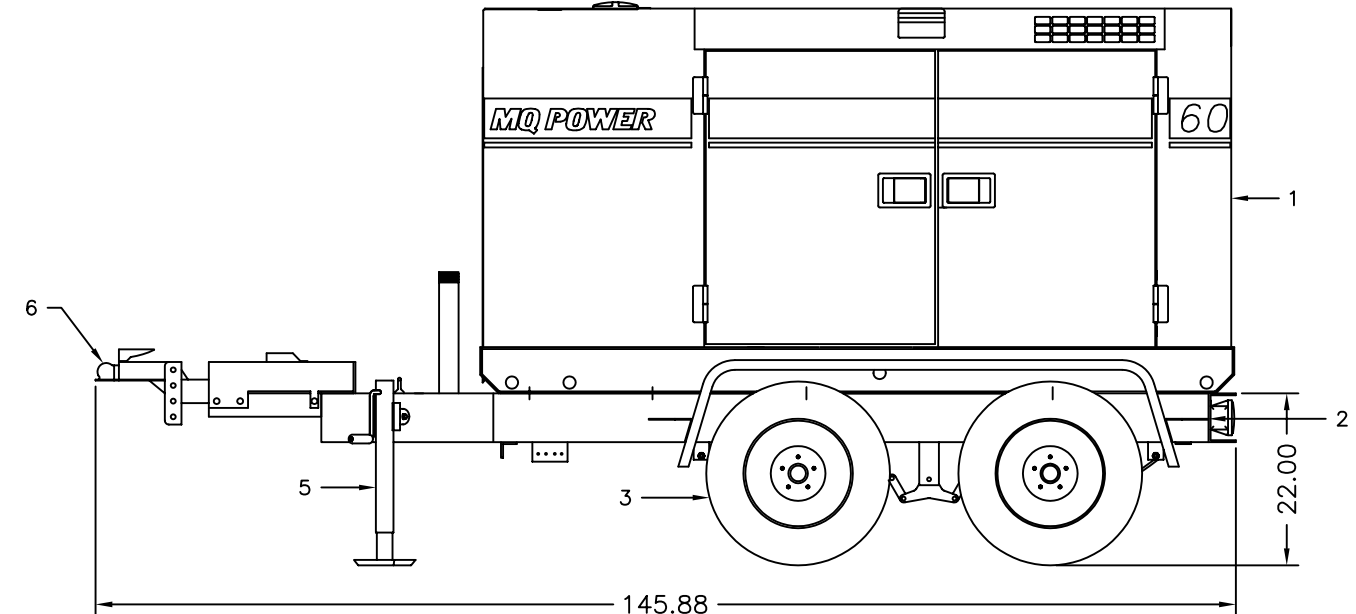
1

THIS DRAWING AND THE DATA DISCLOSED HEREIN OR HEREWITH IS CONFIDENTIAL AND PROPRIETARY AND IS NOT TO BE REPRODUCED, USED, OR DISCLOSED IN WHOLE OR IN PART TO ANYONE WITHOUT THE EXPRESSED WRITTEN PERMISSION OF MULTQUIP COMPANY.

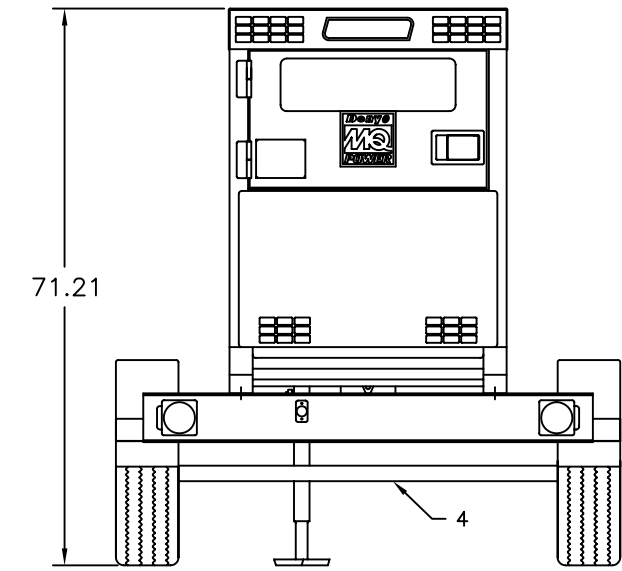
PART LISTS				
ITEM	PART NUMBER	QTY	DESCRIPTION	MANUFACTURE
1	DCA60SSIU	1	60KVA GENSET 60SSI2 GENSET WEIGHT (APPROX.): 3,250lbs	DENYO
2	TRLR 70XF	1	TRAILER (MODEL: TRLR 70XF) TRAILER WT. ONLY: G.V.W.R.: 6,000lbs TONGUE WT.: OVERALL DIMENSION: 146L X 68W X 71H	WHITEMAN
3	-	4	TIRE 205/75D14, 1760# RATING	
4	-	2	AXLE, 3,500lbs RATING	
5	210SG01	1	2K FULTON JACK	
6	18820-00	1	2-5/16" BALL COUPLER	
7	5597	1	FUEL TANK CAPACITY: 52GAL	TRANSFER FLOW



TOP VIEW



SIDE VIEW



END VIEW

UNLESS OTHERWISE SPECIFIED DIMENSIONS ARE IN INCHES TOLERANCES ARE :		CUSTOMER		MQ POWER TEL: (310) 537-3700/FAX: (310) 632-2656 18910 WILMINGTON AVENUE CARSON, CA 90746		
FRACTIONS	DECIMALS	ANGLES	JOB NO.			
±	.XX ±	±				
	.XXX ±					
DERIVED FROM		MATERIAL		TRLR 70XF w/DCA60SSIU GENSET		
REV	DATE	FINISH		APPROVALS	DATE	
A	1/28/03			J. TRAN	6-4-01	
CAD CODE 200193A		DO NOT SCALE DRAWING		CHECKED		SIZE D
				J. ROSE		FSCM NO. 200193
				SALESMAN		DWG. NO. 200193
						SHEET 1 / 1
						SCALE 1 = 12

8

7

6

5

4

3

2

1

200193 A