

8

7

6

5

4

3

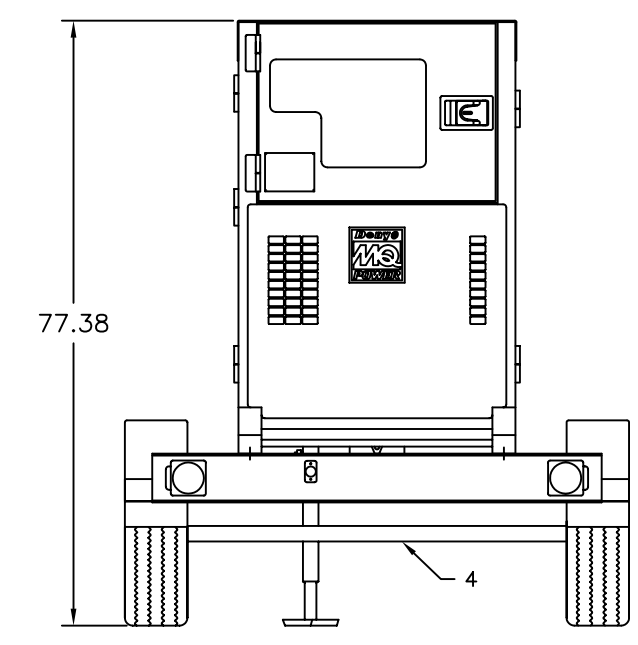
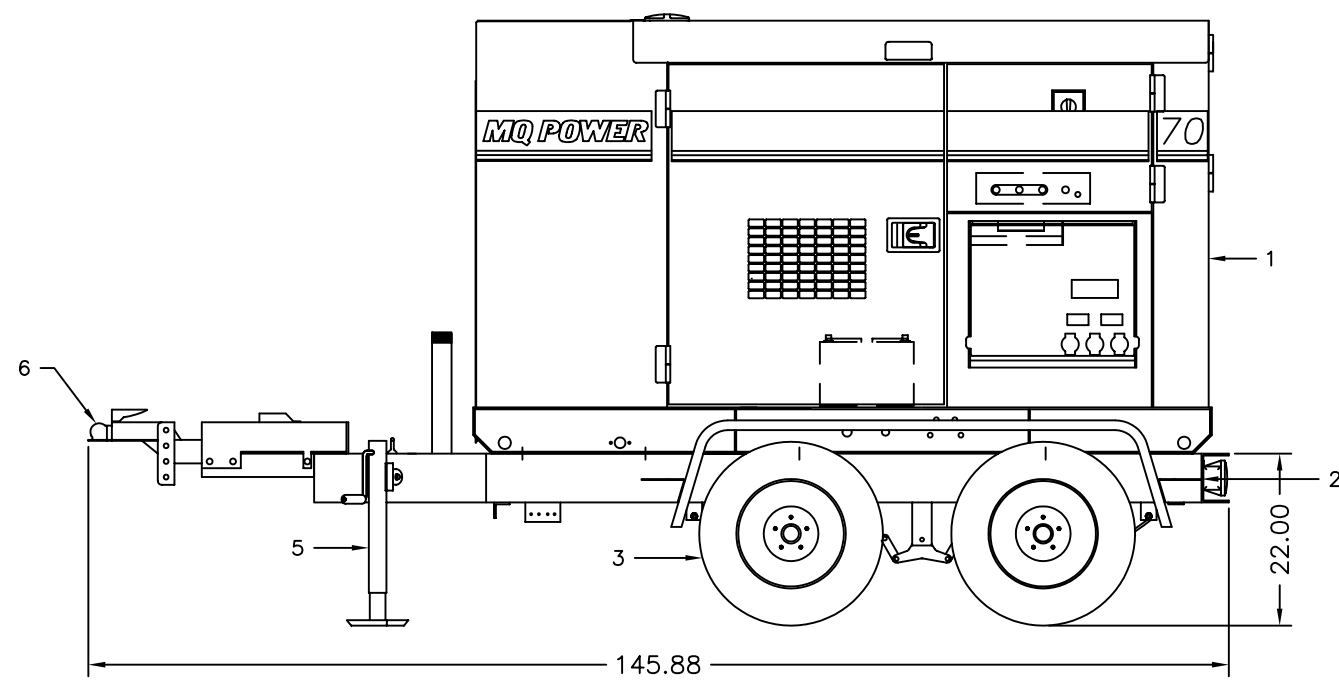
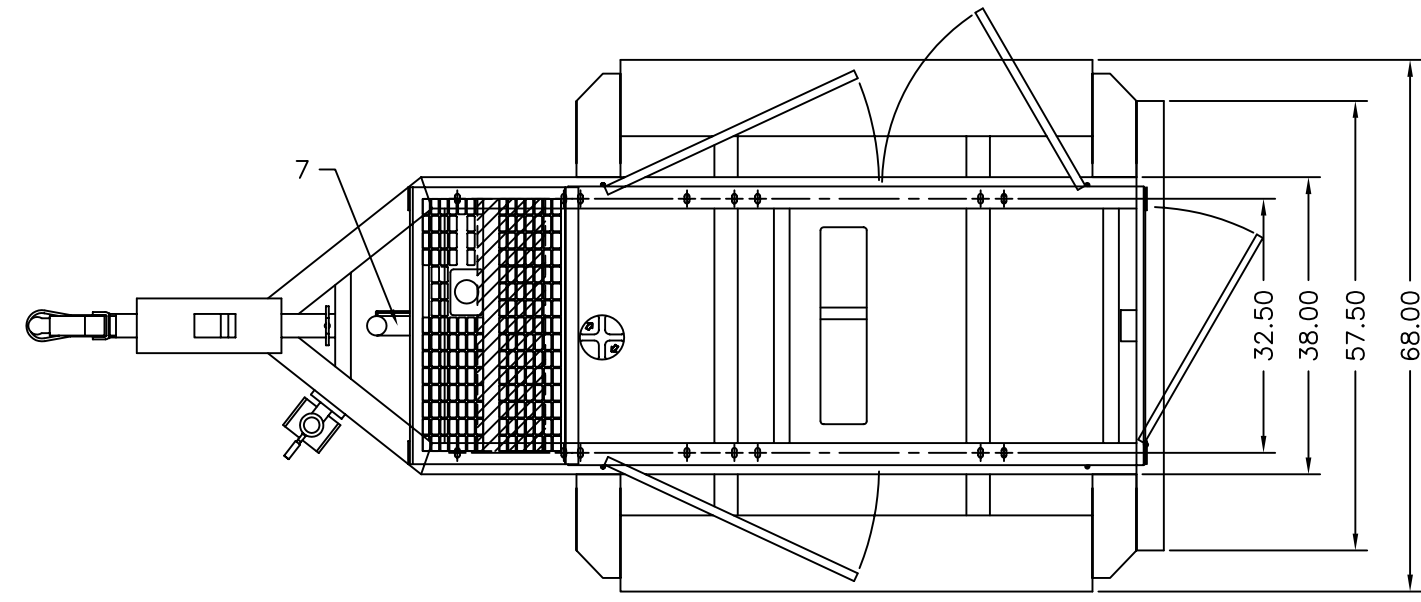
200192

A

1

THIS DRAWING AND THE DATA DISCLOSED HEREIN OR HEREWITH IS CONFIDENTIAL AND PROPRIETARY AND IS NOT TO BE REPRODUCED, USED, OR DISCLOSED IN WHOLE OR IN PART TO ANYONE WITHOUT THE EXPRESSED WRITTEN PERMISSION OF MULTQUIP COMPANY.

PART LISTS				
ITEM	PART NUMBER	QTY	DESCRIPTION	MANUFACTURE
1	DCA70SSJU/ DCA85SSJU	1	70/85KVA GENSET 70SSJU GENSET WEIGHT (APPROX.): 3,307lbs 85SSJU GENSET WEIGHT (APPROX.): 3,350lbs	DENYO
2	TRLR 70XF	1	TRAILER (MODEL: TRLR 70XF) TRAILER WT. ONLY: G.V.W.R.: 6,000lbs TONGUE WT.: OVERALL DIMENSION: 146L X 68W X 78H	WHITEMAN
3	-	4	TIRE 205/75D14, 1760# RATING	
4	-	2	AXLE, 3,500lbs RATING	
5	210SG01	1	2K FULTON JACK	
6	18820-00	1	2-5/16" BALL COUPLER	
7	5597	1	FUEL TANK CAPACITY: 52GAL	TRANSFER FLOW



UNLESS OTHERWISE SPECIFIED DIMENSIONS ARE IN INCHES TOLERANCES ARE :		CUSTOMER		MQ POWER TEL: (310) 537-3700/FAX: (310) 632-2656 18910 WILMINGTON AVENUE CARSON, CA 90746		
FRACTIONS	DECIMALS	ANGLES	JOB NO.			
±	.XX ±	±		APPROVALS		DATE
	.XXX ±			DRAWN		5-31-01
DERIVED FROM		MATERIAL		TRLR 70XF w/DCA70SSJU/85SSJU GENSET		
REV	DATE	FINISH		CHECKED		SIZE
A	1/28/03			J. ROSE		D
CAD CODE 200192ASH1		DO NOT SCALE DRAWING		SALESMAN		FSCM NO. 200192
						DWG. NO. 200192
						SHEET 1 / 2
				SCALE		1 = 12

8

7

6

5

4

3

2

1

200192 A