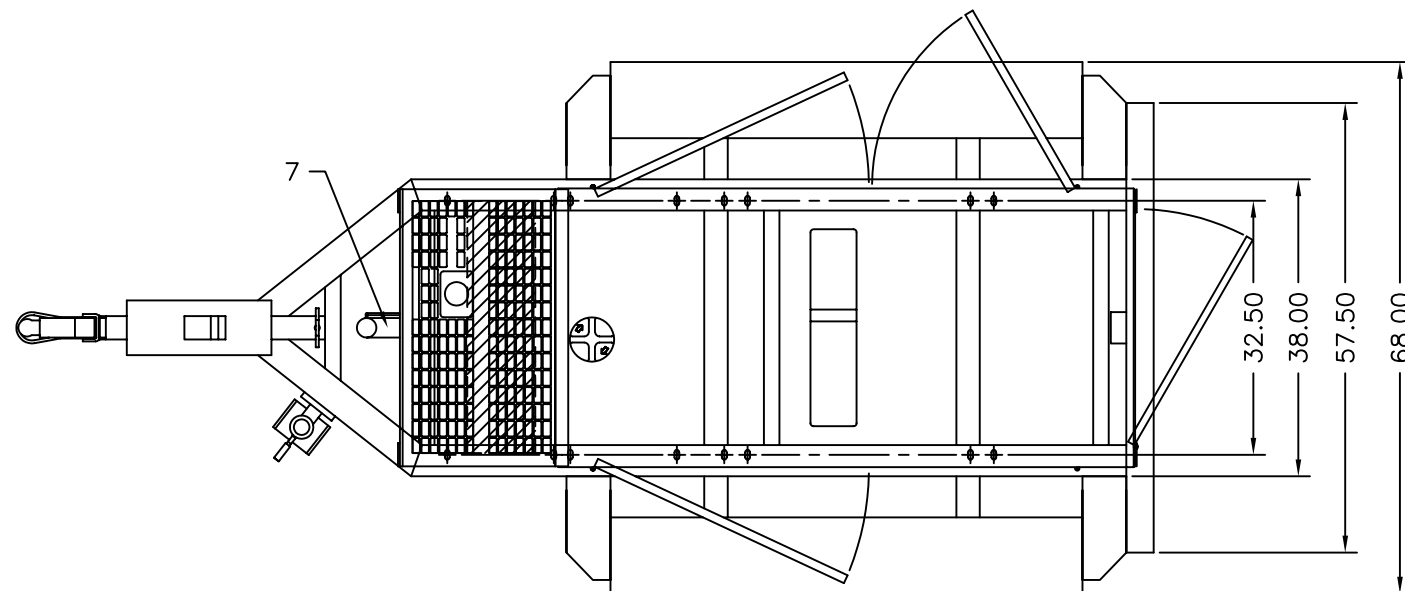
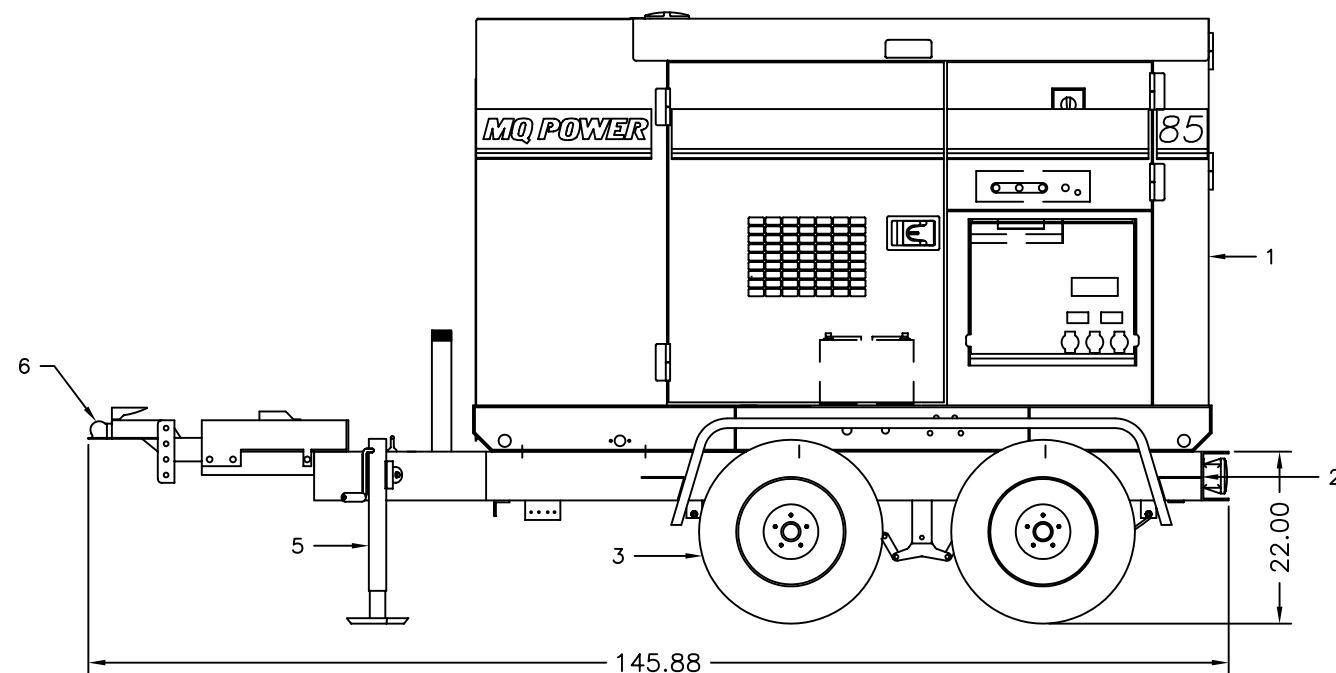


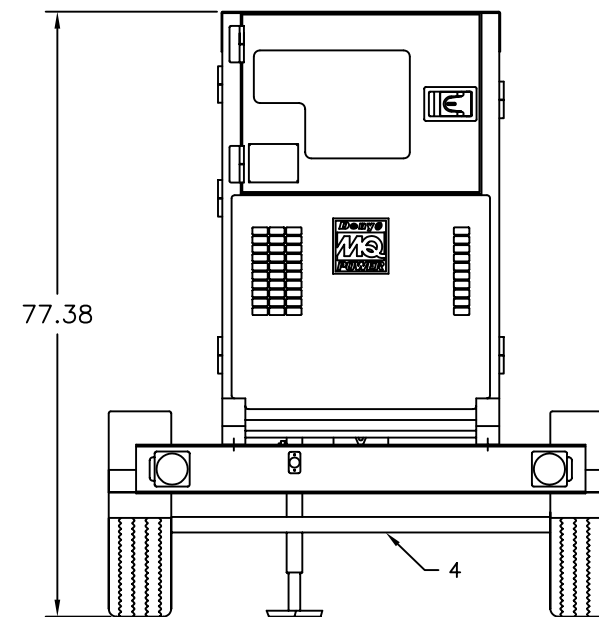
THIS DRAWING AND THE DATA DISCLOSED HEREIN OR HERewith IS CONFIDENTIAL AND PROPRIETARY AND IS NOT TO BE REPRODUCED, USED, OR DISCLOSED IN WHOLE OR IN PART TO ANYONE WITHOUT THE EXPRESSED WRITTEN PERMISSION OF MULTQUIP COMPANY.



TOP VIEW



SIDE VIEW



END VIEW

PART LISTS				
ITEM	PART NUMBER	QTY	DESCRIPTION	MANUFACTURE
1	DCA70SSJU/ DCA85SSJU	1	70/85KVA GENSET 70SSJU GENSET WEIGHT (APPROX.): 3,307lbs 85SSJU GENSET WEIGHT (APPROX.): 3,350lbs	DENYO
2	TRLR 70XF	1	TRAILER (MODEL: TRLR 70XF) TRAILER WT. ONLY: G.V.W.R.: 6,000lbs TONGUE WT.: OVERALL DIMENSION: 146L X 68W X 78H	WHITEMAN
3	-	4	TIRE 205/75D14, 1760# RATING	
4	-	2	AXLE, 3,500lbs RATING	
5	210SG01	1	2K FULTON JACK	
6	18820-00	1	2-5/16" BALL COUPLER	
7	5597	1	FUEL TANK CAPACITY: 52GAL.	TRANSFER FLOW

UNLESS OTHERWISE SPECIFIED DIMENSIONS ARE IN INCHES TOLERANCES ARE :		CUSTOMER		<b>MQ POWER</b> TEL: (310) 537-3700/FAX: (310) 632-2656 18910 WILMINGTON AVENUE CARSON, CA 90746	
FRACTIONS	DECIMALS	ANGLES	JOB NO.		
±	.XX ±	±		TRLR 70XF w/DCA70SSJU/85SSJU GENSET	
DERIVED FROM		MATERIAL	APPROVALS	DATE	SCALE
REV	DATE	FINISH	J. TRAN	5-31-01	1 = 12
A	1/28/03		J. ROSE		2 / 2
CAD CODE 200192ASH1		DO NOT SCALE DRAWING		SALESMAN	

DWG. NO. 200192 A