

8

7

6

5

4

3

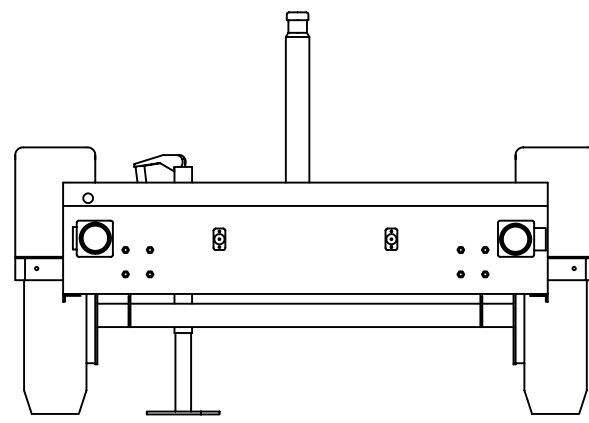
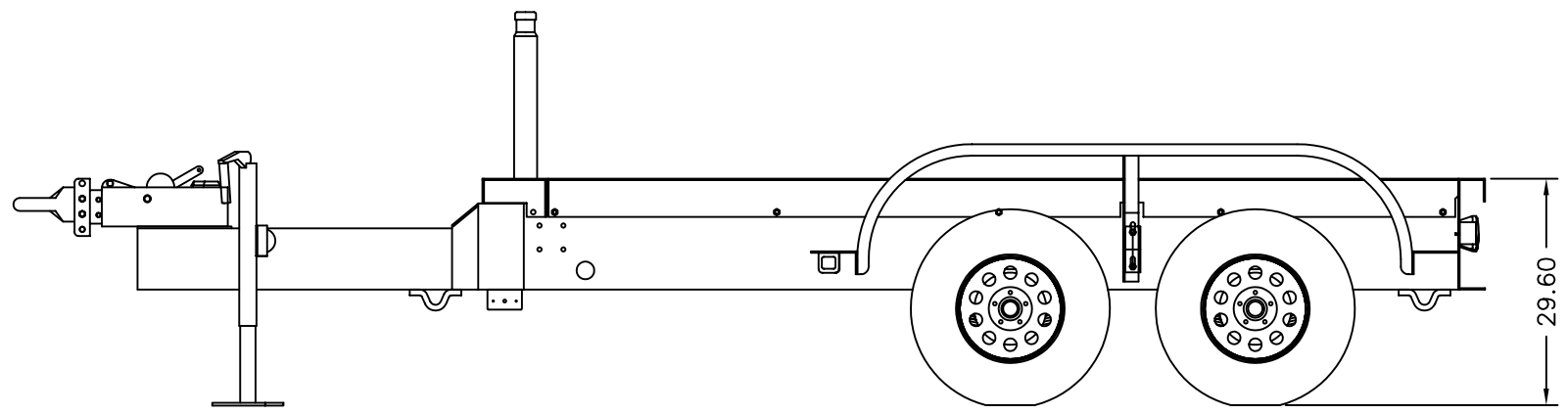
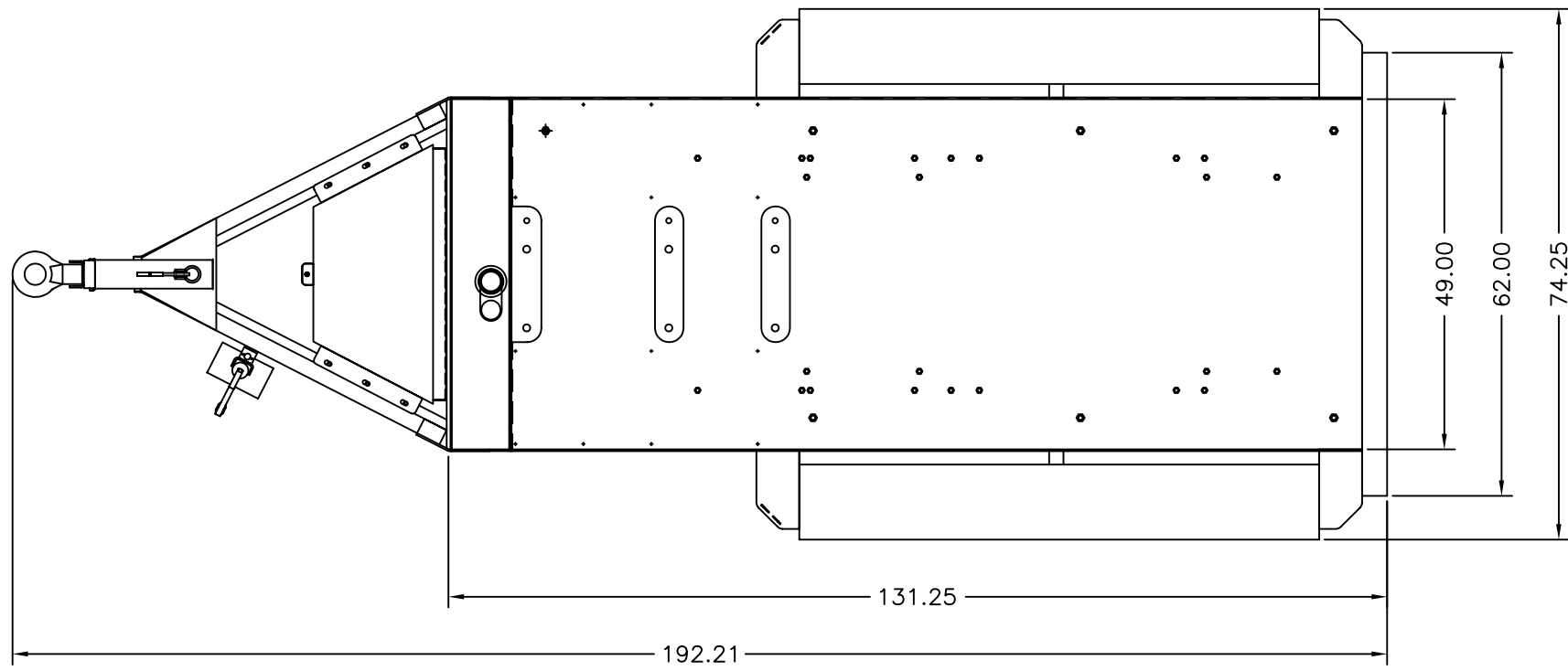
200595

B

1

THIS DRAWING AND THE DATA DISCLOSED HEREIN OR HEREWITH IS CONFIDENTIAL AND PROPRIETARY AND IS NOT TO BE REPRODUCED, USED, OR DISCLOSED IN WHOLE OR IN PART TO ANYONE WITHOUT THE EXPRESSED WRITTEN PERMISSION OF MULTIQUIP COMPANY.

REVISIONS				
ZONE	LTR	DESCRIPTION	DATE	APPROVED
A		ADDED CABLE SUPPORT	4-18-02	JT
B		REMOVED CABLE SUPPORT; UPDATED TITLE BLOCK	1/28/03	B.B.



TRLR 85XF	
LENGTH	192"
WIDTH	74"
FRAME WIDTH	49"
AXLE	4500#
TIRES	ST225 175 D15
WHEELS	16 X 6.5
GVWR	9,000#
JACK	7000# BULLDOG
HITCH	3" ADJUSTABLE EYE
FUEL TANK	200GAL. (CAPACITY)

UNLESS OTHERWISE SPECIFIED DIMENSIONS ARE IN INCHES TOLERANCES ARE :		CUSTOMER		<b>MQ POWER</b> TEL: (310) 537-3700/FAX: (310) 632-2656 18910 WILMINGTON AVENUE CARSON, CA 90746			
FRACTIONS	DECIMALS	ANGLES	JOB NO.				
±	.XX ±	±					
	.XXX ±						
DERIVED FROM		MATERIAL		APPROVALS		DATE	
REV		DATE		DRAWN		DATE	
B		1/28/03		J. TRAN		3-20-02	
CAD CODE		FINISH		CHECKED		SIZE	
200595B		DO NOT SCALE DRAWING		SALESMAN		D	
						SCALE	
						1 = 12	
						SHEET	
						200595	
						1 / 1	

200595 B

8

7

6

5

4

3

2

1

D

C

B

A

D

C

B

A