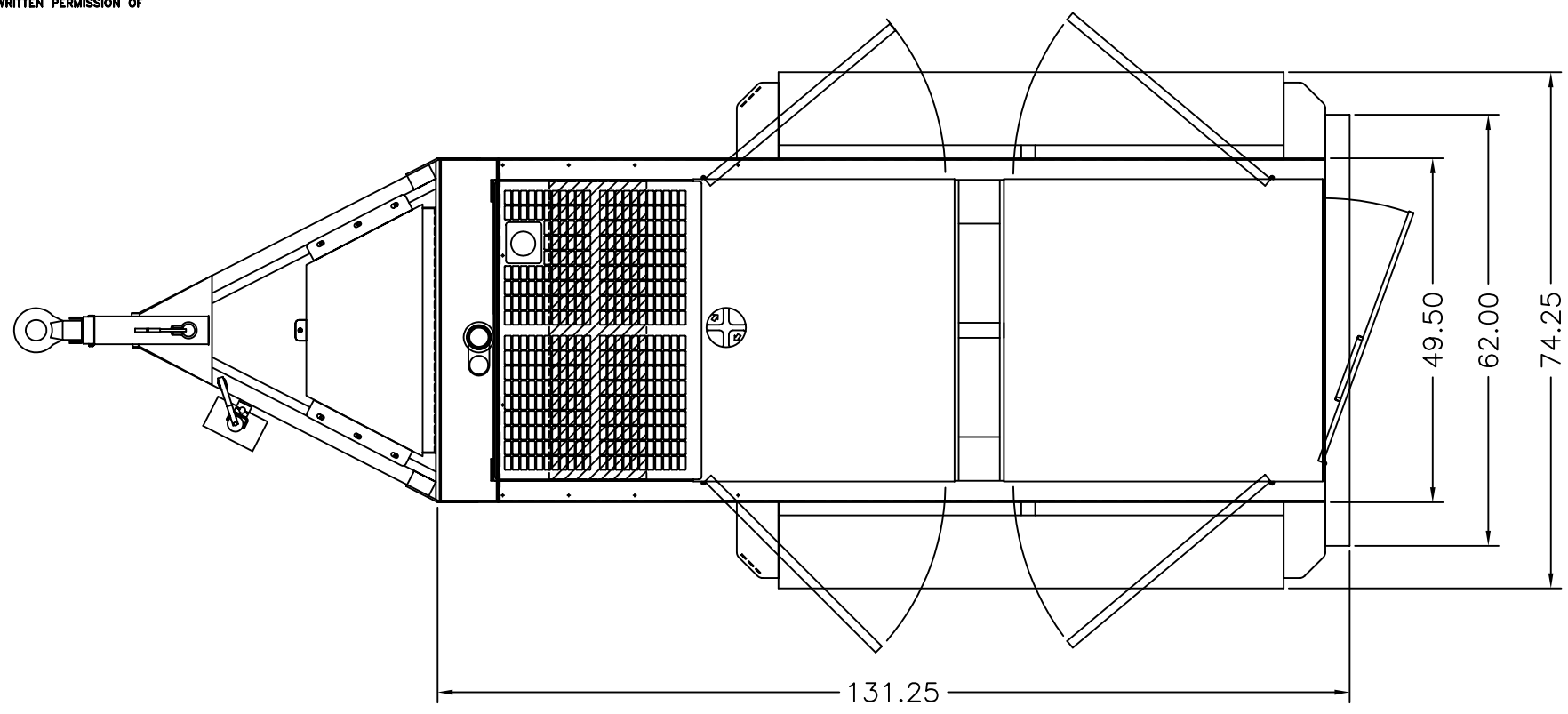
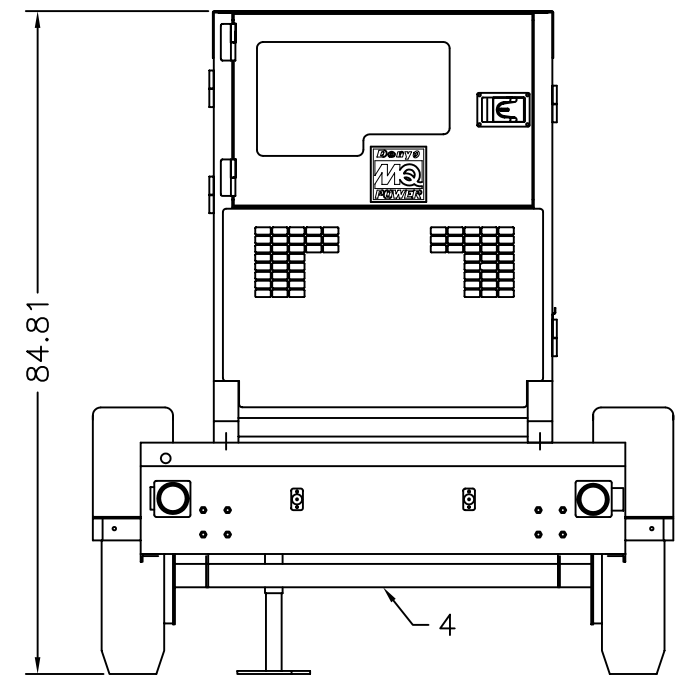
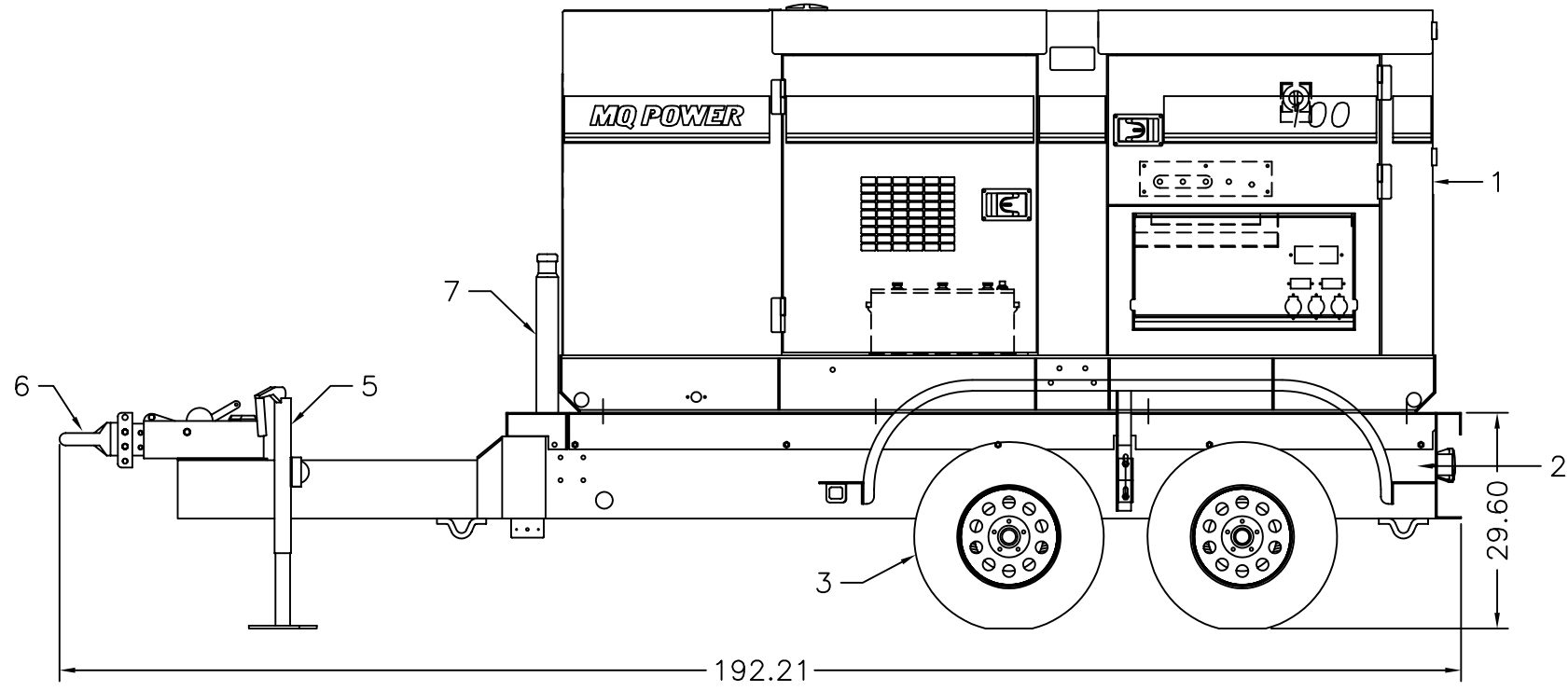


THIS DRAWING AND THE DATA DISCLOSED HEREIN OR HEREWITH IS CONFIDENTIAL AND PROPRIETARY AND IS NOT TO BE REPRODUCED, USED, OR DISCLOSED IN WHOLE OR IN PART TO ANYONE WITHOUT THE EXPRESSED WRITTEN PERMISSION OF MULTIQUIP COMPANY.



PART LISTS				
ITEM	PART NUMBER	QTY	DESCRIPTION	MANUFACTURE
1	DCA100SSJU	1	100KVA GENSET 100SSJU GENSET WEIGHT (APPROX.): 4,454lbs	DENYO
2	TRLR85XF	1	TRAILER (MODEL: TRLR85XF) TRAILER WT. (APPROX.) ONLY: 2,600lbs G.V.W.R.: 9,000lbs TONGUE WT.: OVERALL DIMENSION: 192L X 74W X 85H	MQ POWER
3	-	4	TIRE, ST225/75 D15D WHEEL, 15 X 7	
4	-	2	AXLE, 4,500lbs RATING	
5	-	1	JACK, 7,000# BULLDOG	
6	-	1	3" ADJUSTABLE EYE	
7	-	1	FUEL TANK CAPACITY: 200GAL.	MQ POWER



UNLESS OTHERWISE SPECIFIED DIMENSIONS ARE IN INCHES TOLERANCES ARE :		CUSTOMER		MQ POWER TEL: (310) 537-3700/FAX: (310) 632-2656 18910 WILMINGTON AVENUE CARSON, CA 90746		
FRACTIONS	DECIMALS	ANGLES	JOB NO.			
±	.XX ±	±				
	.XXX ±					
DERIVED FROM		MATERIAL		TRLR 85XF w/DCA100SSJU GENSET		
REV	DATE	FINISH		DRAWN	DATE	SIZE
A	1/28/03			J. TRAN	12-6-02	D
CAD CODE 200696A		DO NOT SCALE DRAWING		CHECKED		FSCM NO.
				J. ROSE		DWG. NO. 200696
				SALESMAN		SHEET
				SCALE		1 = 12
						1 / 1

DWG. NO. 200696 REVISION A