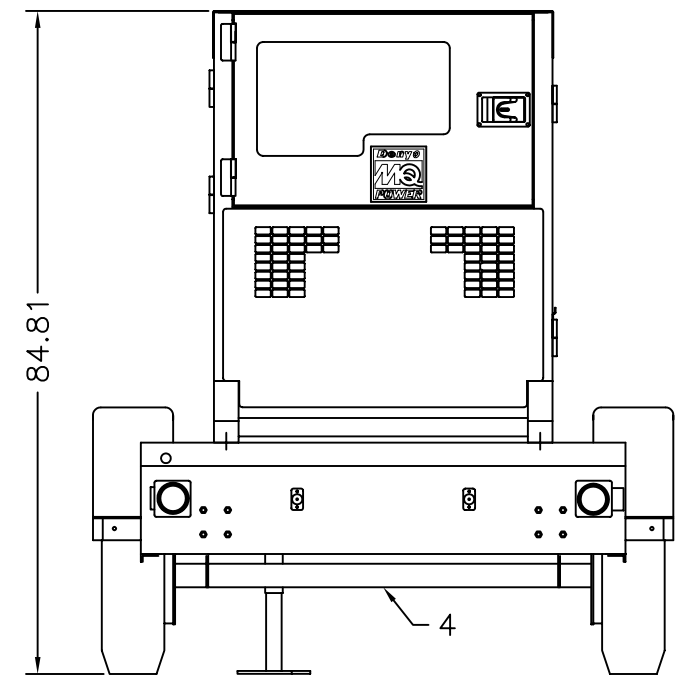
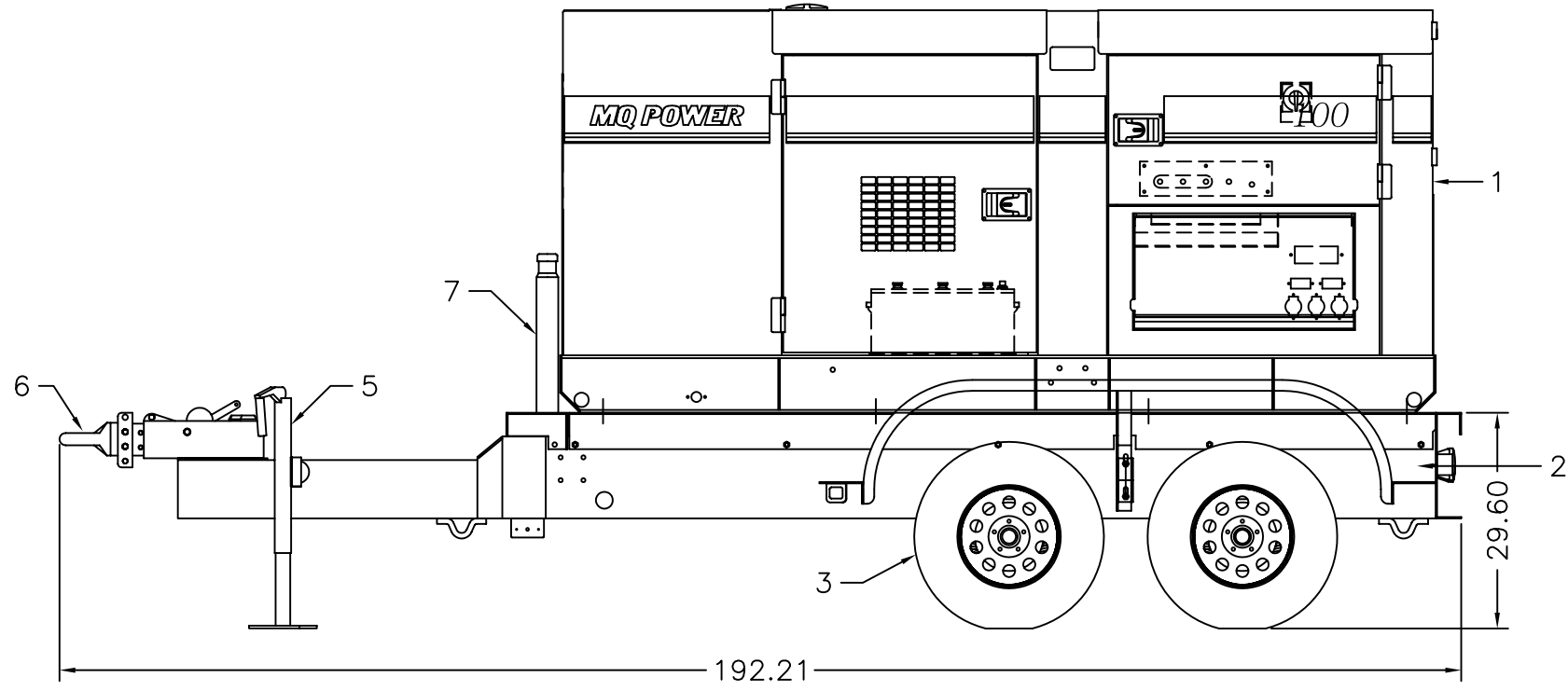
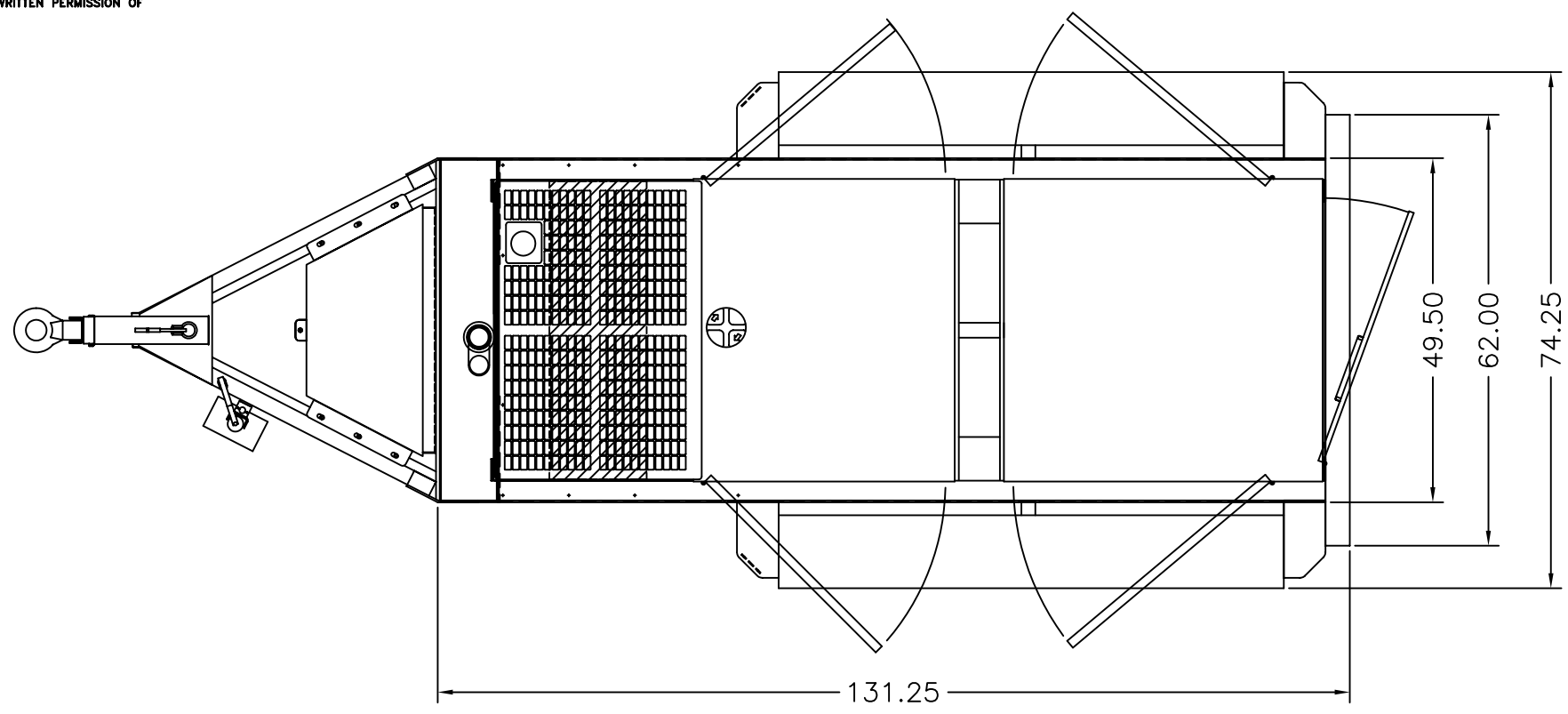


THIS DRAWING AND THE DATA DISCLOSED HEREIN OR HEREWITH IS CONFIDENTIAL AND PROPRIETARY AND IS NOT TO BE REPRODUCED, USED, OR DISCLOSED IN WHOLE OR IN PART TO ANYONE WITHOUT THE EXPRESSED WRITTEN PERMISSION OF MULTIQUIP COMPANY.

DWG. NO. 200747

PART LISTS				
ITEM	PART NUMBER	QTY	DESCRIPTION	MANUFACTURE
1	DCA100SSVU	1	100KVA GENSET 100SSVU GENSET WEIGHT (APPROX.): 4,454lbs	DENYO
2	MQ85XF	1	TRAILER (MODEL: TRLR85XF) TRAILER WT. (APPROX.) ONLY: 2,600lbs G.V.W.R.: 9,000lbs TONGUE WT.: OVERALL DIMENSION: 192L X 74W X 85H	MQ POWER
3	-	4	TIRE, ST225/75 D15D WHEEL, 15 X 7	
4	-	2	AXLE, 4,500lbs RATING	
5	-	1	JACK, 7,000# BULLDOG	
6	-	1	3" ADJUSTABLE EYE	
7	-	1	FUEL TANK CAPACITY: 200GAL.	MQ POWER



UNLESS OTHERWISE SPECIFIED DIMENSIONS ARE IN INCHES TOLERANCES ARE :		CUSTOMER		MQ POWER TEL: (310) 537-3700/FAX: (310) 632-2656 18910 WILMINGTON AVENUE CARSON, CA 90746		
FRACTIONS	DECIMALS	ANGLES	JOB NO.			
±	.XX ±	±				
	.XXX ±					
DERIVED FROM		MATERIAL	APPROVALS	DATE	DCA100SSVU ON MQ85XF TRAILER	
REV	DATE	FINISH	J. TRAN	8-27-03	SIZE	FSCM NO.
CAD CODE		DO NOT SCALE DRAWING	J. ROSE		D	DWG. NO.
200747			SALESMAN		SCALE	200747
					1 = 12	SHEET
						1 / 1

DWG. NO. 200747

REVISION