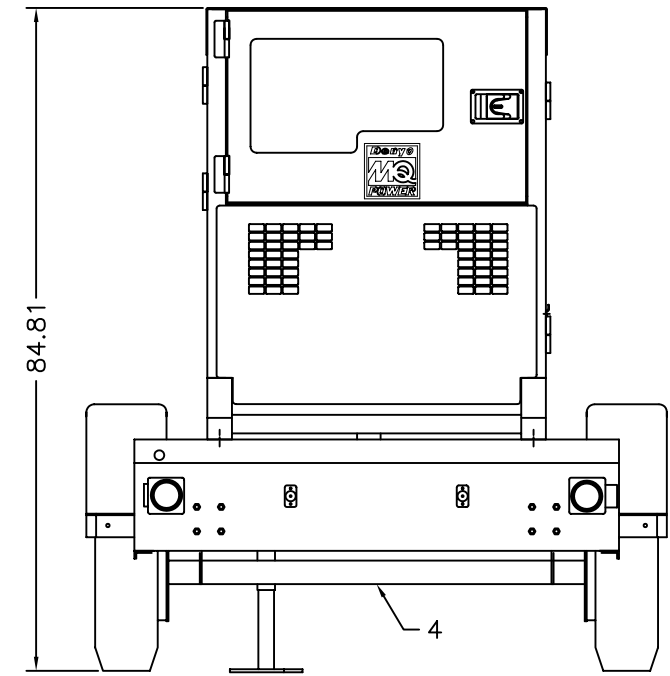
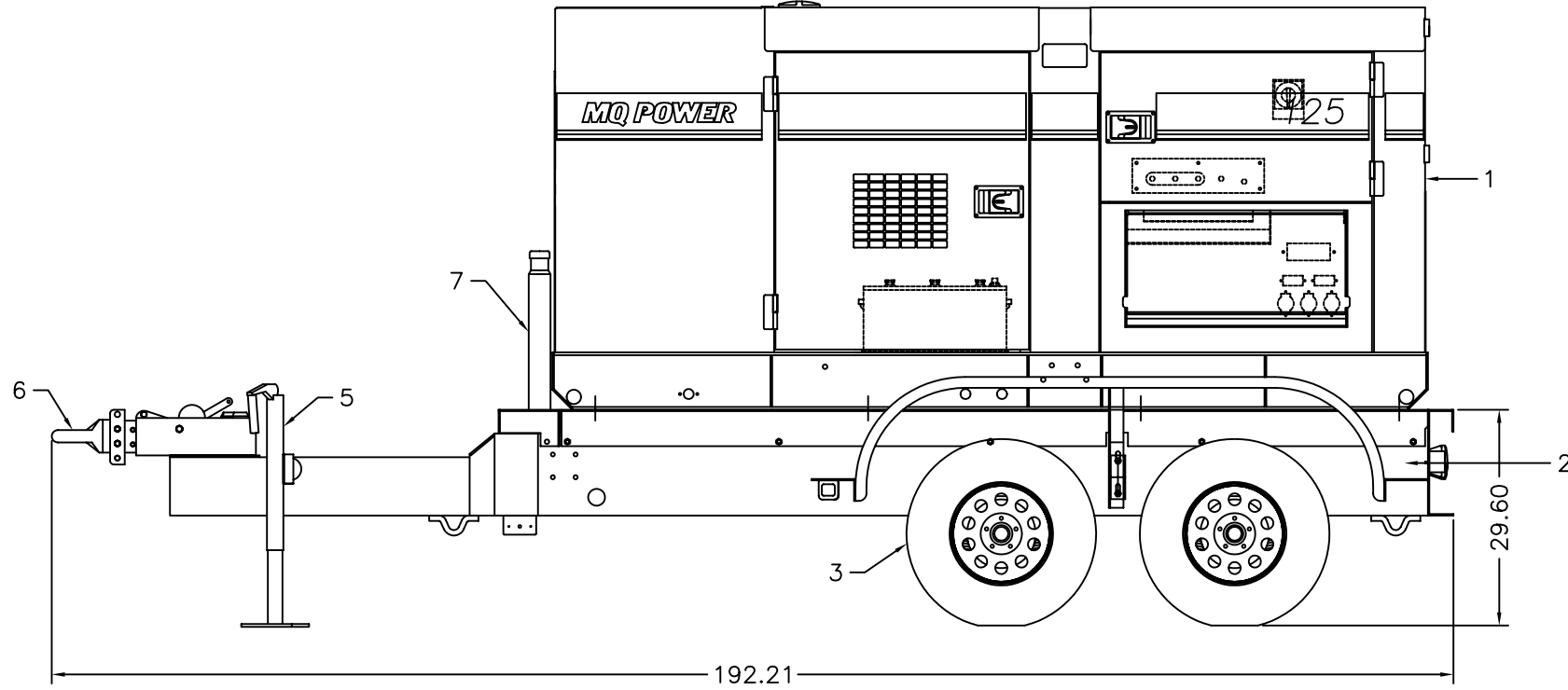
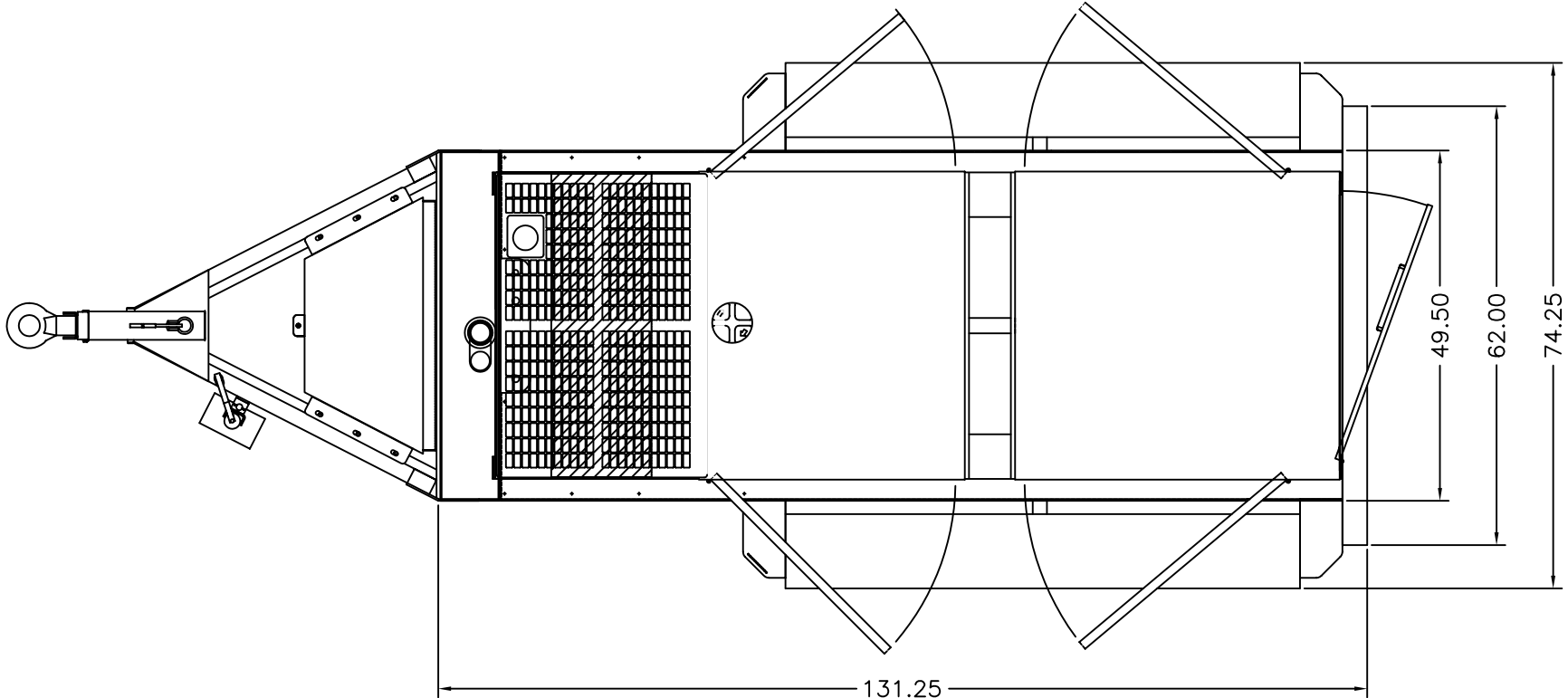


THIS DRAWING AND THE DATA DISCLOSED HEREIN OR HEREWITH IS CONFIDENTIAL AND PROPRIETARY AND IS NOT TO BE REPRODUCED, USED, OR DISCLOSED IN WHOLE OR IN PART TO ANYONE WITHOUT THE EXPRESSED WRITTEN PERMISSION OF MULTIQUIP COMPANY.

PART LISTS				
ITEM	PART NUMBER	QTY	DESCRIPTION	MANUFACTURE
1	DCA125SSJU	1	125KVA GENSET 125SSJU GENSET WEIGHT (APPROX.): 4,630lbs	DENYO
2	TRLR85XF	1	TRAILER (MODEL: TRLR85XF) TRAILER WT. (APPROX.) ONLY: 2,600lbs G.V.W.R.: 9,000lbs TONGUE WT.: OVERALL DIMENSION: 192L X 74W X 85H	MQ POWER
3	-	4	TIRE, ST225/75 D15D WHEEL, 15 X 7	
4	-	2	AXLE, 4,500lbs RATING	
5	-	1	JACK, 7,000# BULLDOG	
6	-	1	3" ADJUSTABLE EYE	
7	-	1	FUEL TANK CAPACITY: 200GAL	MQ POWER



UNLESS OTHERWISE SPECIFIED DIMENSIONS ARE IN INCHES TOLERANCES ARE :		CUSTOMER		MQ POWER TEL: (310) 537-3700/FAX: (310) 632-2656 18910 WILMINGTON AVENUE CARSON, CA 90746	
FRACTIONS	DECIMALS	ANGLES	JOB NO.		
±	.XX ±	±			
	.XXX ±				
DERIVED FROM		MATERIAL		TRLR 85XF w/DCA125SSJU GENSET	
REV	DATE	FINISH	APPROVALS	DATE	SCALE
A	1/28/03		J. TRAN	12-2-02	D
CAD CODE 200691A		DO NOT SCALE DRAWING		CHECKED J. ROSE	FSCM NO. 200691
				SALESMAN	DWG. NO. 200691
					SHEET 1 / 1