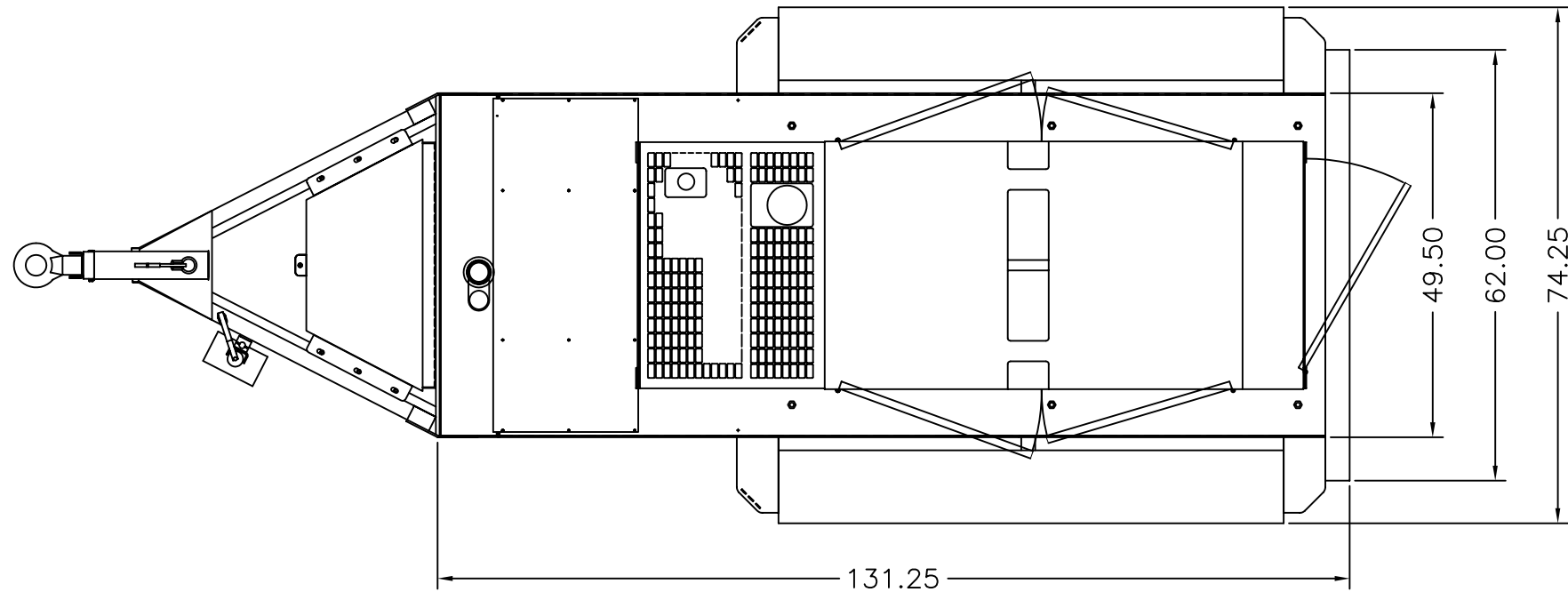
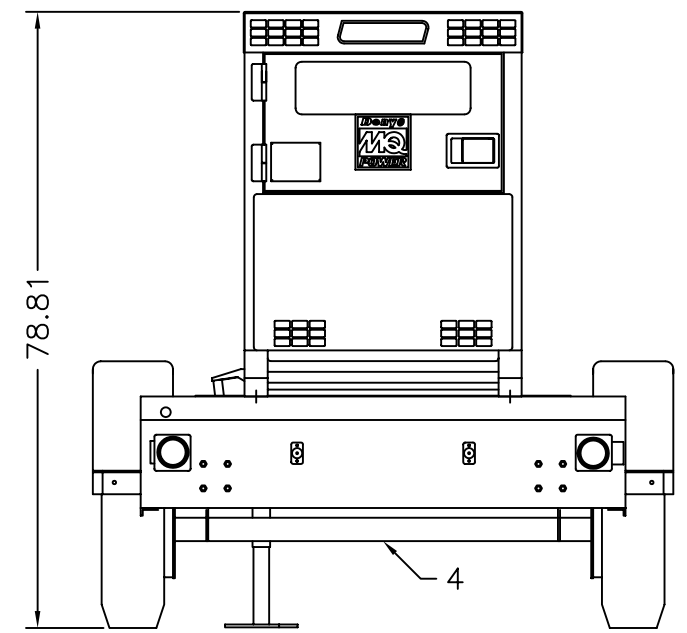
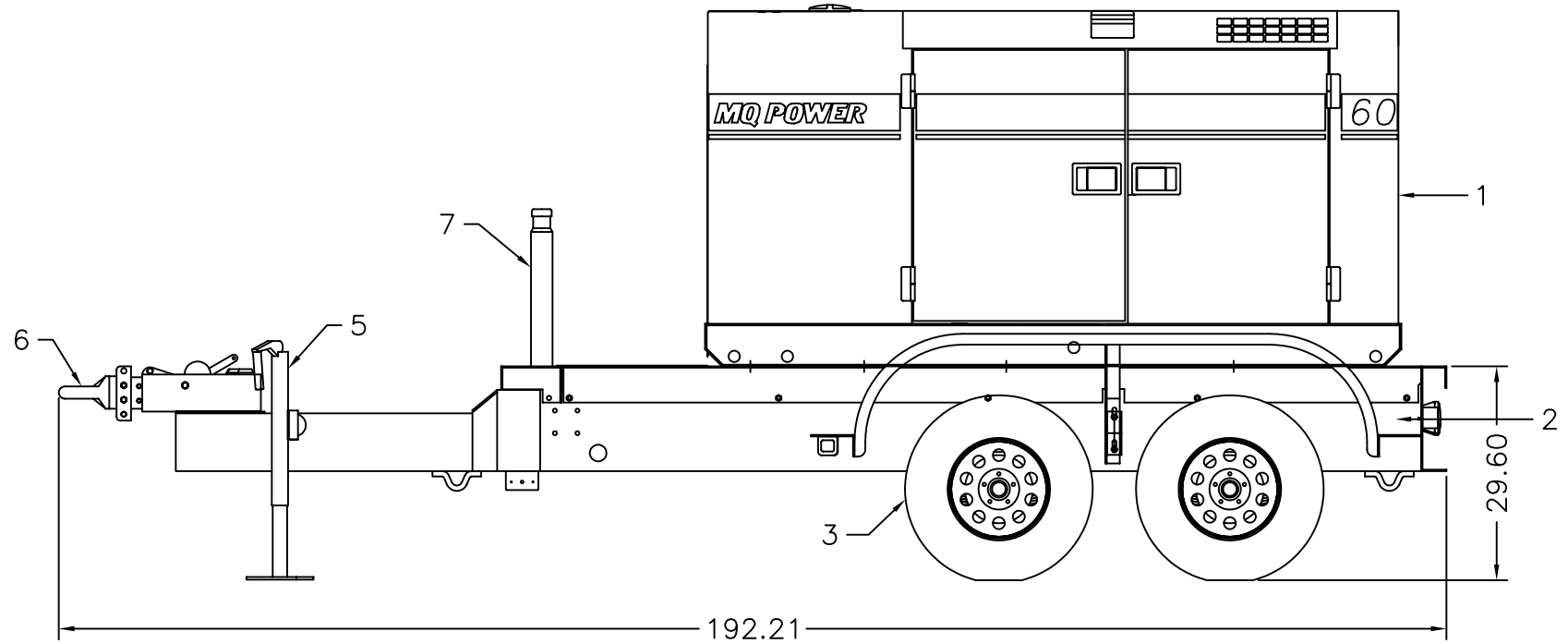


THIS DRAWING AND THE DATA DISCLOSED HEREIN OR HEREWITH IS CONFIDENTIAL AND PROPRIETARY AND IS NOT TO BE REPRODUCED, USED, OR DISCLOSED IN WHOLE OR IN PART TO ANYONE WITHOUT THE EXPRESSED WRITTEN PERMISSION OF MULTQUIP COMPANY.



PART LISTS				
ITEM	PART NUMBER	QTY	DESCRIPTION	MANUFACTURE
1	DCA60SSIU	1	60KVA GENSET 60SSIU GENSET WEIGHT (APPROX.): 3,250lbs	DENYO
2	TRLR85XF	1	TRAILER (MODEL: TRLR85XF) TRAILER WT. (APPROX.) ONLY: 2,600lbs G.V.W.R.: 9,000lbs TONGUE WT.: OVERALL DIMENSION: 192L X 74W X 79H	MQ POWER
3	-	4	TIRE, ST225/75 D15D WHEEL, 15 X 7	
4	-	2	AXLE, 4,500lbs RATING	
5	-	1	JACK, 7,000# BULLDOG	
6	-	1	3" ADJUSTABLE EYE	
7	-	1	FUEL TANK CAPACITY: 200GAL.	MQ POWER



UNLESS OTHERWISE SPECIFIED DIMENSIONS ARE IN INCHES TOLERANCES ARE :		CUSTOMER		MQ POWER TEL: (310) 537-3700/FAX: (310) 632-2656 18910 WILMINGTON AVENUE CARSON, CA 90746	
FRACTIONS	DECIMALS	ANGLES	JOB NO.		
±	.XX ±	±	APPROVALS	DATE	TRLR 85XF w/DCA60SSIU GENSET
	.XXX ±		DRAWN		
DERIVED FROM	MATERIAL	FINISH	CHECKED	DATE	SIZE
REV A	DATE 1/28/03		J. TRAN	12-6-02	D
CAD CODE 200699A	DO NOT SCALE DRAWING		J. ROSE		FSCM NO.
			SALESMAN		DWG. NO. 200699
					SHEET 1 / 1
					SCALE 1 = 12

DWG. NO. 200699 REVISION A