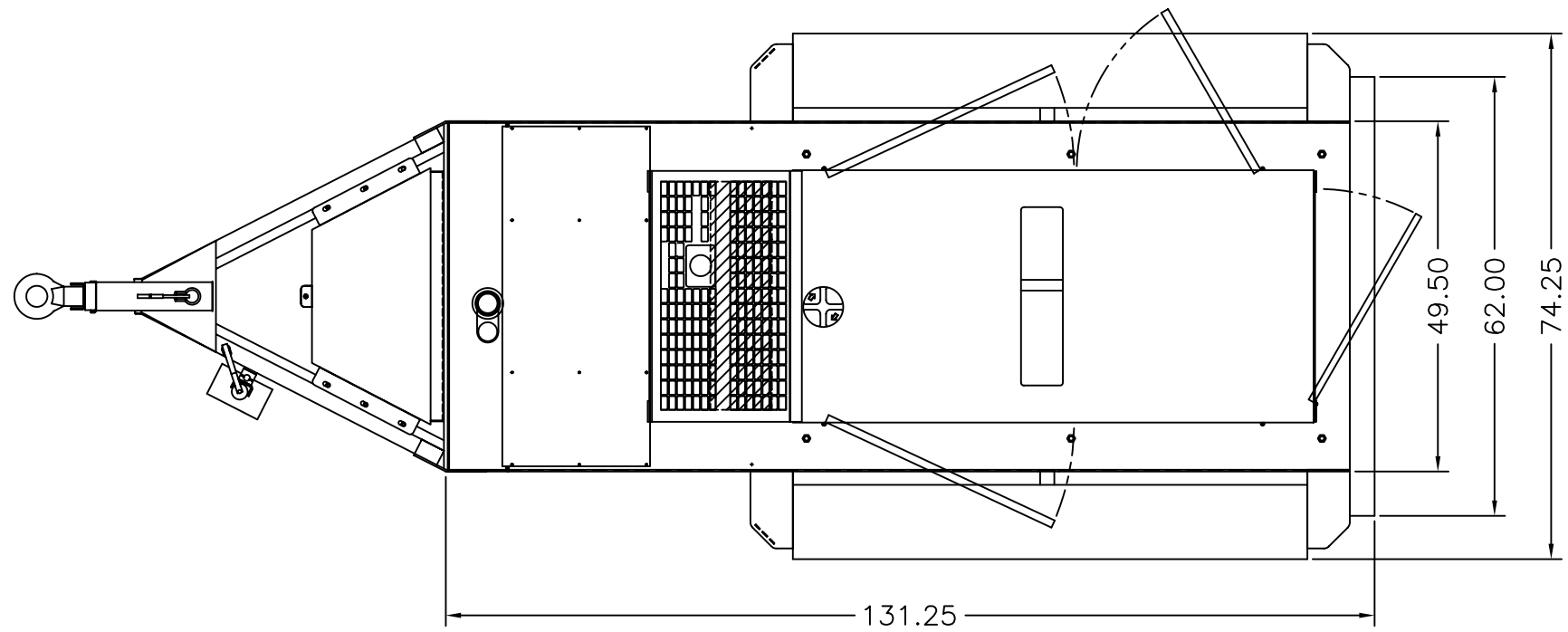
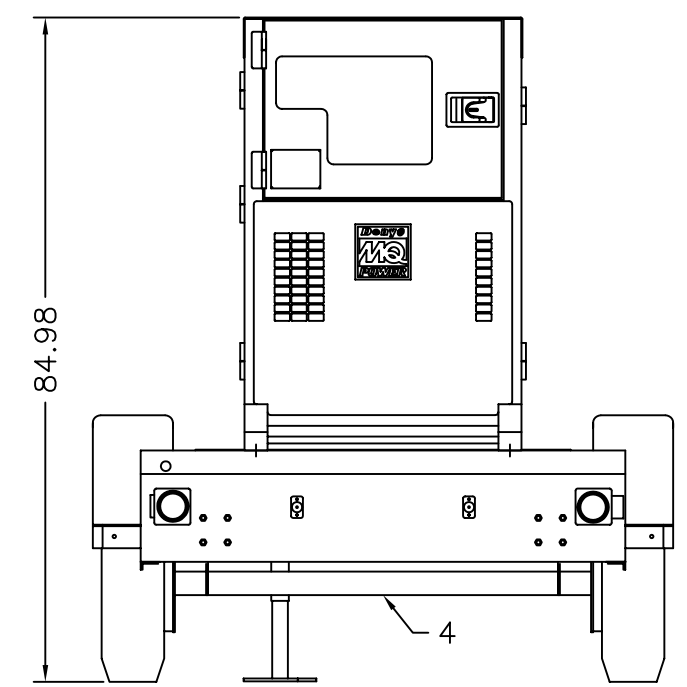
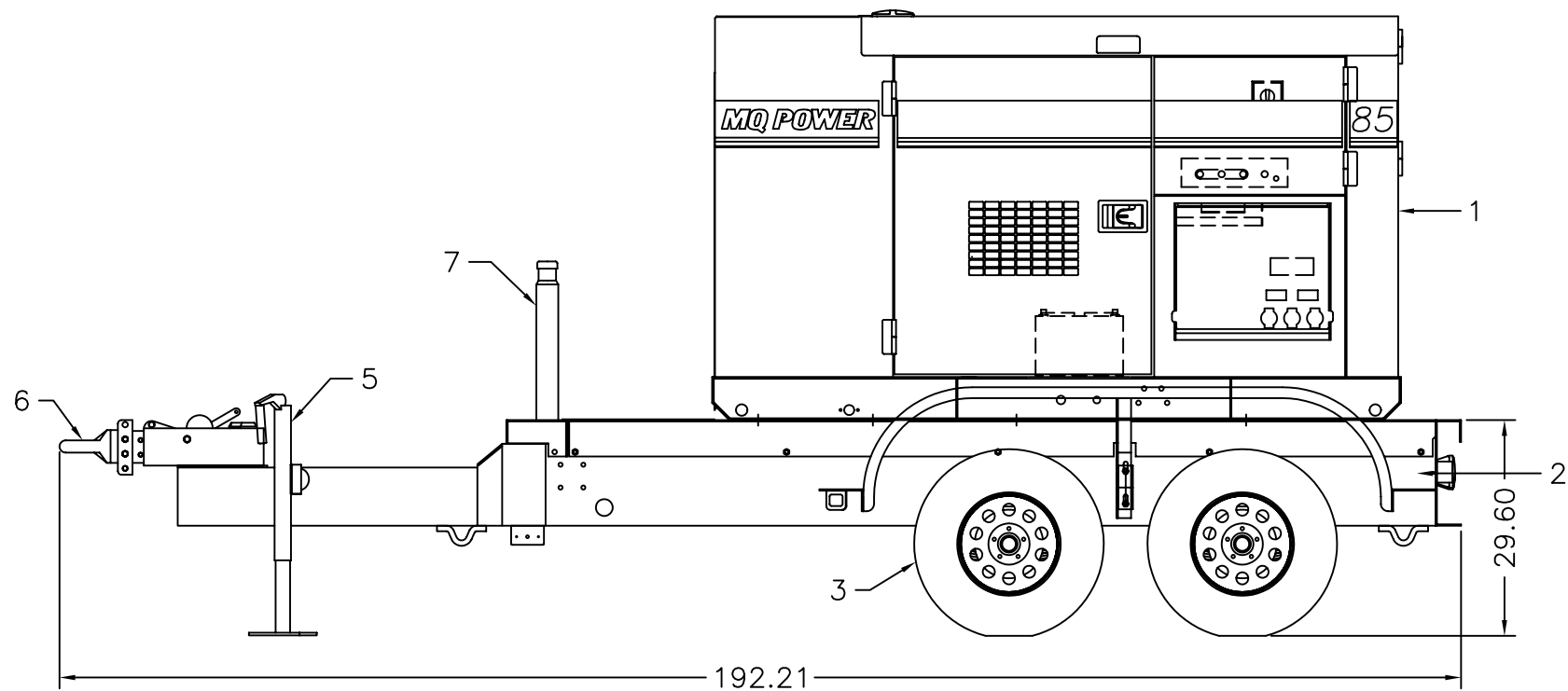


THIS DRAWING AND THE DATA DISCLOSED HEREIN OR HEREWITH IS CONFIDENTIAL AND PROPRIETARY AND IS NOT TO BE REPRODUCED, USED, OR DISCLOSED IN WHOLE OR IN PART TO ANYONE WITHOUT THE EXPRESSED WRITTEN PERMISSION OF MULTQUIP COMPANY.



PART LISTS				
ITEM	PART NUMBER	QTY	DESCRIPTION	MANUFACTURE
1	DCA85SSJU	1	85KVA GENSET 85SSJU GENSET WEIGHT (APPROX.): 3,350lbs	DENYO
2	TRLR85XF	1	TRAILER (MODEL: TRLR85XF) TRAILER WT. (APPROX.) ONLY: 2,600lbs G.V.W.R.: 9,000lbs TONGUE WT.: OVERALL DIMENSION: 192L X 74W X 85H	MQ POWER
3	-	4	TIRE, ST225/75 D15D WHEEL, 15 X 7	
4	-	2	AXLE, 4,500lbs RATING	
5	-	1	JACK, 7,000# BULLDOG	
6	-	1	3" ADJUSTABLE EYE	
7	-	1	FUEL TANK CAPACITY: 200GAL.	MQ POWER



UNLESS OTHERWISE SPECIFIED DIMENSIONS ARE IN INCHES TOLERANCES ARE :		CUSTOMER		MQ POWER TEL: (310) 537-3700/FAX: (310) 632-2656 18910 WILMINGTON AVENUE CARSON, CA 90746	
FRACTIONS	DECIMALS	ANGLES	JOB NO.		
±	.XX ±	±			
	.XXX ±				
DERIVED FROM		MATERIAL		TRLR 85XF w/DCA85SSJU GENSET	
REV	DATE	FINISH	APPROVALS	DATE	SIZE
A	1/28/03		J. TRAN	12-9-02	D
CAD CODE 200697A		DO NOT SCALE DRAWING		CHECKED	FSCM NO.
				J. ROSE	200697
				SALESMAN	SHEET
				SCALE	1 / 1
				1 = 12	

DWG. NO. 200697 REVISION A