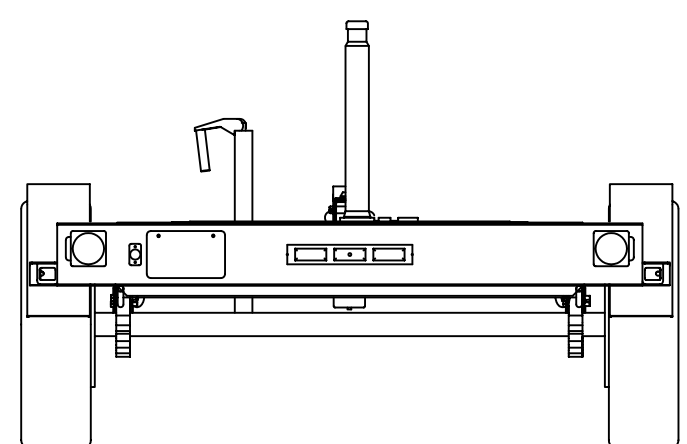
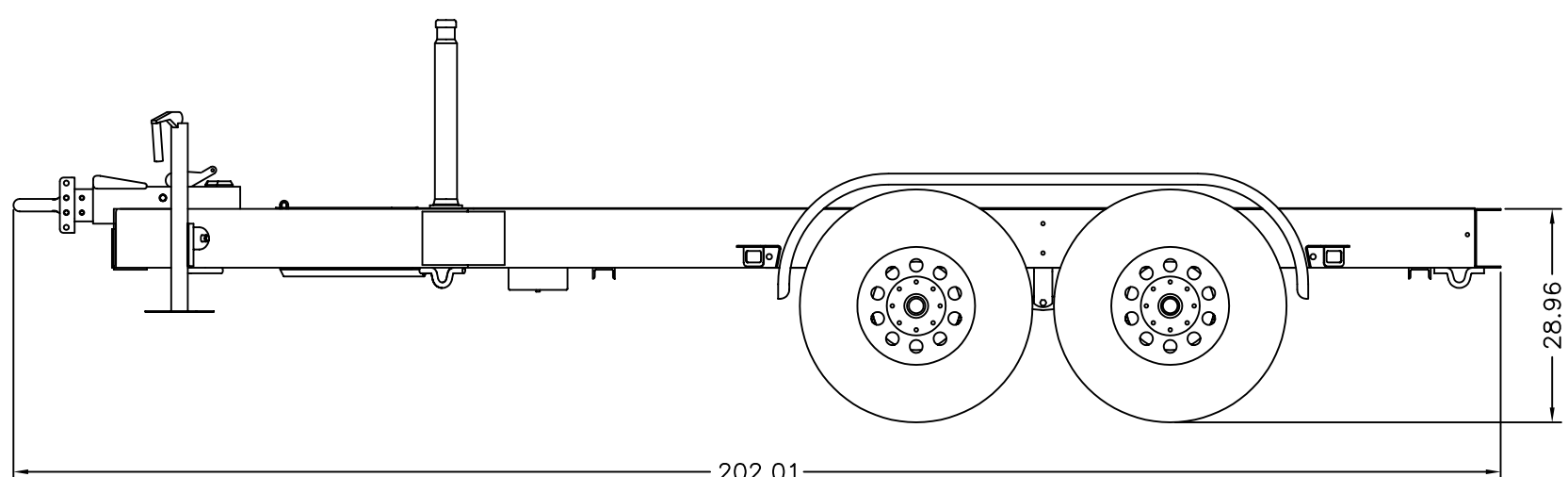
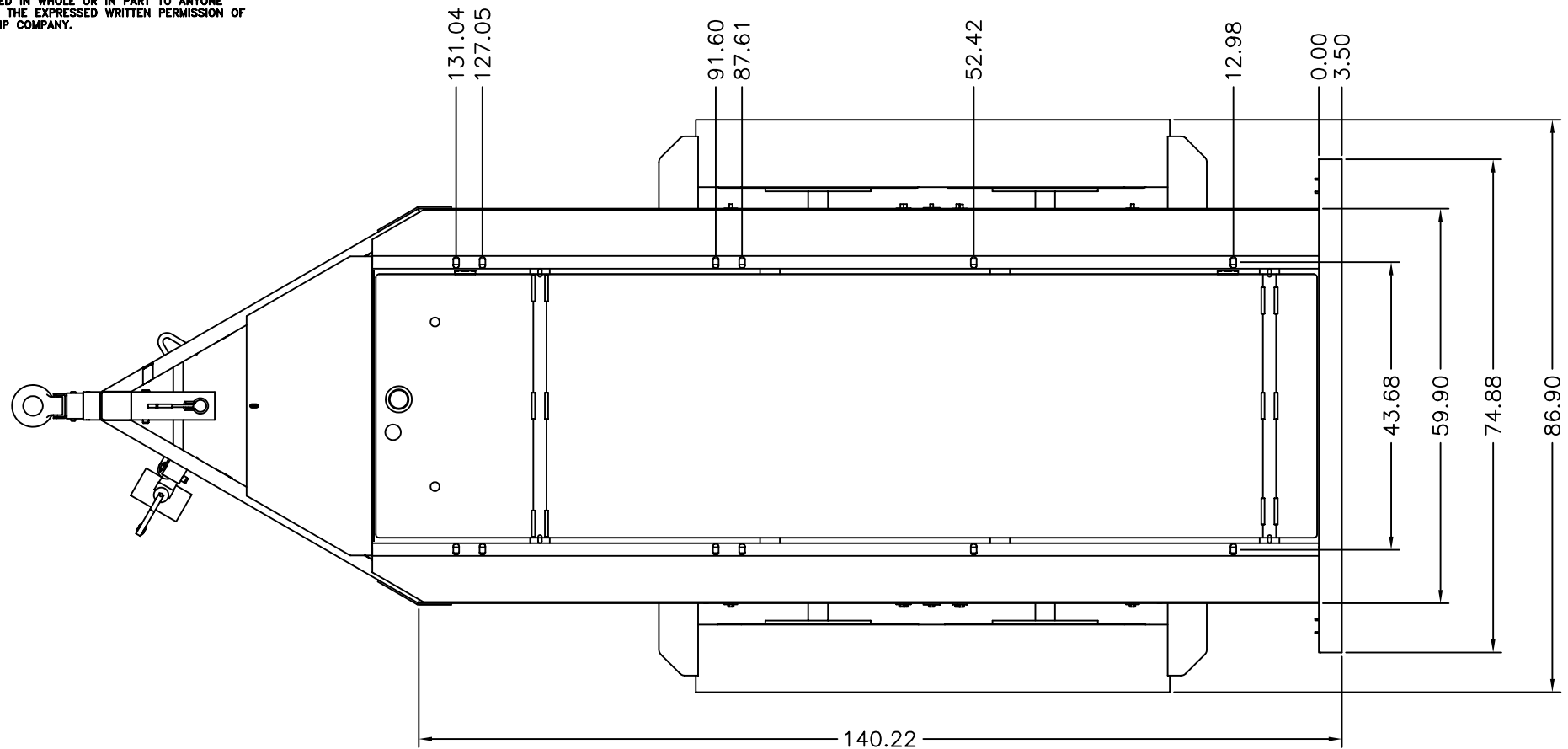


THIS DRAWING AND THE DATA DISCLOSED HEREIN OR HEREWITH IS CONFIDENTIAL AND PROPRIETARY AND IS NOT TO BE REPRODUCED, USED, OR DISCLOSED IN WHOLE OR IN PART TO ANYONE WITHOUT THE EXPRESSED WRITTEN PERMISSION OF MULTIQUIP COMPANY.

DWG. NO. 200505 REVISION C

REVISIONS				
ZONE	LTR	DESCRIPTION	DATE	APPROVED
C		TITLE BLOCK UPDATE	1-28-03	E. EHLERS



150XF GENERATOR TRAILER	
LENGTH	202"
WIDTH	87"
FRAME WIDTH	60"
AXLE	6000# (QTY 2)
TIRES	750-16LR "E", 2780# (QTY 4)
WHEELS	-
GVWR	12,000#
JACK	5K ATWOODJACK
HITCH	3" ADJUSTABLE EYE (OPTIONAL)
FUEL TANK	200GAL. (CAPACITY)

UNLESS OTHERWISE SPECIFIED DIMENSIONS ARE IN INCHES TOLERANCES ARE :		CUSTOMER		MQ POWER TEL: (310) 537-3700/FAX: (310) 632-2656 18910 WILMINGTON AVENUE CARSON, CA 90746			
FRACTIONS	DECIMALS	ANGLES	JOB NO.				
±	.XX ±	±					
	.XXX ±						
DERIVED FROM		MATERIAL		APPROVALS		DATE	
REV	DATE	FINISH		DRAWN		DATE	
C	1-28-03	DO NOT SCALE DRAWING		J. TRAN		11-21-01	
CAD CODE 200505C				CHECKED			
				J. ROSE			
				SALESMAN			
				SCALE		SHEET	
				1 = 12		1 / 1	

DWG. NO. 200505 REVISION C