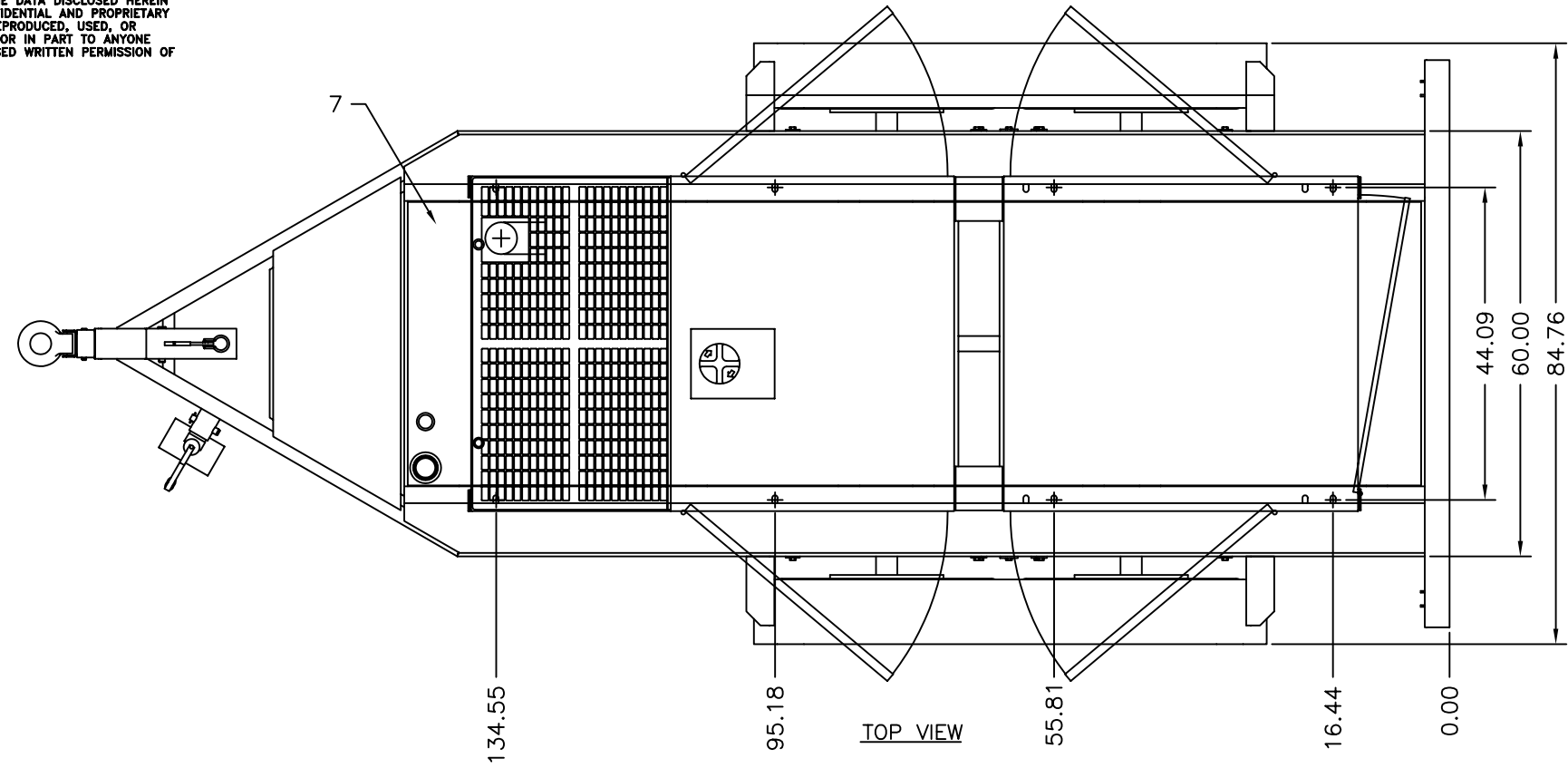
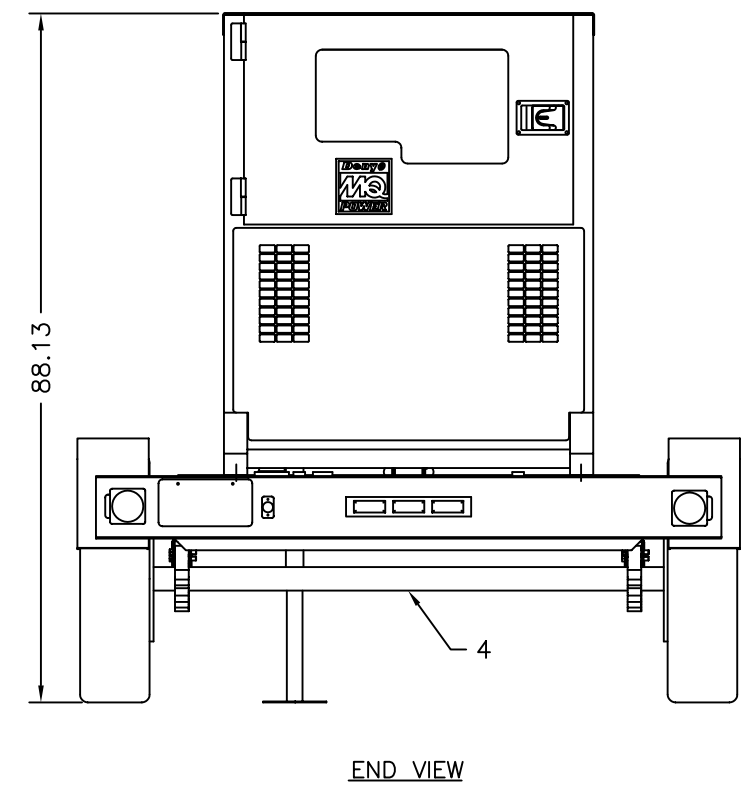
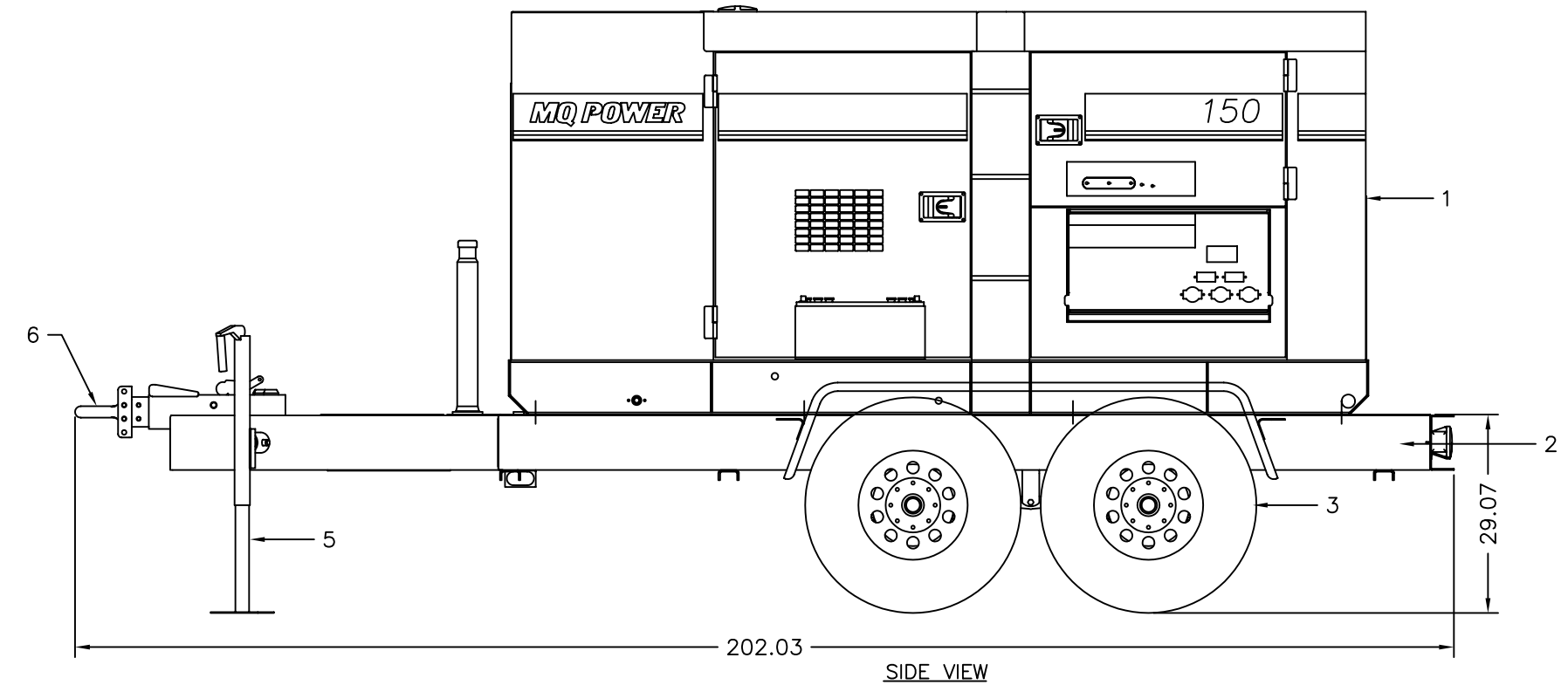


THIS DRAWING AND THE DATA DISCLOSED HEREIN OR HEREWITH IS CONFIDENTIAL AND PROPRIETARY AND IS NOT TO BE REPRODUCED, USED, OR DISCLOSED IN WHOLE OR IN PART TO ANYONE WITHOUT THE EXPRESSED WRITTEN PERMISSION OF MULTQUIP COMPANY.



PART LISTS				
ITEM	PART NUMBER	QTY	DESCRIPTION	MANUFACTURE
1	DCA 150SSJU	1	150KVA GENSET 150SSJU GENSET WEIGHT (APPROX.): 5,617lbs	DENYO
2	MQ150XF	1	TRAILER (MODEL: TRLR150XF) TRAILER WT. ONLY: G.V.W.R.: 12,000lbs TONGUE WT.: OVERALL DIMENSION: 202L X 83W X 88H	
3		4	TIRE 750-16LR "E", 2780# RATING WHEEL 16" X 7"	
4		2	AXLE, 6,000lbs RATING	
5	82471	1	5K ATWOOD JACK	
6	16137-00	1	3" ADJUSTABLE EYE	
7		1	FUEL TANK CAPACITY: 200GAL.	



UNLESS OTHERWISE SPECIFIED DIMENSIONS ARE IN INCHES TOLERANCES ARE :		CUSTOMER		MQ POWER TEL: (310) 537-3700/FAX: (310) 632-2656 18910 WILMINGTON AVENUE CARSON, CA 90746		
FRACTIONS	DECIMALS	ANGLES	JOB NO.			
±	.XX ±	±				
	.XXX ±					
DERIVED FROM		MATERIAL	APPROVALS	DATE	TRLR 150XF w/DCA150SSJU GENSET	
REV	DATE	FINISH	J. TRAN	5-21-01	SIZE	FSCM NO.
C	1-28-03		J. ROSE	5-30-01	D	200181
CAD CODE	DO NOT SCALE DRAWING		SALESMAN		SCALE	DWG. NO.
200181C					1 = 12	200181
						SHEET
						1 / 1

DWG. NO. 200181 C