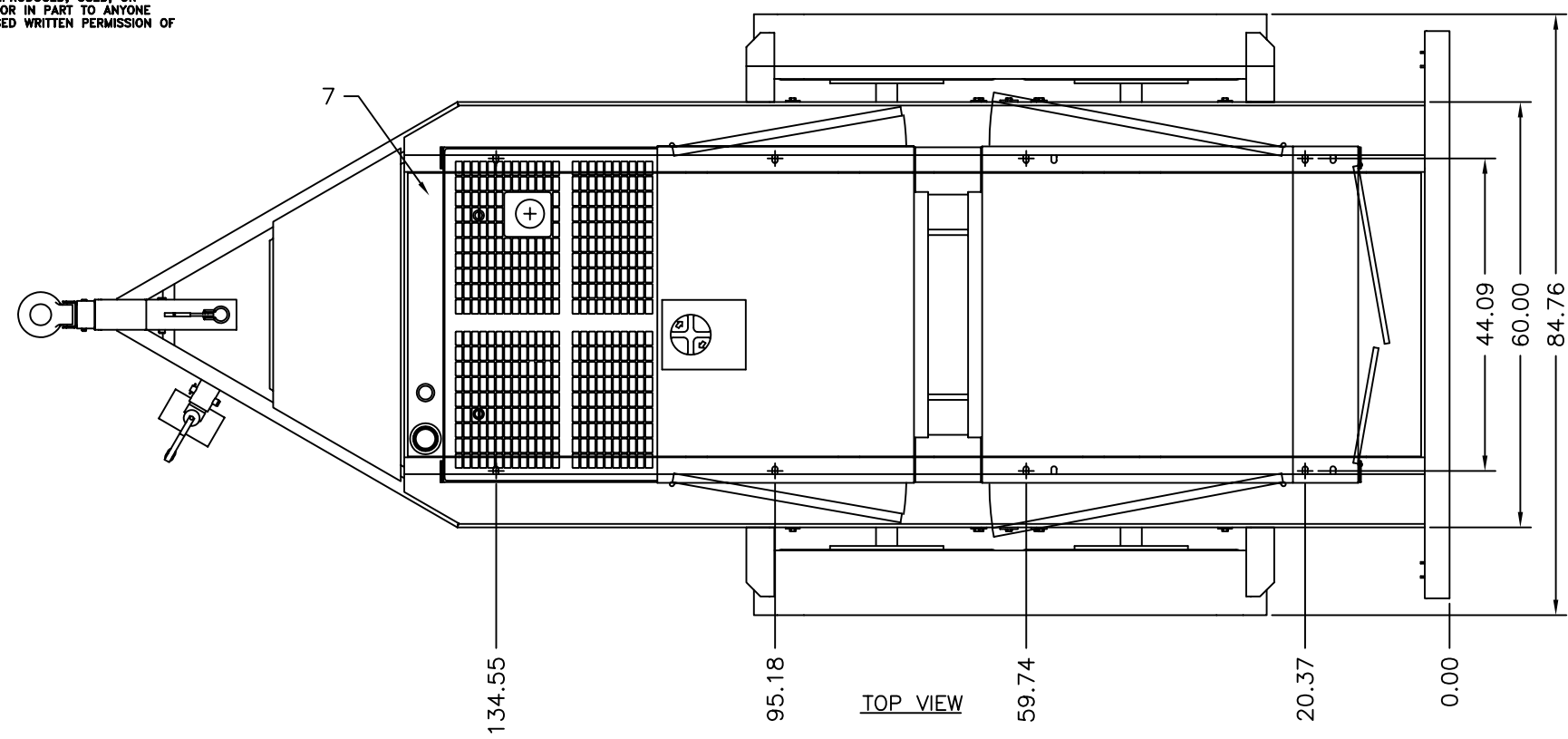
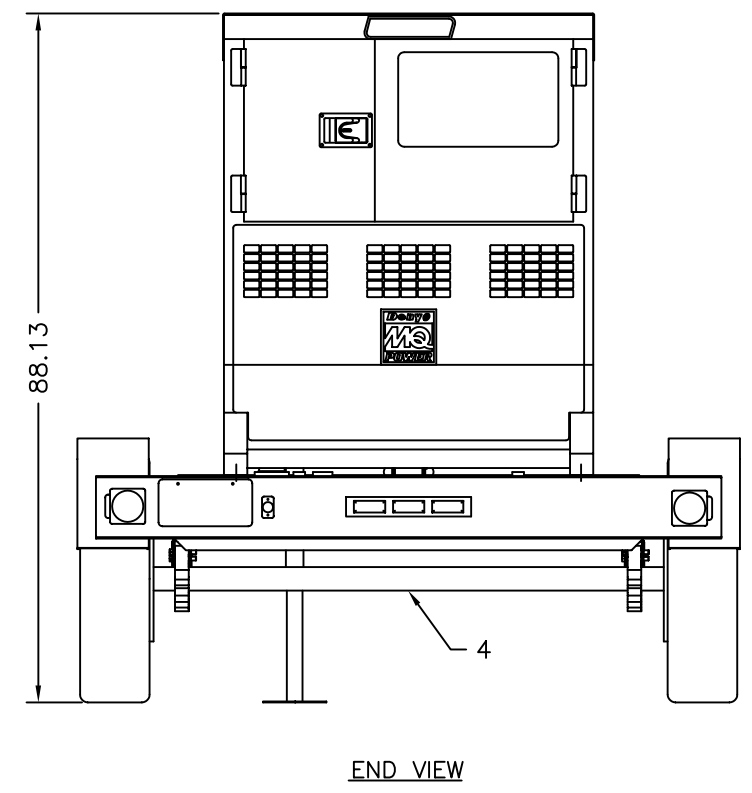
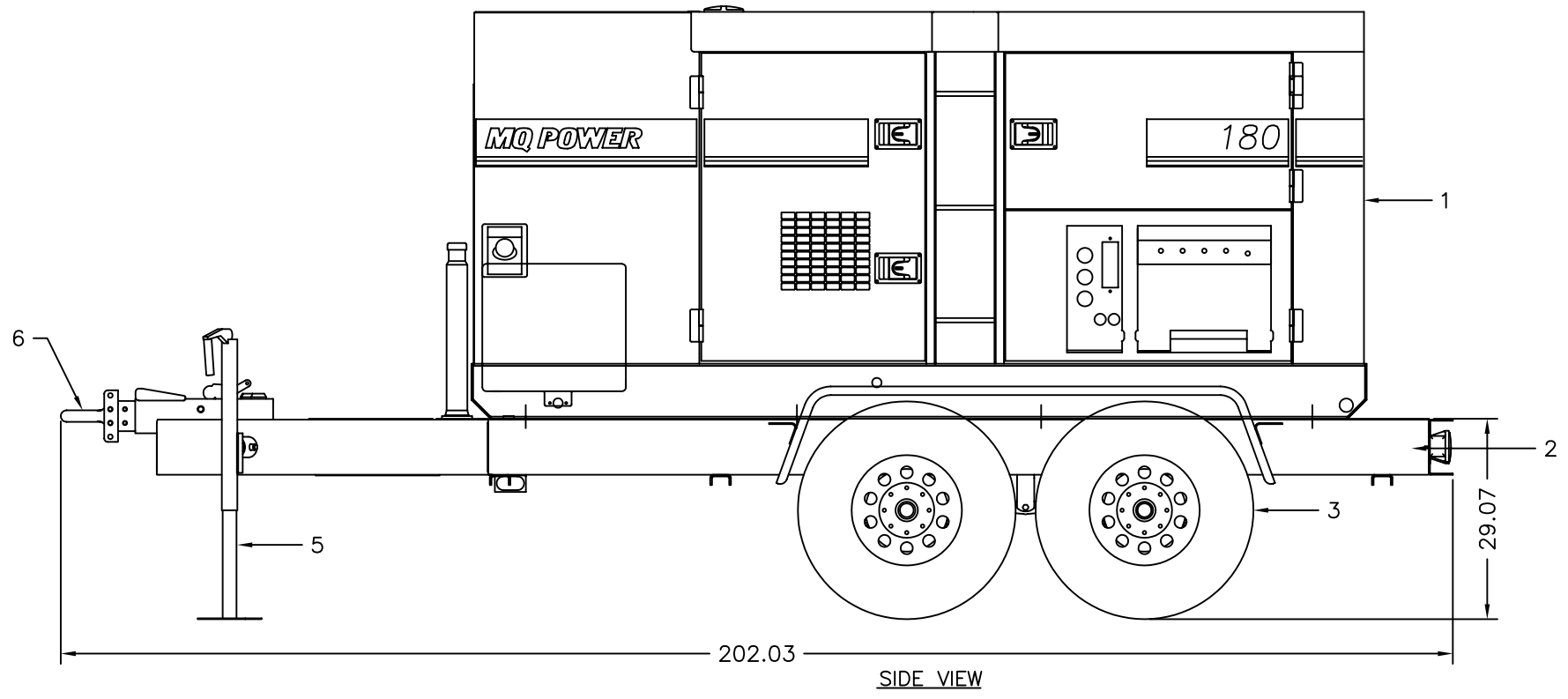


THIS DRAWING AND THE DATA DISCLOSED HEREIN OR HEREWITH IS CONFIDENTIAL AND PROPRIETARY AND IS NOT TO BE REPRODUCED, USED, OR DISCLOSED IN WHOLE OR IN PART TO ANYONE WITHOUT THE EXPRESSED WRITTEN PERMISSION OF MULTQUIP COMPANY.



PART LISTS				
ITEM	PART NUMBER	QTY	DESCRIPTION	MANUFACTURE
1	DCA 180SSK	1	180KVA GENSET 180SSK GENSET WEIGHT (APPROX.): 6,372lbs	DENYO
2	MQ150XF	1	TRAILER (MODEL: TRLR150XF) TRAILER WT. ONLY: G.V.W.R.: 12,000lbs TONGUE WT.: OVERALL DIMENSION: 202L X 83W X 88H	
3		4	TIRE 750-16LR "E", 2780# RATING WHEEL 16" X 7"	
4		2	AXLE, 6,000lbs RATING	
5	82471	1	5K ATWOOD JACK	
6	16137-00	1	3" ADJUSTABLE EYE	
7		1	FUEL TANK CAPACITY: 200GAL.	



UNLESS OTHERWISE SPECIFIED DIMENSIONS ARE IN INCHES TOLERANCES ARE :		CUSTOMER		MQ POWER TEL: (310) 537-3700/FAX: (310) 632-2656 18910 WILMINGTON AVENUE CARSON, CA 90746		
FRACTIONS	DECIMALS	ANGLES	JOB NO.			
±	.XX ±	±				
	.XXX ±					
DERIVED FROM		MATERIAL	DRAWN	DATE	TRLR 150XF w/DCA180SSK GENSET	
REV	DATE	FINISH	J. TRAN	6-1-01	SIZE	FSCM NO.
A	1-28-03		J. ROSE		D	200197
CAD CODE 200197A		DO NOT SCALE DRAWING		SALESMAN	SCALE	DWG. NO. SHEET
					1 = 12	200197 1 / 1

DWG. NO. 200197 REVISION A