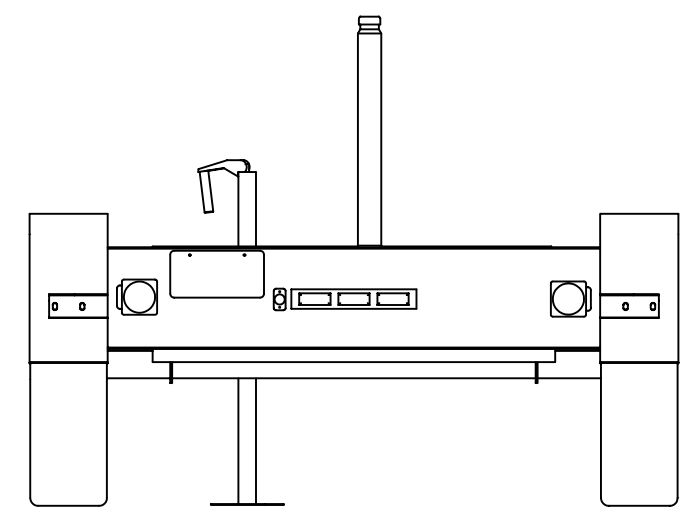
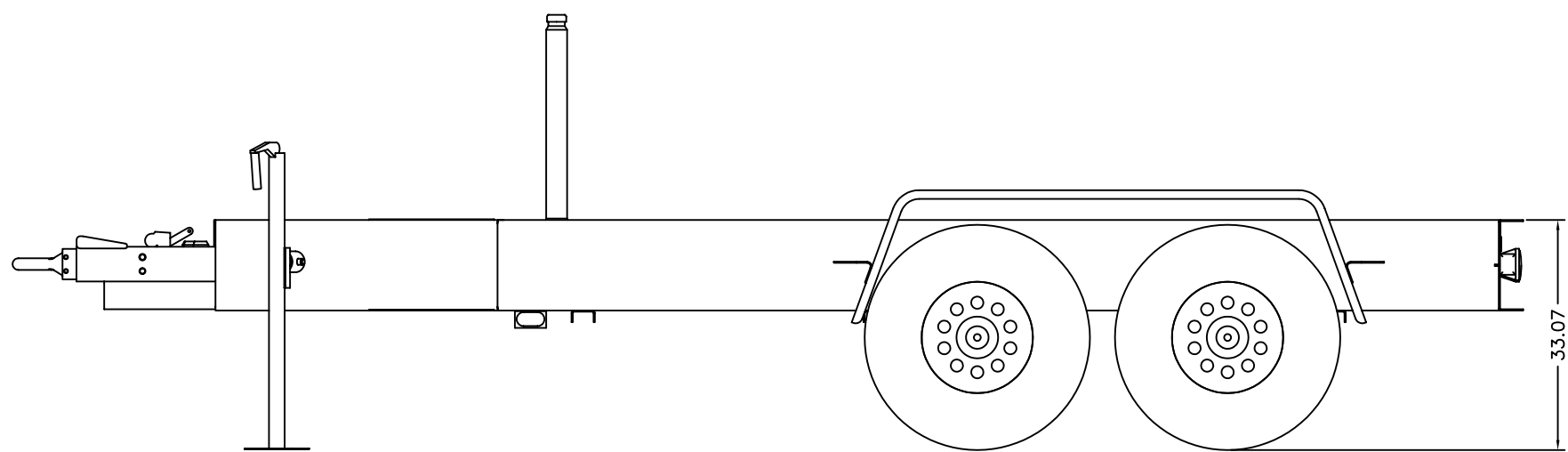
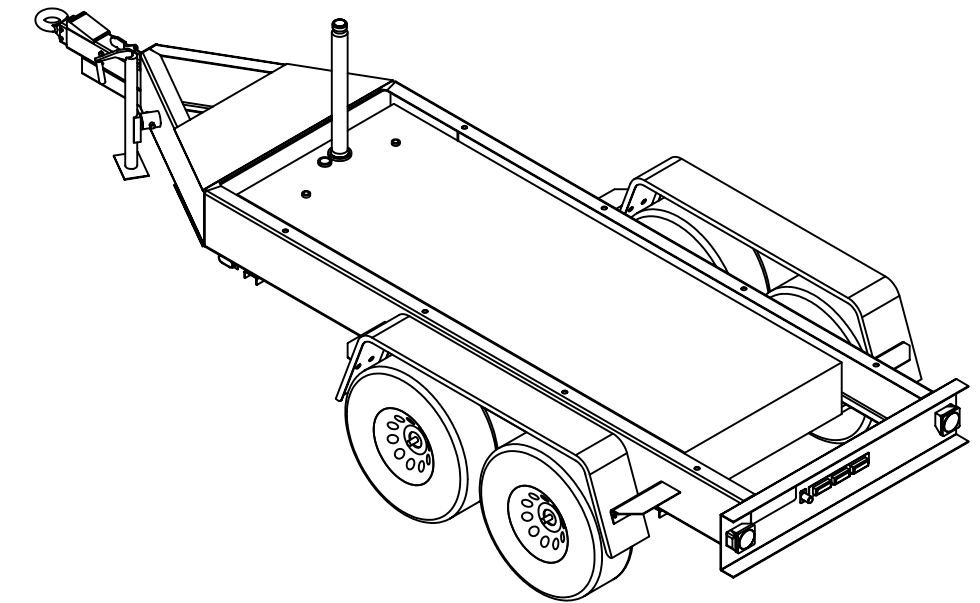
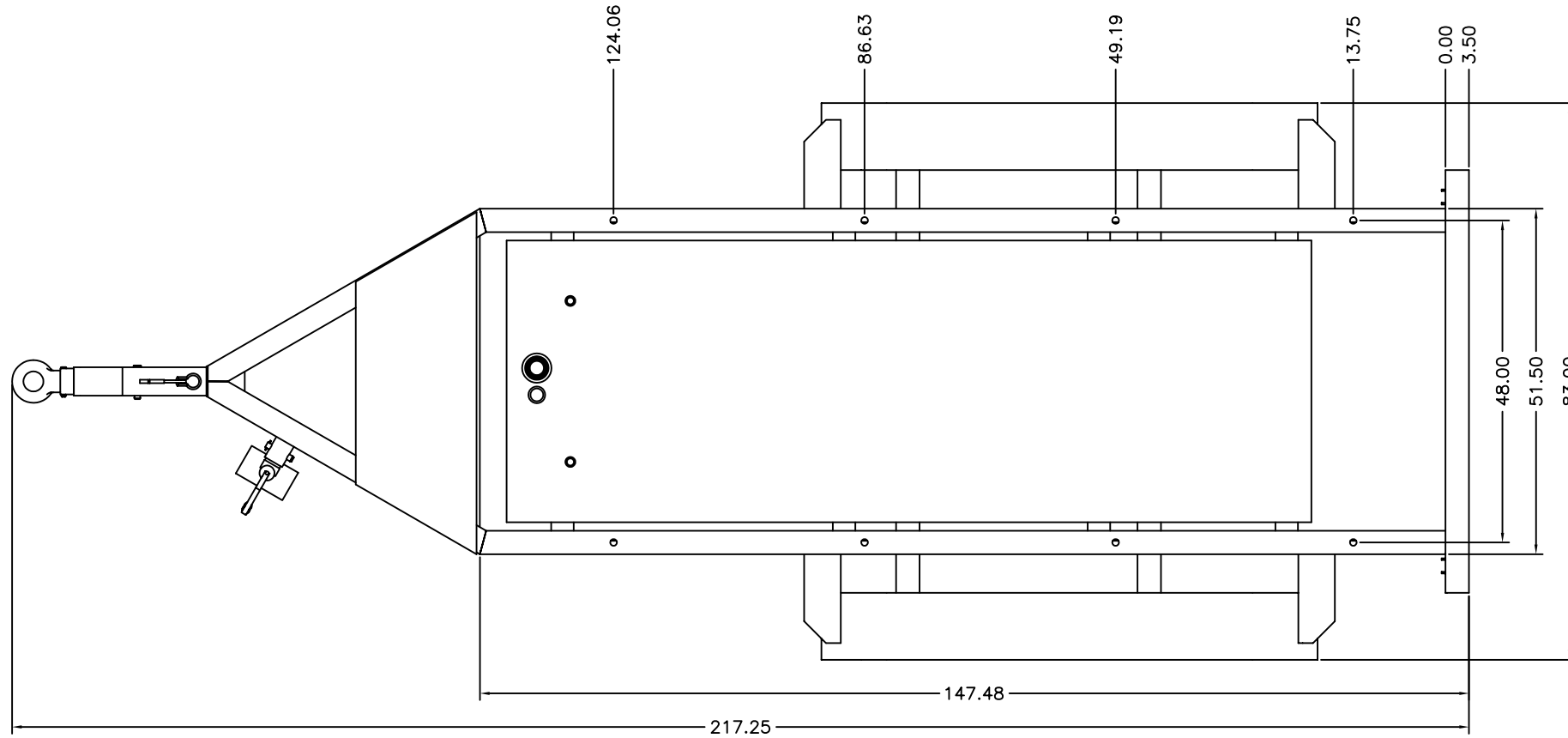


THIS DRAWING AND THE DATA DISCLOSED HEREIN OR HEREWITH IS CONFIDENTIAL AND PROPRIETARY AND IS NOT TO BE REPRODUCED, USED, OR DISCLOSED IN WHOLE OR IN PART TO ANYONE WITHOUT THE EXPRESSED WRITTEN PERMISSION OF MULTIQUIP COMPANY.

DWG. NO. 200506 REVISION A

REVISIONS				
ZONE	LTR	DESCRIPTION	DATE	APPROVED
A		TITLE BLOCK UPDATE	1-28-03	E. EHLERS



220XF GENERATOR TRAILER	
LENGTH	217"
WIDTH	83"
FRAME WIDTH	51.50"
AXLE	7000# (QTY 2)
TIRES	235/85R16 "E", 3042# (QTY 4)
WHEELS	-
GVWR	14,000#
JACK	5K ATWOODJACK
HITCH	3" ADJUSTABLE EYE (OPTIONAL)
FUEL TANK	250GAL. (CAPACITY)

UNLESS OTHERWISE SPECIFIED DIMENSIONS ARE IN INCHES TOLERANCES ARE :		CUSTOMER		<b>MQ POWER</b> TEL: (310) 537-3700/FAX: (310) 632-2656 18910 WILMINGTON AVENUE CARSON, CA 90746		
FRACTIONS	DECIMALS	ANGLES	JOB NO.			
±	.XX ±	±				
	.XXX ±					
DERIVED FROM		MATERIAL	APPROVALS	DATE	OUTLINE - TRAILER	
REV	DATE	FINISH	J. TRAN	11-21-01	TRLR 220XF	
A	1-28-03		CHECKED		SIZE	FSCM NO.
CAD CODE 200506A		DO NOT SCALE DRAWING	J. ROSE		D	
			SALESMAN		SCALE	DWG. NO.
					1 = 12	200506
						SHEET
						1 / 1

DWG. NO. 200506  
 REVISION A