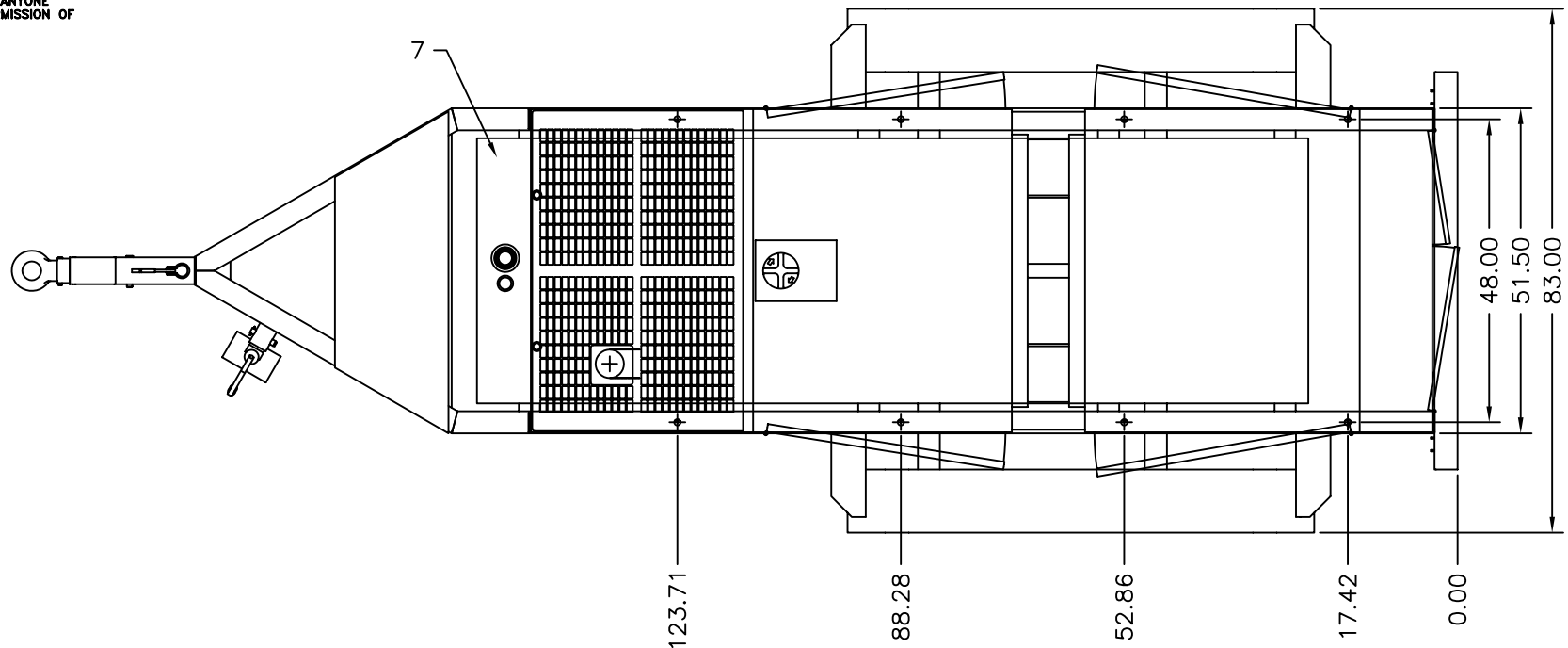
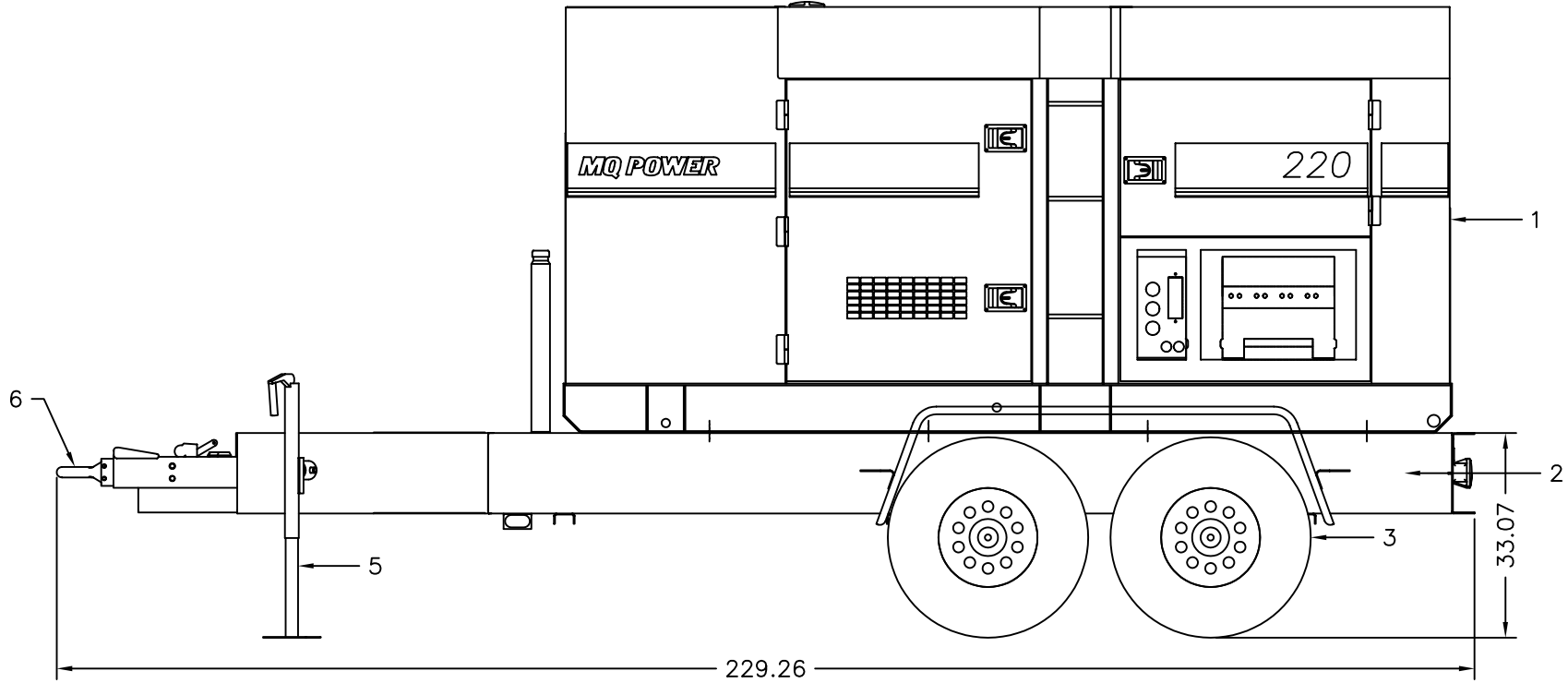


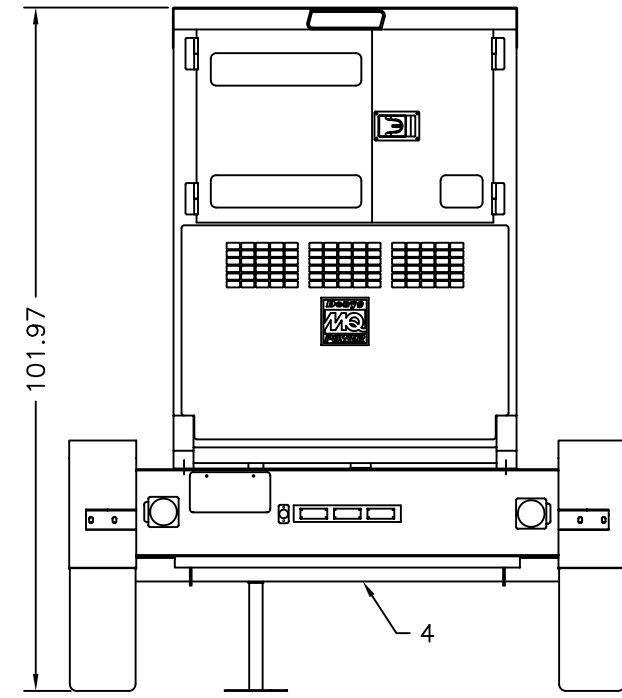
THIS DRAWING AND THE DATA DISCLOSED HEREIN OR HEREWITH IS CONFIDENTIAL AND PROPRIETARY AND IS NOT TO BE REPRODUCED, USED, OR DISCLOSED IN WHOLE OR IN PART TO ANYONE WITHOUT THE EXPRESSED WRITTEN PERMISSION OF MULTQUIP COMPANY.



TOP VIEW



SIDE VIEW



END VIEW

PART LISTS				
ITEM	PART NUMBER	QTY	DESCRIPTION	MANUFACTURE
1	DCA 220SSK	1	220KVA GENSET 220SSK GENSET WEIGHT (APPROX.): 8,091lbs	DENYO
2	MQ220XF	1	TRAILER (MODEL: TRLR220XF) TRAILER WT. ONLY: G.V.W.R.: 14,000lbs TONGUE WT.: OVERALL DIMENSION: 230L X 83W X 102H	
3		4	TIRE ST235/85R16E, 3042# RATING WHEEL 16" X 7"	
4		2	AXLE, 7,000lbs RATING	
5	82471	1	5K ATWOOD JACK	
6	16137-00	1	3" ADJUSTABLE EYE	
7		1	FUEL TANK CAPACITY: 250GAL.	

UNLESS OTHERWISE SPECIFIED DIMENSIONS ARE IN INCHES TOLERANCES ARE :		CUSTOMER		<b>MQ POWER</b> TEL: (310) 537-3700/FAX: (310) 632-2656 18910 WILMINGTON AVENUE CARSON, CA 90746		
FRACTIONS	DECIMALS	ANGLES	JOB NO.			
±	.XX ±	±				
	.XXX ±					
DERIVED FROM		MATERIAL		TRLR 220XF w/DCA220SSK GENSET		
REV	DATE	FINISH		DRAWN	DATE	
C	1-28-03			J. TRAN	5-22-01	
CAD CODE 200184C		DO NOT SCALE DRAWING		CHECKED	DATE	SIZE
				J. ROSE	5-30-01	D
				SALESMAN		FSCM NO.
						200184
						DWG. NO.
						200184
						SHEET
						1 / 1
						SCALE
						1 = 14

DWG. NO. 200184 C