

8

7

6

5

4

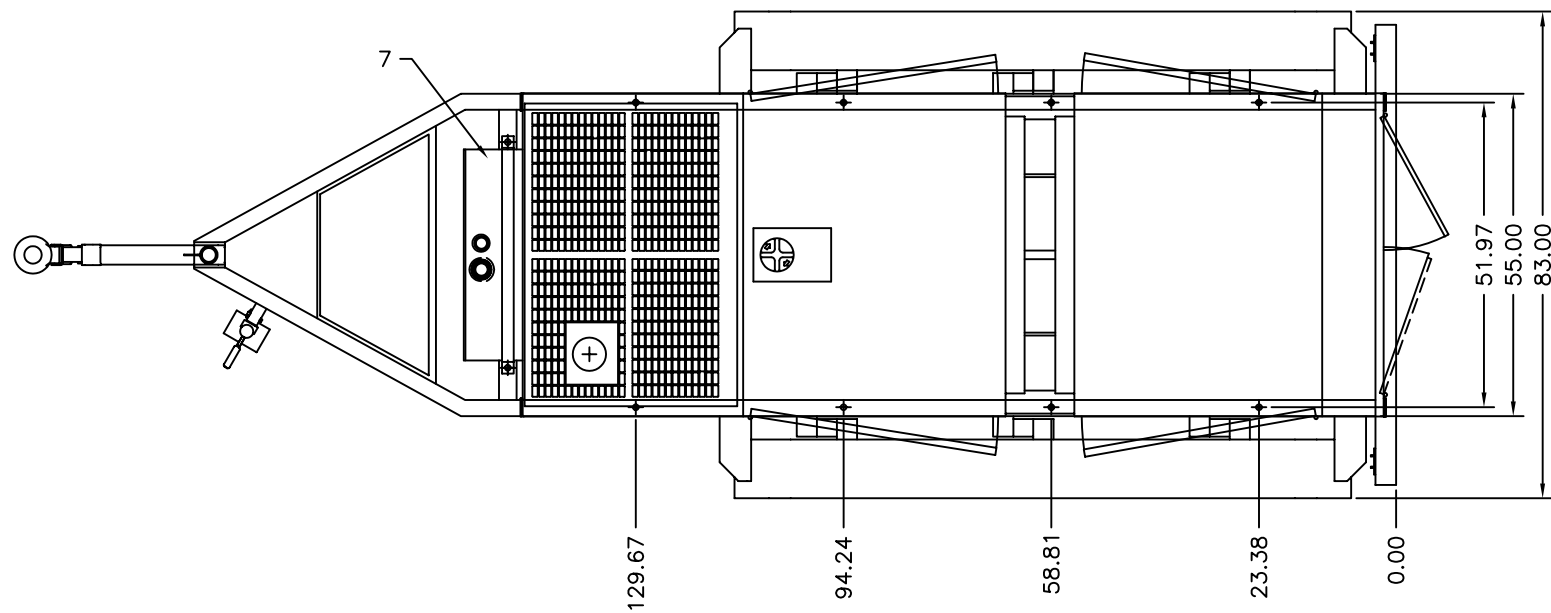
3

DWG. NO. 200191

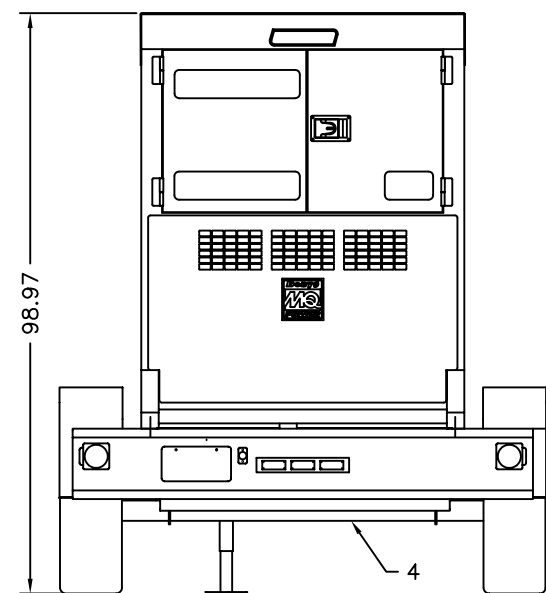
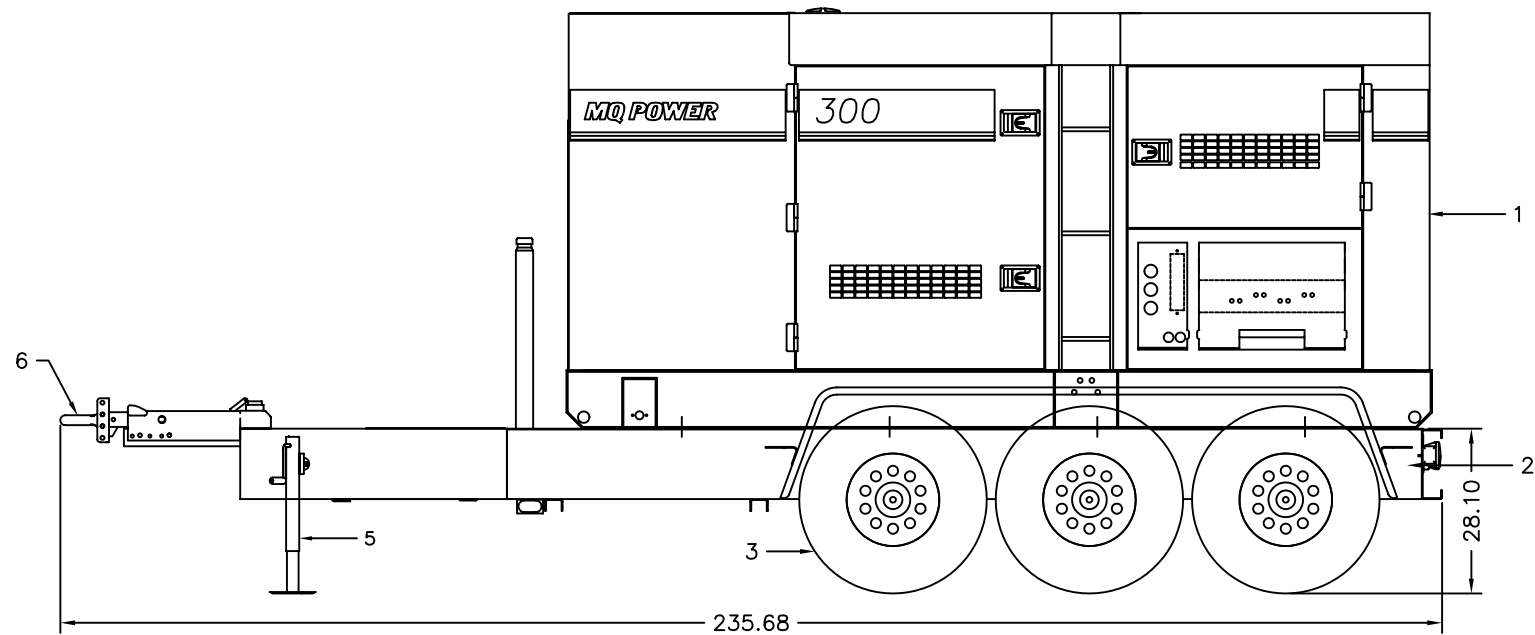
REVISION A

1

THIS DRAWING AND THE DATA DISCLOSED HEREIN OR HEREWITH IS CONFIDENTIAL AND PROPRIETARY AND IS NOT TO BE REPRODUCED, USED, OR DISCLOSED IN WHOLE OR IN PART TO ANYONE WITHOUT THE EXPRESSED WRITTEN PERMISSION OF MULTQUIP COMPANY.



PART LISTS				
ITEM	PART NUMBER	QTY	DESCRIPTION	MANUFACTURE
1	DCA 300SSK	1	300KVA GENSET 300SSK GENSET WEIGHT (APPROX.): 9,172lbs	DENYO
2	MQ300XF	1	TRAILER (MODEL: TRLR300XF) TRAILER WT. ONLY: G.V.W.R.: 18,000lbs TONGUE WT.: OVERALL DIMENSION: 236L X 83W X 99H	
3		6	TIRE ST235/85R16E, 3032# RATING WHEEL 16" X 7"	
4		3	AXLE, 6,000lbs RATING	
5	-	1	JACK	
6	16137-00	1	3" ADJUSTABLE EYE	
7		1	FUEL TANK CAPACITY: 250GAL.	



UNLESS OTHERWISE SPECIFIED DIMENSIONS ARE IN INCHES TOLERANCES ARE : FRACTIONS DECIMALS ANGLES ± .XX ± ± .XXX ±	CUSTOMER		MQ POWER TEL: (310) 537-3700/FAX: (310) 632-2656 18910 WILMINGTON AVENUE CARSON, CA 90746
	JOB NO.		
DERIVED FROM	MATERIAL	APPROVALS	DATE
REV A	DATE 1-28-03	J. TRAN	5-31-01
CAD CODE 200191A	DO NOT SCALE DRAWING	CHECKED J. ROSE	SALESMAN
		TRLR 300XF w/DCA300SSK GENSET	
		SIZE D	FSCM NO. 200191
		SCALE 1 = 12	DWG. NO. 200191 SHEET 1 / 1

8

7

6

5

4

3

2

1

DWG. NO. 200191

REVISION A

A