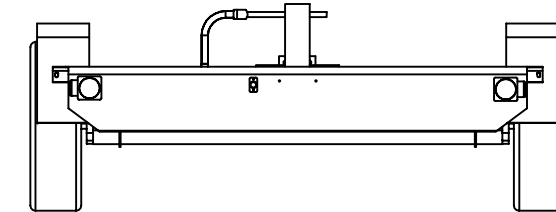
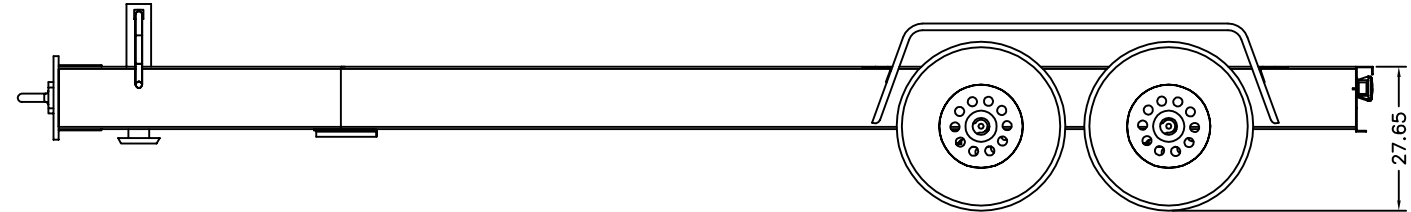
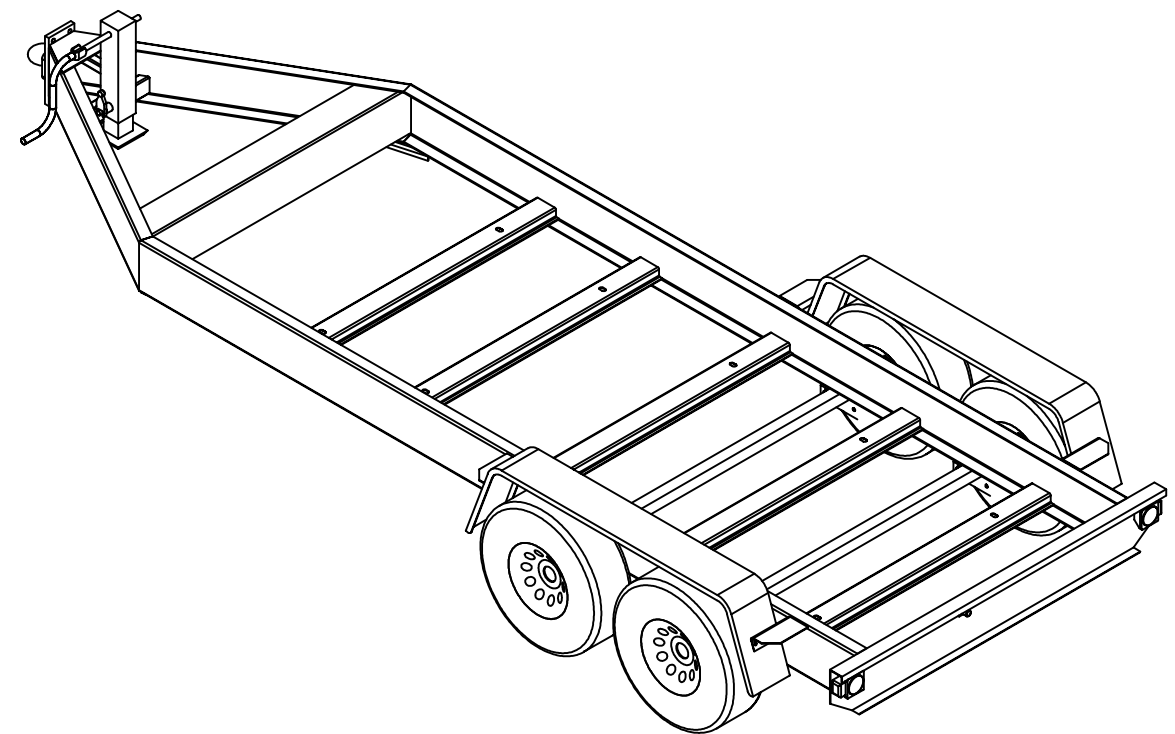
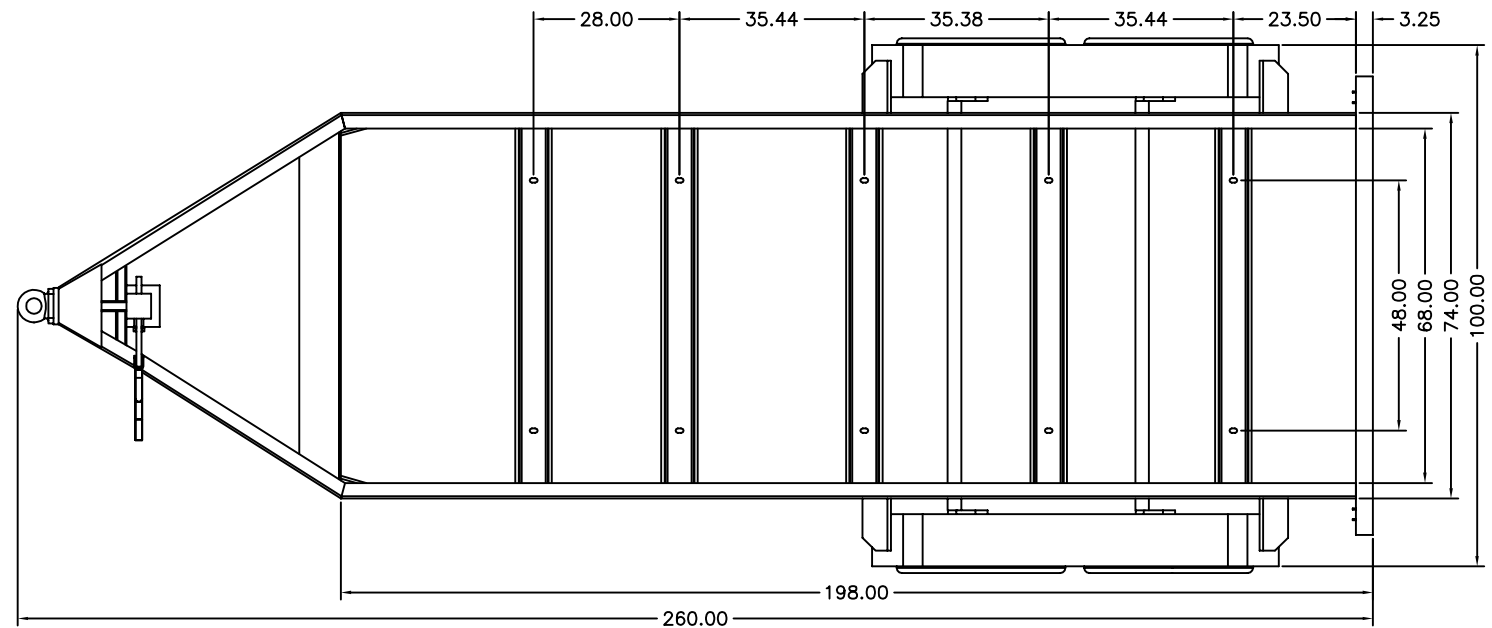


THIS DRAWING AND THE DATA DISCLOSED HEREIN OR HEREWITH IS CONFIDENTIAL AND PROPRIETARY AND IS NOT TO BE REPRODUCED, USED, OR DISCLOSED IN WHOLE OR IN PART TO ANYONE WITHOUT THE EXPRESSED WRITTEN PERMISSION OF MULTIQIP COMPANY.

DWG. NO.		200513		REVISION			
ZONE		LTR		DESCRIPTION		DATE	



MQ220EVSK	
LENGTH	260"
WIDTH	100"
FRAME WIDTH	74"
AXLE	7000# (QTY 2)
TIRES	ST235/85-R16G (QTY 4)
WHEELS	-
GVWR	14,400#
JACK	12K STALLION
HITCH	3" ADJUSTABLE EYE

DERIVED FROM MIGHTY MOVER (MQ220EVSK)		MATERIAL		CUSTOMER		<b>MQ POWER</b> TEL: (310) 537-3700/FAX: (310) 632-2856 18910 WILMINGTON AVENUE CARSON, CA 90746	
REV	DATE	FINISH		APPROVALS	DATE		
CAD CODE 200513		DO NOT SCALE DRAWING		DRAWN J. TRAN 11-26-01		JOB NO. APPROVALS CHECKED J. ROSE SALESMAN DATE OUTLINE - TRAILER MQ220EVSK SIZE D SCALE 1 = 18	
						DWG. NO. 200513 SHEET 1 / 1	

DWG. NO. 200513