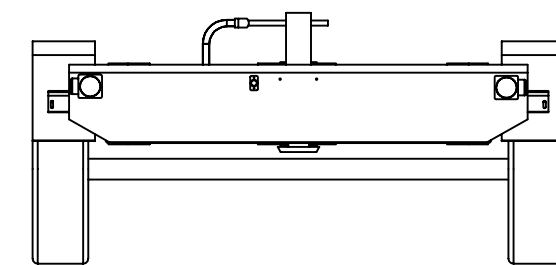
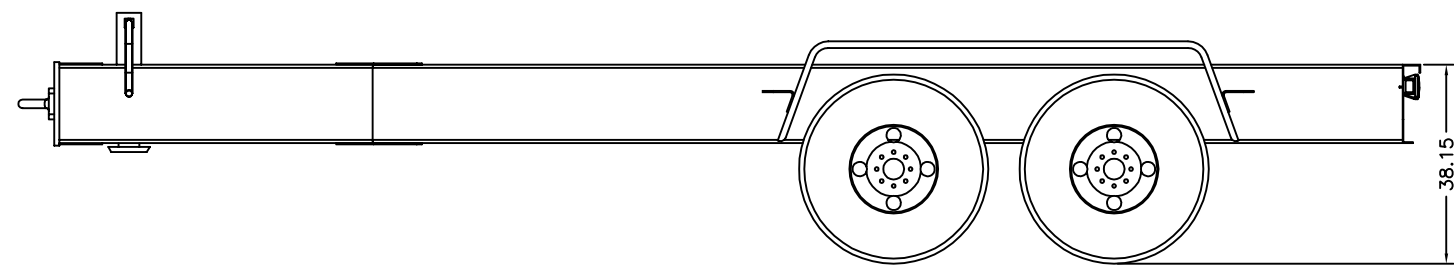
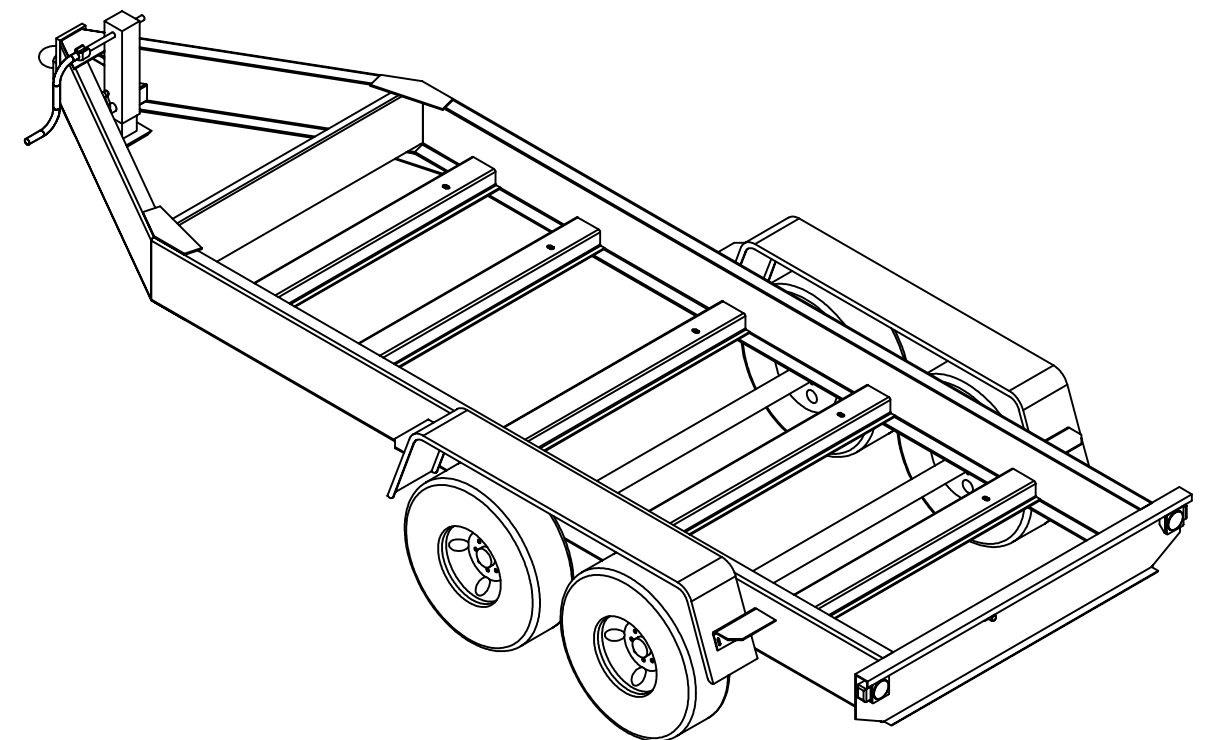
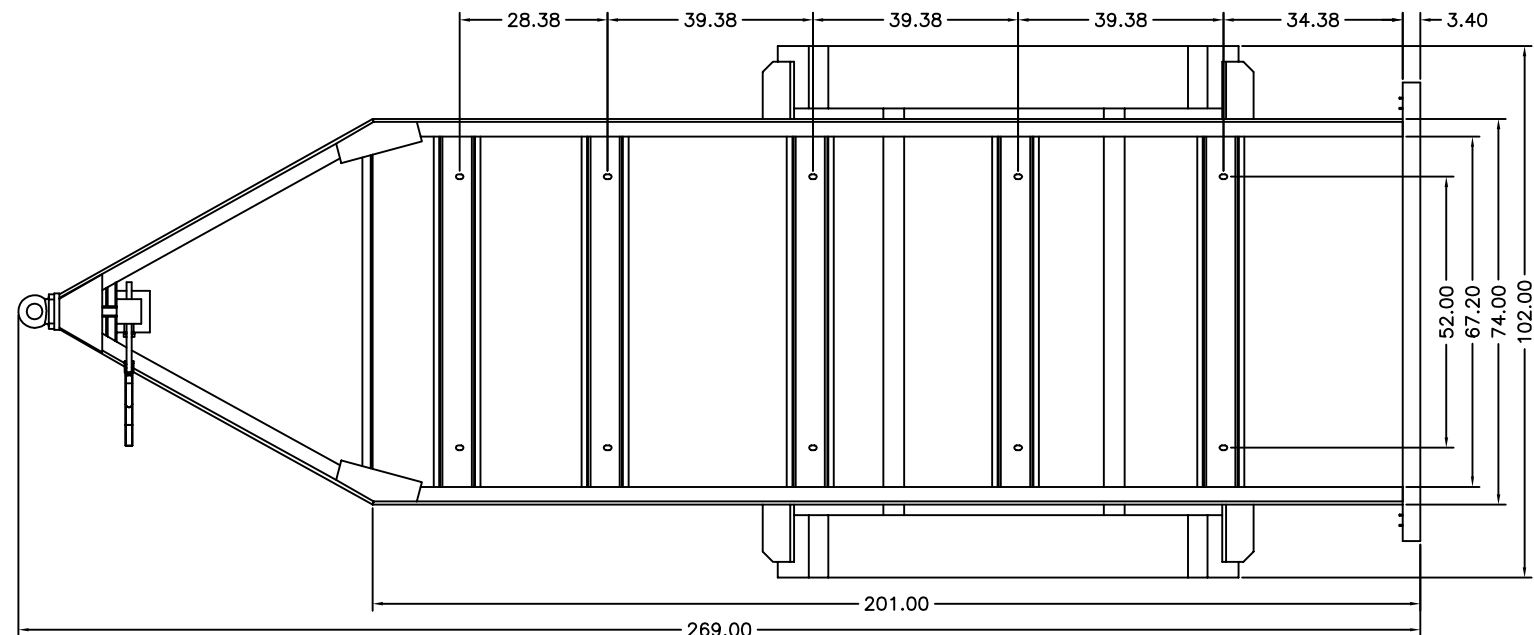


THIS DRAWING AND THE DATA DISCLOSED HEREIN OR HEREWITH IS CONFIDENTIAL AND PROPRIETARY AND IS NOT TO BE REPRODUCED, USED, OR DISCLOSED IN WHOLE OR IN PART TO ANYONE WITHOUT THE EXPRESSED WRITTEN PERMISSION OF MULTQUIP COMPANY.

DWG. NO.		200514		REVISION			
ZONE		LTR		DESCRIPTION		DATE	



MQ400EVSK	
LENGTH	269"
WIDTH	102"
FRAME WIDTH	74"
AXLE	10,000#, 8 ON 6-1/2" B.C. (QTY 2)
TIRES	11R17.5LRH, 5530# (QTY 4)
WHEELS	17.5 X 8.25 HC, 5,000# CAPACITY
GVWR	22,000#
JACK	12K STALLION
HITCH	3" ADJUSTABLE EYE

DERIVED FROM MIGHTY MOVER (MQ400EVSK)		MATERIAL		CUSTOMER		MQ POWER TEL: (310) 537-3700/FAX: (310) 632-2656 18910 WILMINGTON AVENUE CARSON, CA 90746	
REV	DATE	FINISH		APPROVALS	DATE		
CAD CODE 200514		DO NOT SCALE DRAWING		DRAWN J. TRAN CHECKED J. ROSE SALESMAN	11-26-01	OUTLINE - TRAILER MQ400EVSK	
				SIZE D		FSCM NO. 200514	
				SCALE 1 = 18		DWG. NO. 200514 SHEET 1 / 1	

DWG. NO. 200514