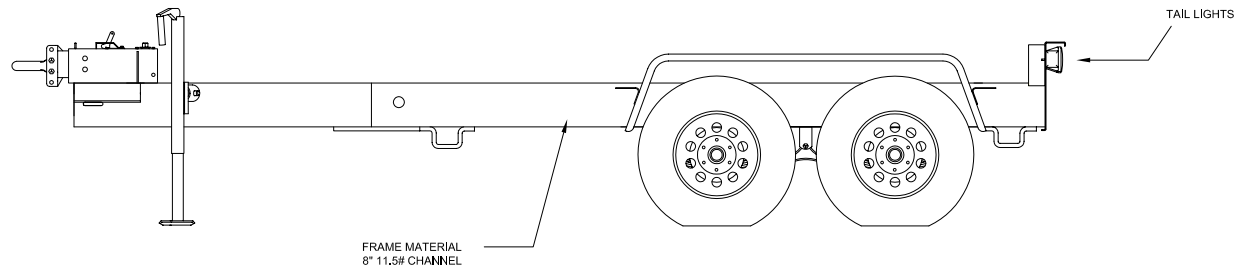
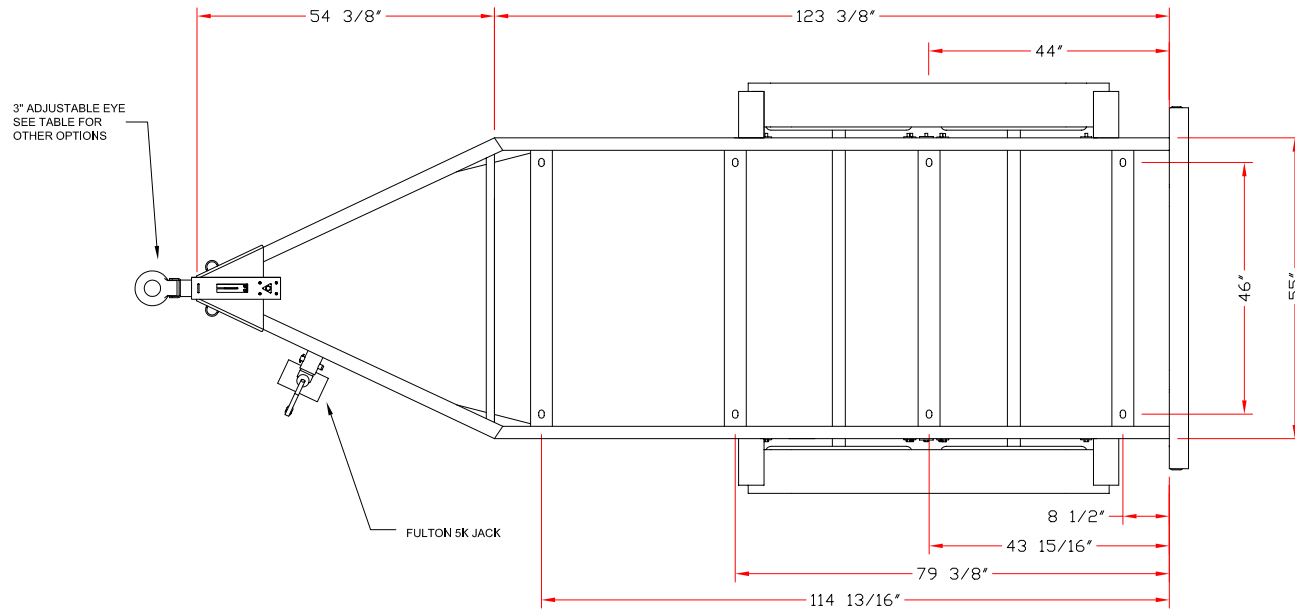


125US GENERATOR TRAILER	
LENGTH	192-5/8'
WIDTH	75'
FRAME WIDTH	55'
FRAME MATL	8" x 11.5# CHANNEL
CROSS MEMBERS	4
AXLE	(2) 5,200 LB RATING
TIRES	(4) ST225/75R-15D, 2,640# RATING
GVWR	9,990 LBS.
JACK	5K FULTON JACK
BRAKES (STD.)	12" HYD. W/ HYDRAULIC SURGE ACTUATOR
BRAKES (OPT.)	12" ELECTRIC



HITCH OPTIONS	
3" ADJUSTABLE EYE (P/N 16137-00)	SHOWN
2" BALL COUPLER (P/N 31080-C HD)	
2-5/16" BALL COUPLER (P/N 18820-00)	

**PROPRIETARY**

**NOT FOR DISTRIBUTION**

PROPERTY OF:

MIGHTY MOVER TRAILERS, INC.  
224 N SHERMAN AVENUE  
CORONA, CA 92882-1843  
(909) 736-0225 (800) 920-2233

**SHOP SPECIFICATIONS FOR:**

**125 US**

**MODEL 31000-00 - FRAMING PLAN  
TRAILER**

**P/N 31000-00**

**REFERENCE INFO.**

DRAWING NO.: 125US 01

SERIES NO.:

MODEL: 31000-00

START DATE:

PLOT DATE: 04/04/04

DRAWN BY: B. WOOD

**REVISION BLOCK**

DESCRIPTION	NO.	BY	DATE
	1		
	2		
	3		
	4		
	5		