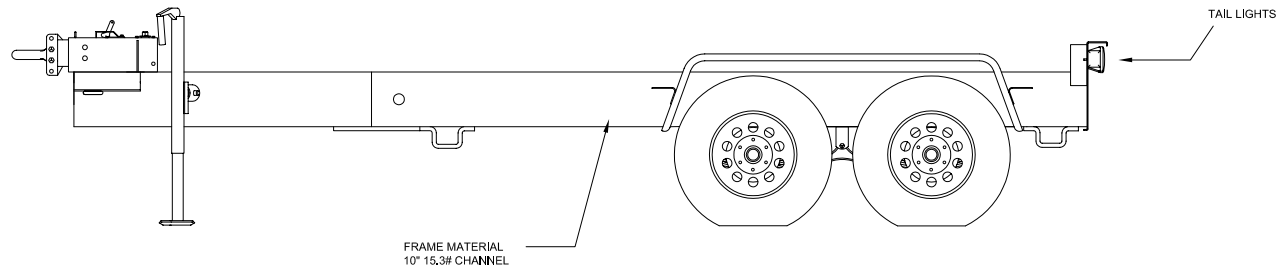
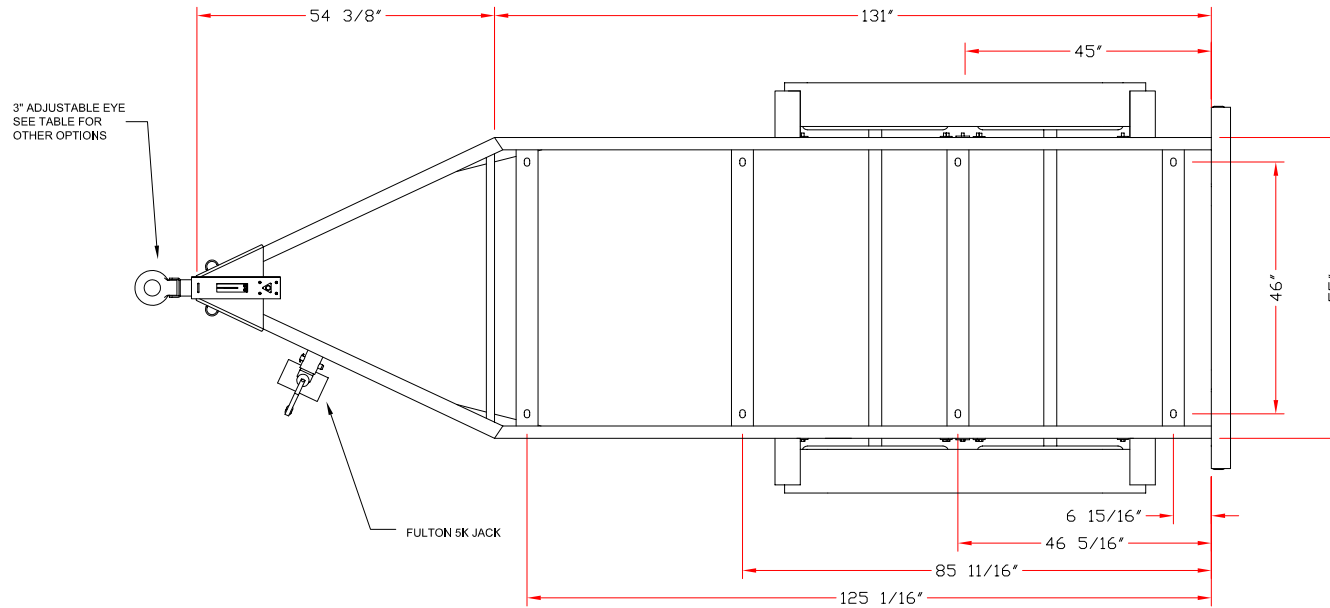


150US GENERATOR TRAILER	
LENGTH	200'
WIDTH	75'
FRAME WIDTH	55'
FRAME MATL	10" x 15.3# CHANNEL
CROSS MEMBERS	4
AXLE	(2) 5,200 LB RATING
TIRES	(4) ST225/75R-15D, 2,640# RATING
GVWR	9,990 LBS.
JACK	5K FULTON JACK
BRAKES (STD.)	12" HYD. W/ HYDRAULIC SURGE ACTUATOR
BRAKES (OPT.)	12" ELECTRIC



HITCH OPTIONS	
3" ADJUSTABLE EYE (P/N 16137-00)	SHOWN
2" BALL COUPLER (P/N 31080-C HD)	
2-5/16" BALL COUPLER (P/N 18820-00)	

PROPRIETARY

NOT FOR DISTRIBUTION

PROPERTY OF:

MIGHTY MOVER TRAILERS, INC.
 224 N SHERMAN AVENUE
 CORONA, CA 92882-1843
 (909) 736-0225 (800) 920-2233

SHOP SPECIFICATIONS FOR:

150 US

**MODEL 31000-00 - FRAMING PLAN
 TRAILER**

P/N 31000-00

REFERENCE INFO.

DRAWING NO.: 125US 01

SERIES NO.:

MODEL: 31000-00

START DATE:

PLOT DATE: 04/04/04

DRAWN BY: B. WOOD

REVISION BLOCK

DESCRIPTION	NO.	BY	DATE
	1		
	2		
	3		
	4		
	5		